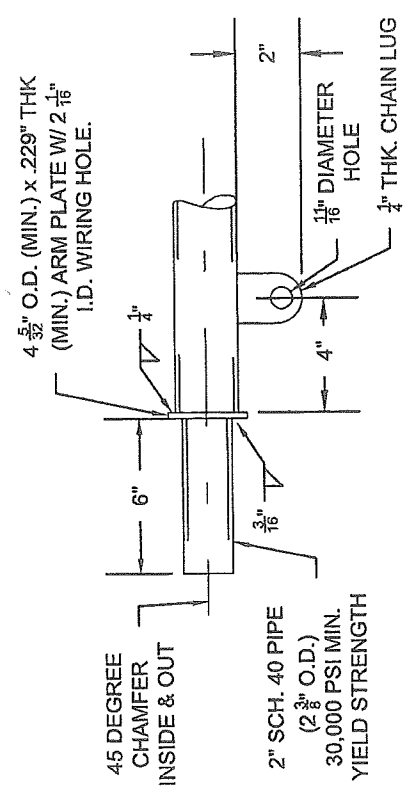
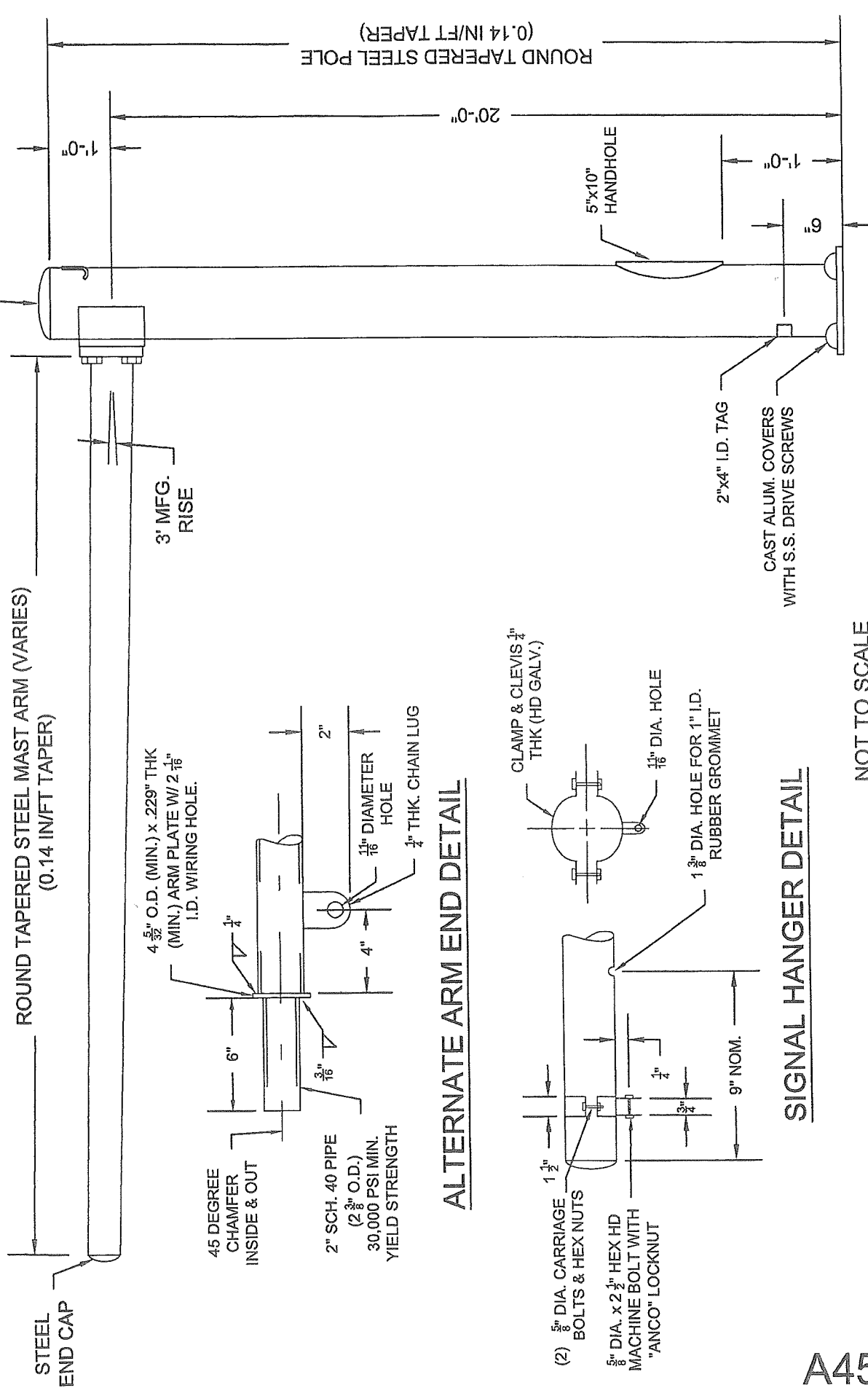
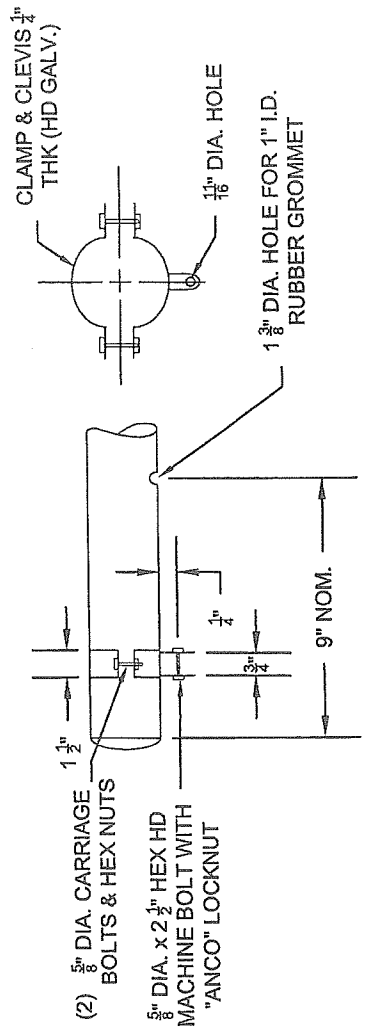


DATE: 11/10/98; REV. 5/11/16

# STEEL MAST ARM DETAIL



## ALTERNATE ARM END DETAIL



## SIGNAL HANGER DETAIL

NOT TO SCALE