



EXISTING GARAGE DOOR IMAGES



#58 MT. VERNON ST.  
BEACON HILL  
BOSTON, MA  
REPLACEMENT  
GARAGE DOOR

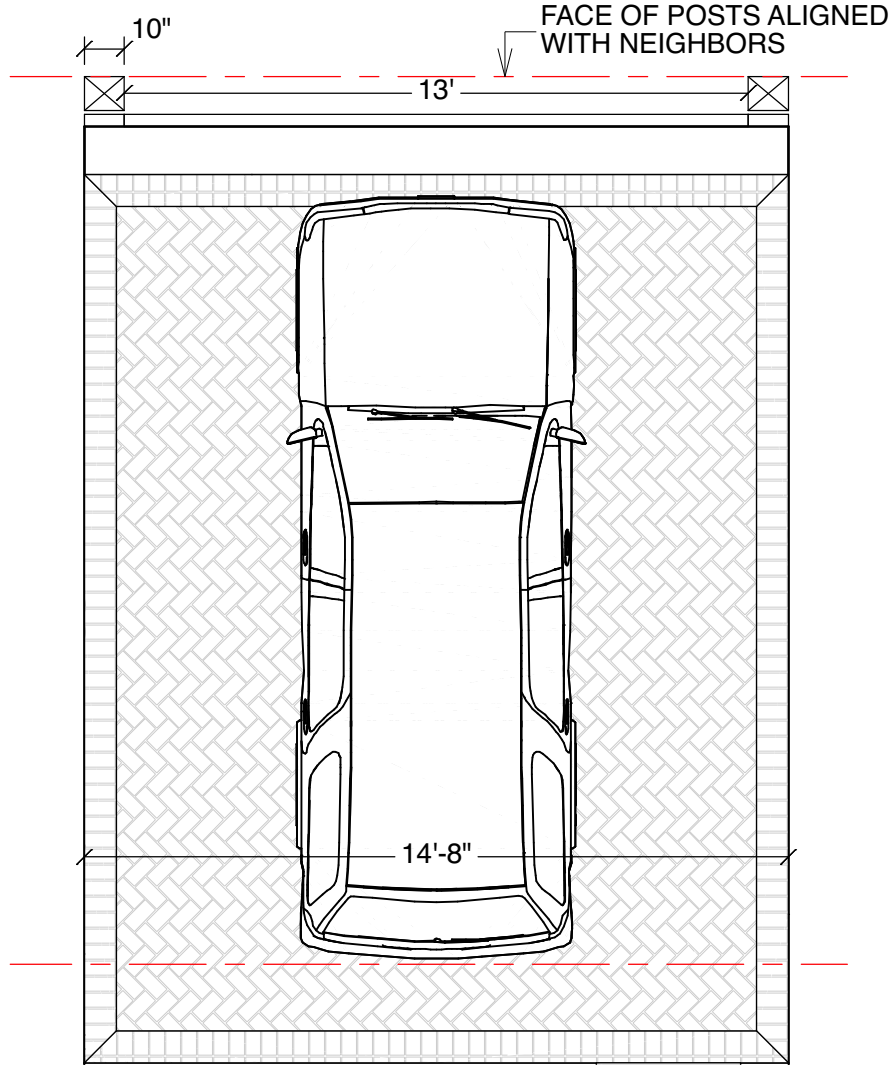
DATE:  
3/26/19

SCALE:

DUSTIN NOLIN R.A.  
745 BOYLSTON STREET  
7th FLOOR  
BOSTON, MA 02116  
781.718.8009  
dustin@dna-architecture.com

**DNA**  
ARCHITECTURE

**A1**



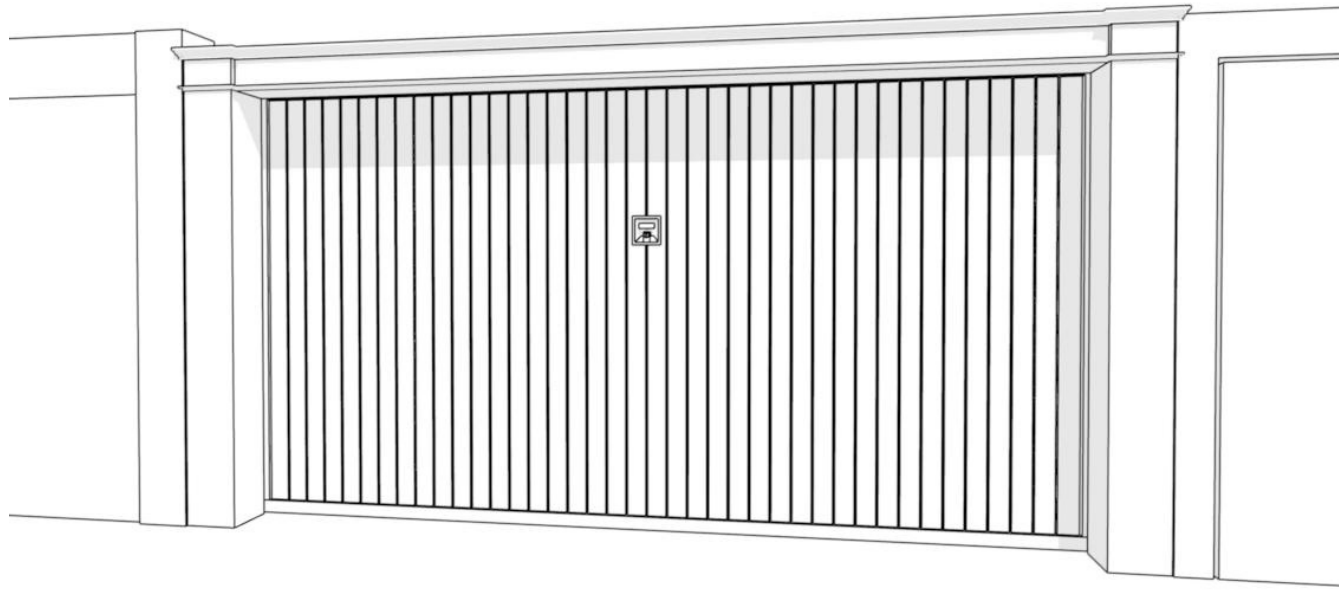
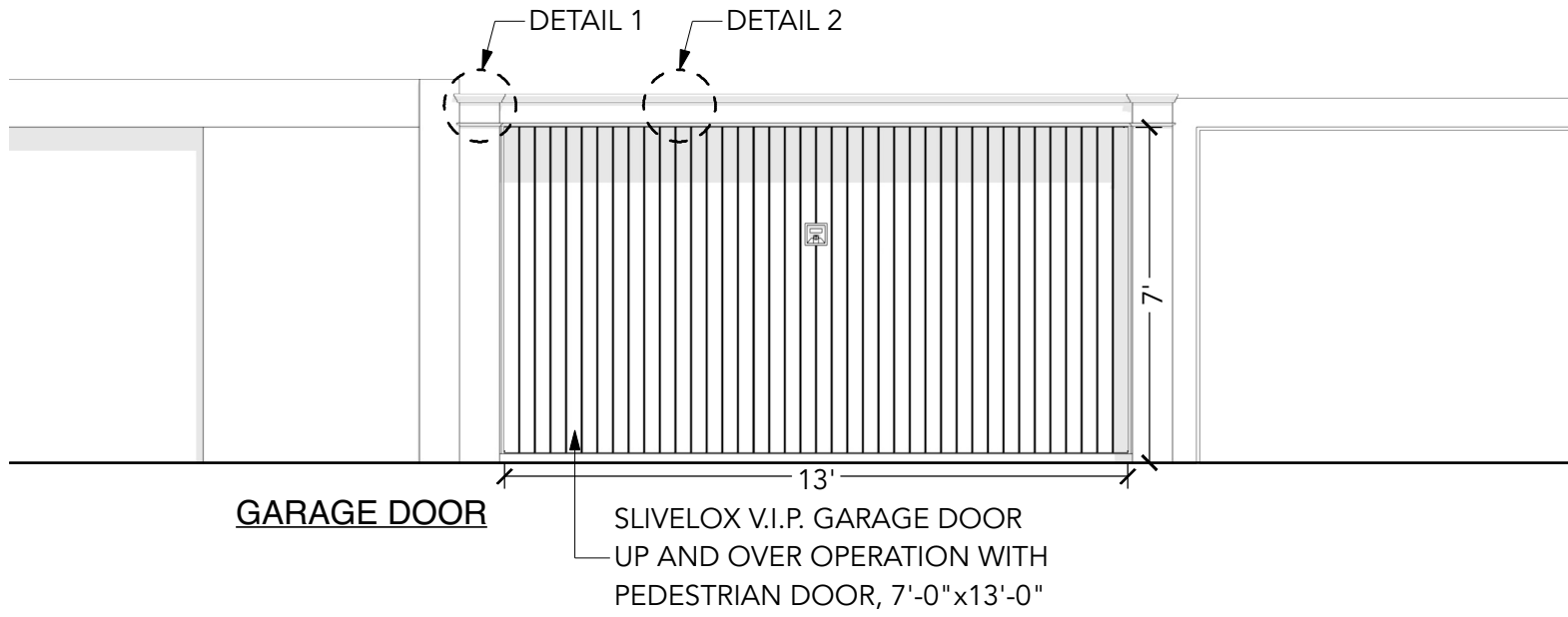
**GARAGE DOOR PLAN**

#58 MT. VERNON ST.  
 BEACON HILL  
 BOSTON, MA  
 REPLACEMENT  
 GARAGE DOOR

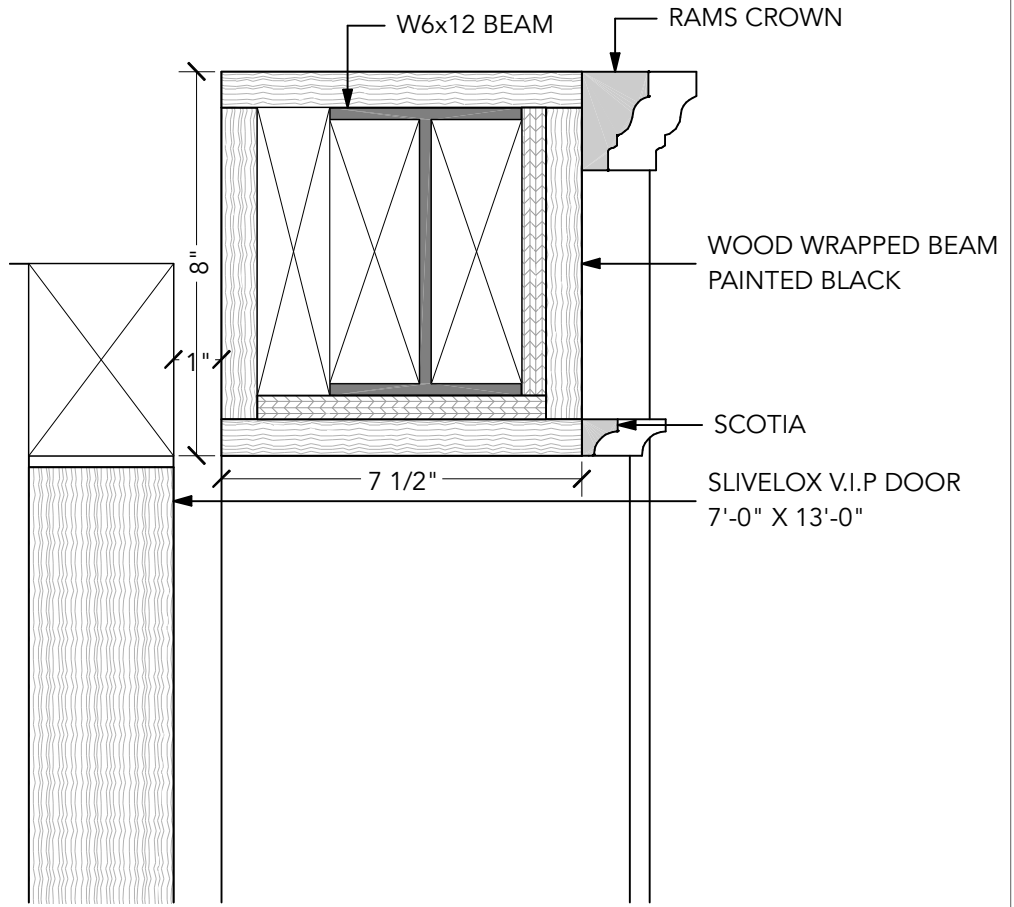
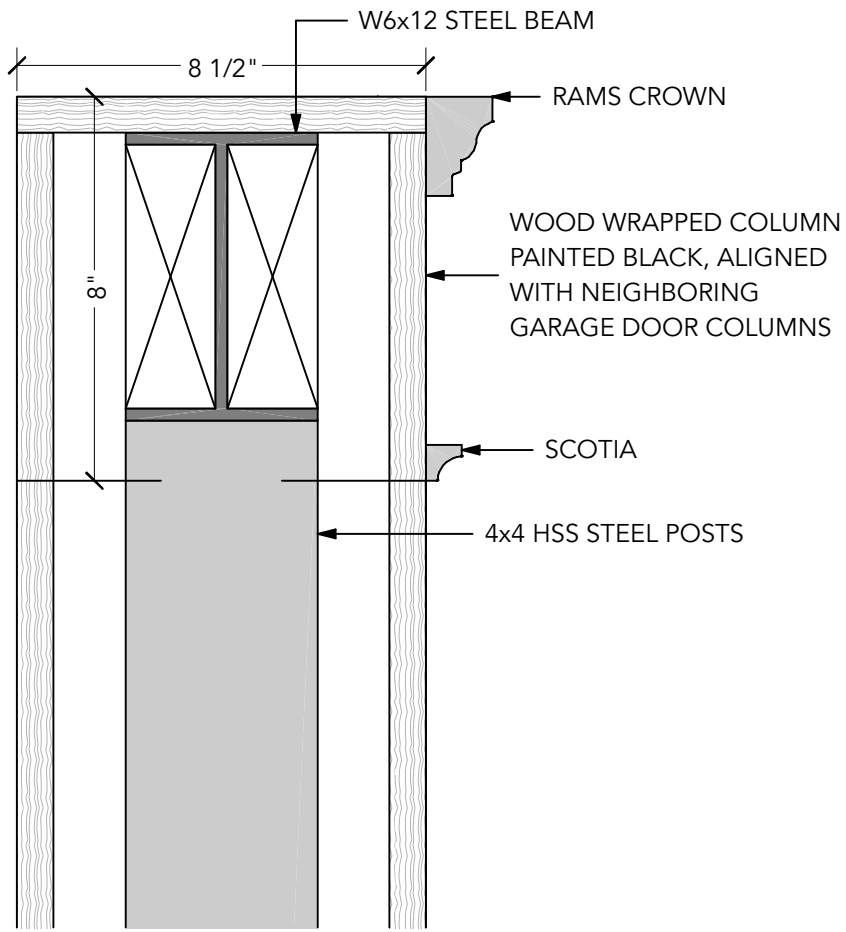
SCALE:  
 1/4" = 1'-0"

DATE:  
 3/26/19

**A2**



**GARAGE DOOR PERSPECTIVE**



DETAIL 1

DETAIL 2



GARAGE DOOR RENDERING

#58 MT. VERNON ST.  
BEACON HILL  
BOSTON, MA  
REPLACEMENT  
GARAGE DOOR

SCALE:

DATE:  
3/26/19

A5

DUSTIN NOLIN R.A.  
745 BOYLSTON STREET  
7th FLOOR  
BOSTON, MA 02116  
781.718.8009  
dustin@dna-architecture.com

**DNA**  
ARCHITECTURE

Un classico intramontabile dove l'accostamento di doghe verticali esprime sobrietà e tradizione.

Questo modello è disponibile anche con doghe passo 100 mm - Modello DOC o con inserti in acciaio Inox

An everlasting classic where vertical section show sobriety and tradition.

This model is also available with 100 mm wide sections - Doc Model or with stainless-steel inserts.



legno:  
Okoumé  
finitura:  
Noce

wood:  
Okoumé  
finish:  
Walnut  
handle:  
Platinbronze



Maniglia per porta per garage.  
Garage door external handle.



**SLIVELOX GARAGE DOOR**  
V.I.P. (V-GROOVE)  
PAINTED BLACK  
BRONZE HARDWARE

#58 MT. VERNON ST.  
BEACON HILL  
BOSTON, MA  
REPLACEMENT  
GARAGE DOOR

SCALE:

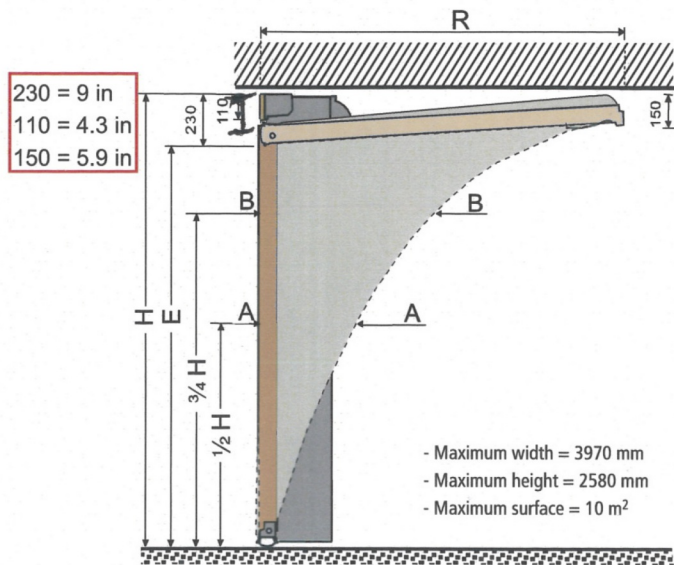
DATE:  
3/26/19

A6

**DNA**  
ARCHITECTURE

DUSTIN NOLIN R.A.  
745 BOYLSTON STREET  
7th FLOOR  
BOSTON, MA 02116  
781.718.8009  
dustin@dna-architecture.com

Non protruding leaf (on request)



- Sizes in millimetres.
- During lifting the leaf trajectory does not exceed the external frame size of the door (H).

**SLIVELOX GARAGE DOOR  
UP AND OVER OPERATION**

Proposed size: 13 feet (156 Inches) x 7 feet (84)

H	A-A	1/2H	B-B	3/4H	R	E
1980	520	990	980	1480	1900	1750
2030	530	1015	1005	1520	1950	1800
2080	540	1040	1030	1560	2000	1850
2130	550	1065	1055	1600	2050	1900
2180	560	1090	1080	1640	2100	1950
2230	570	1115	1105	1670	2150	2000
2280	580	1140	1130	1710	2200	2050
2330	590	1165	1155	1750	2250	2100
2380	600	1190	1180	1790	2300	2150
2430	610	1215	1205	1820	2350	2200
2480	620	1240	1230	1860	2400	2250
2530	630	1265	1255	1900	2450	2300
2580	640	1290	1280	1940	2500	2350

H	A-A	1/2H	B-B	3/4H	R	E
93.7	*23.6	*46.8	*46.4	*70.5	*90.5	*84.6

#58 MT. VERNON ST.  
BEACON HILL  
BOSTON, MA  
REPLACEMENT  
GARAGE DOOR

SCALE:

DATE:  
3/26/19

A7

DUSTIN NOLIN R.A.  
745 BOYLSTON STREET  
7th FLOOR  
BOSTON, MA 02116  
781.718.8009  
dustin@dna-architecture.com

**DNA**  
ARCHITECTURE