



First Church in Roxbury
Landscape Project
February 26, 2019







View of First Church from Roxbury Street



Approach from Dudley Street Gates



Existing Parking (view from Dudley Street Gates)

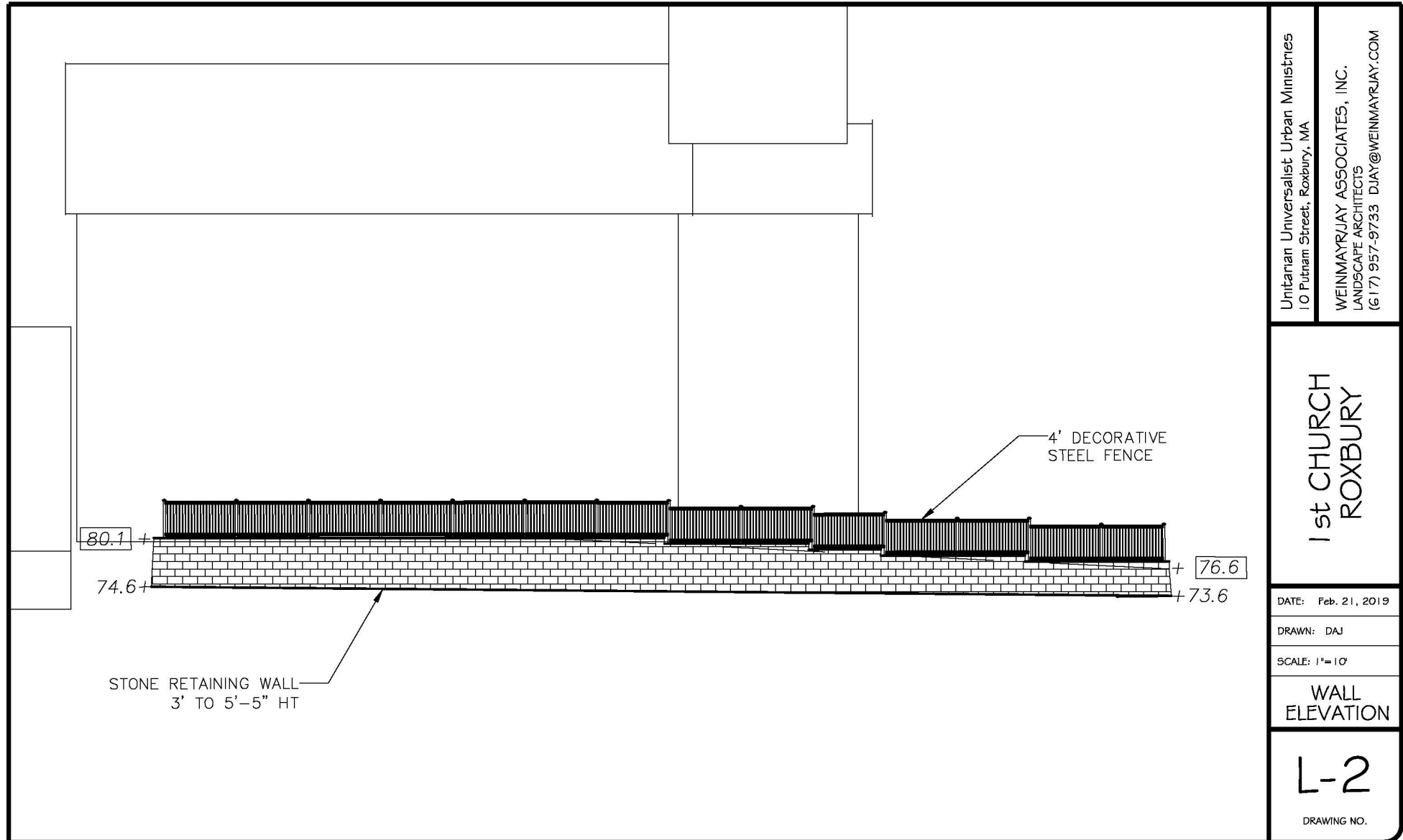




Existing Parking
(views from John Eliot Sq. and
Roxbury Street sides of lot)



Retaining Wall Elevation



Alternative wall and brick materials



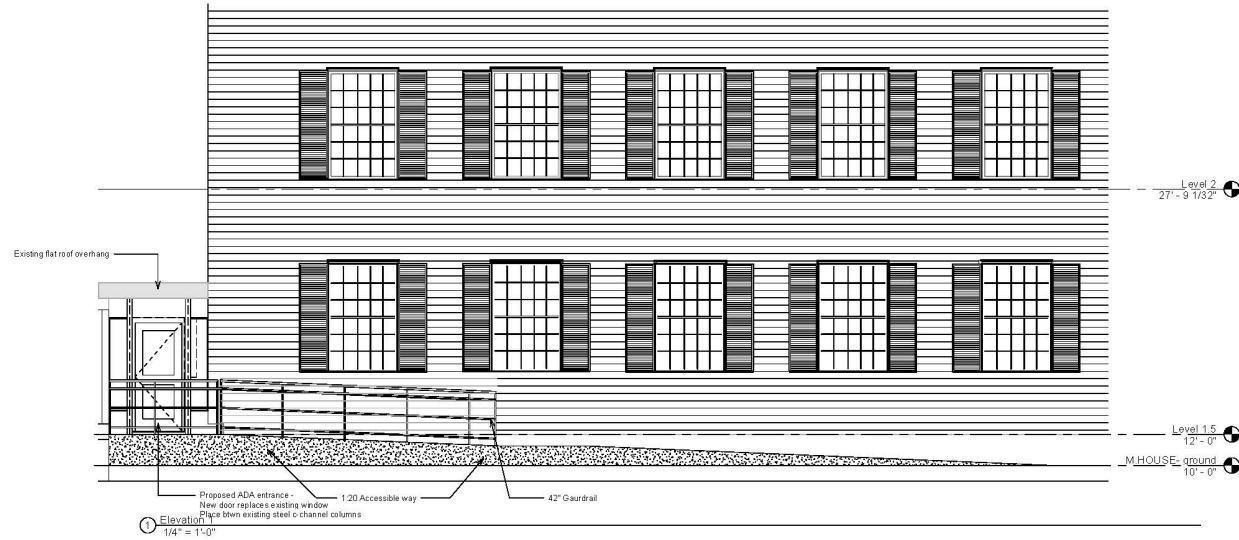
Accessible Entrance Ramp Location







PROJECT: **UUUM- ADA**
PROJECT ADDRESS: **UUUM ADA Renovation**
10 Putnam St
TAX ASSESSOR PARCEL #: **1402925000**
ARCHITECT + GC: **Placetailor Inc.**
100A WARREN ST
SUITE 3
ROXBURY MA 02119
CLIENT: **UUUM**
10 Putnam St
Roxbury MA
02119



DATE: **02/07/2017**

**DRAFT
PROGRESS
PRINT**

MARK	DATE	DESCRIPTION

DRAWN BY: Author
CHECKED BY: Checker
COPYRIGHT: PLACETAIIOR INC.
2/21/2019 11:34:03 AM

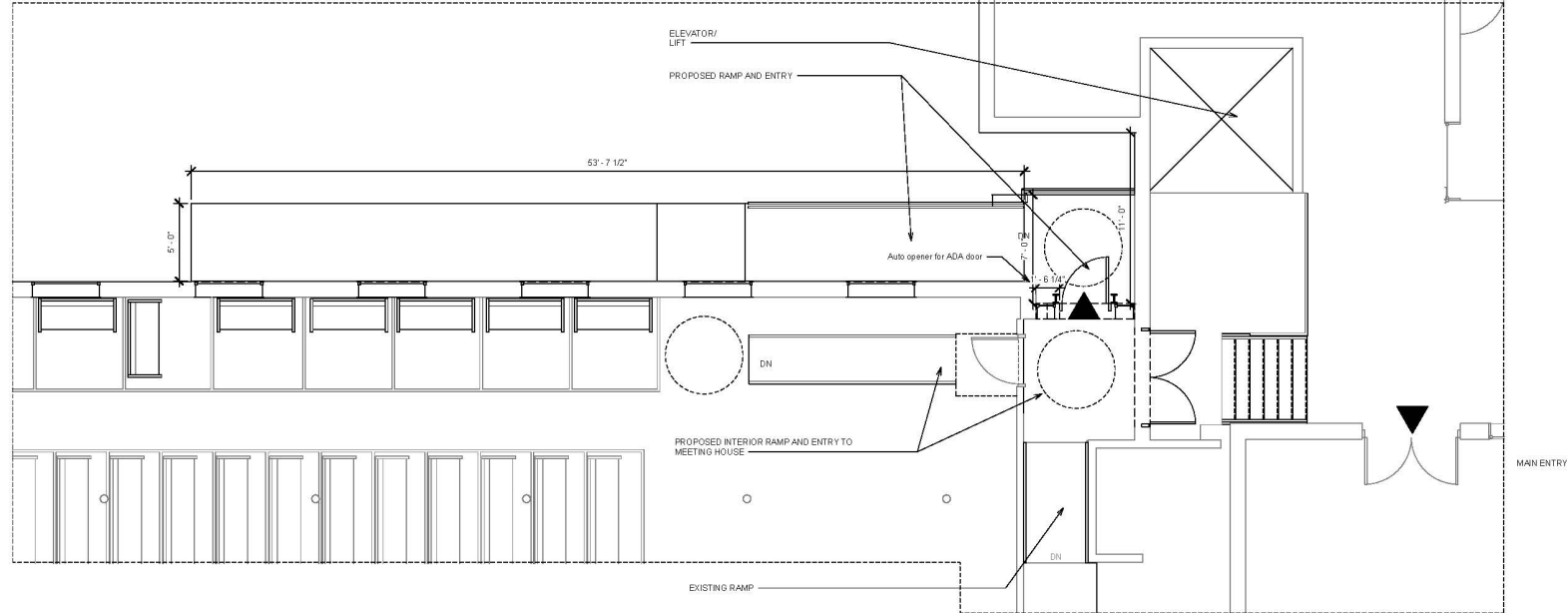
North Elevation

A.301

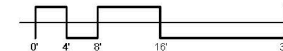
2/21/2019 11:34:03 AM



PROJECT: **UUUM- ADA**
PROJECT ADDRESS: **UUUM ADA Renovation**
10 Putnam St
TAX ASSESSOR PARCEL #: **1402925000**
ARCHITECT + GC: **Placetailor Inc.**
100A WARREN ST
SUITE 3
ROXBURY MA 02119
CLIENT: **UUUM**
10 Putnam St
Roxbury MA
02119



2 ENLARGED ADA PLAN
1/4" = 1'-0"



DATE: 02/07/2017

**DRAFT
PROGRESS
PRINT**

MARK	DATE	DESCRIPTION

DRAWN BY: Author
CHECKED BY: Checker
COPYRIGHT: PLACETAAILOR INC.
2/21/2019 11:34:03 AM

ENLARGED PLAN

A.501

2/21/2019 11:34:03 AM

Historic Entry View



Detail of Entry





Brownstone Steps



Detail of Brownstone Steps



Door Elevation



⊙ Elevation 3 - a
1/2" = 1'-0"



PROJECT: **UUUM-ADA**
 PROJECT: **UUUM ADA Renovation**
 ADDRESS: **10 Park St**
 TAX ASSESSOR/PARCEL #: **1A02925000**
 ARCHITECT - GC: **Place After Inc.**
 10 Park St, 2nd Fl
 Boston, MA 02110
 CLIENT: **UUUM**
 10 Park St
 Boston, MA
 02110



DATE: 02/07/2017

**DRAFT
 PROGRESS
 PRINT**

MARK	DATE	DESCRIPTION

DRAWN BY: Actor
 CHECKED BY: Checker
 COPYRIGHT: PLACE AFTER INC.
 2/7/2017 11:43:24 AM

Door Elevation

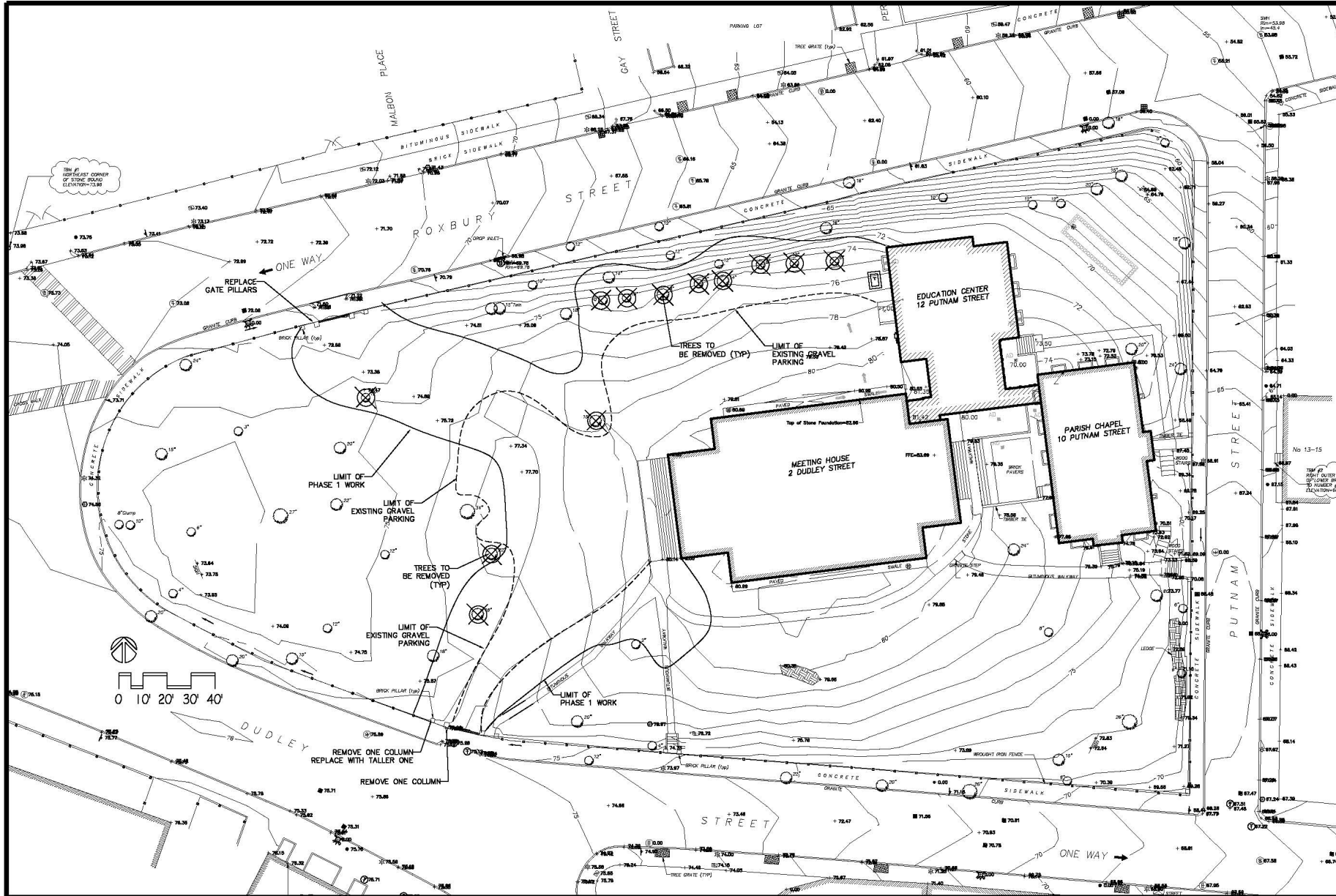
A.302

2/7/2017 11:43:24 AM

Dudley Street Gates



Visual of Demolition Plan



Unitarian Universalist Urban Ministries
 10 Putnam Street, Roxbury, MA
 WEINMAYRJAY ASSOCIATES, INC.
 LANDSCAPE ARCHITECTS
 760 Main Street Waltham, MA 02451
 djay@weinmayrjay.com (617) 957-9733

1st CHURCH ROXBURY

DATE: Feb. 21, 2019

DRAWN: DAJ

SCALE: 1"=40'

DEMOLITION PLAN

EC-1

DRAWING NO.

Roxbury Street Gates



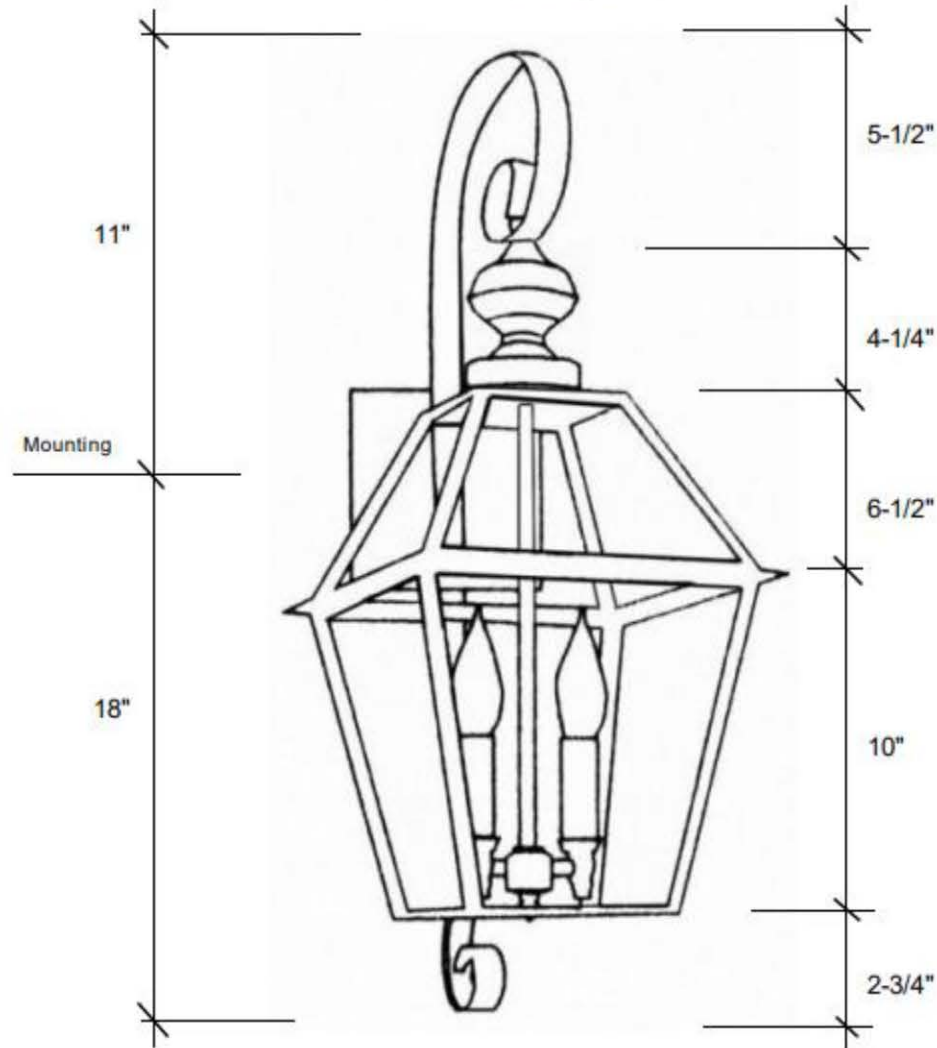
Harvard Gates



1



29" L x 11.75" W x 14" D



11.75" W X 29" H
14" EXT
2-60 WATT
DARK BRASS
CLEAR GLASS

www.pattibros.com

2



14" W X 29" H
4 CANDLES
CLEAR GLASS
DARK BRASS

\$1055.00

American Craftsmanship at its best.
www.pattibros.com



3

PIER MOUNT OPTIONS NEEDED FOR POST LANTERN



American Craftsmanship at its best.
www.pattibros.com