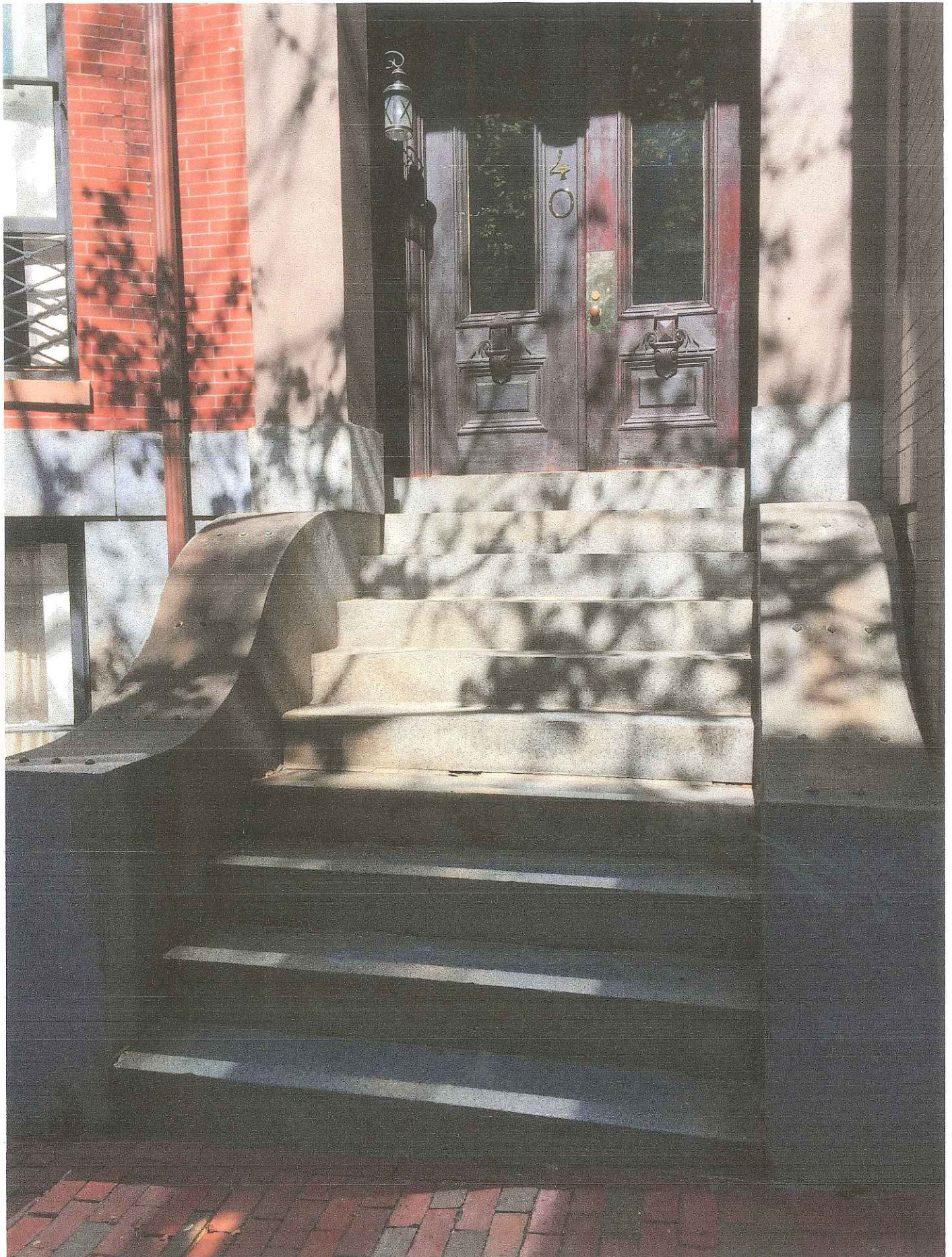




Google



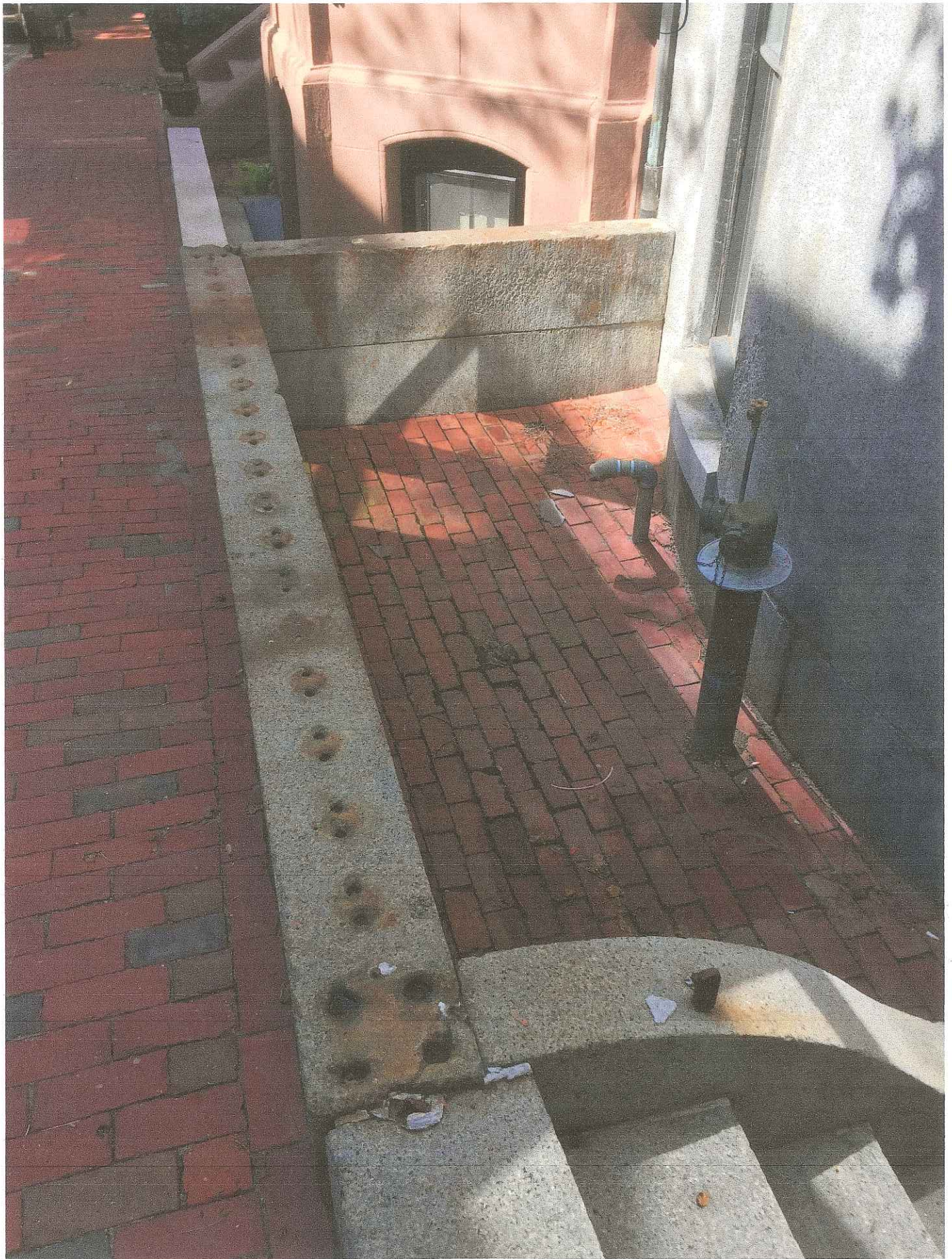
40 HANCOCK ST. Existing Conditions



[Quoted text hidden]

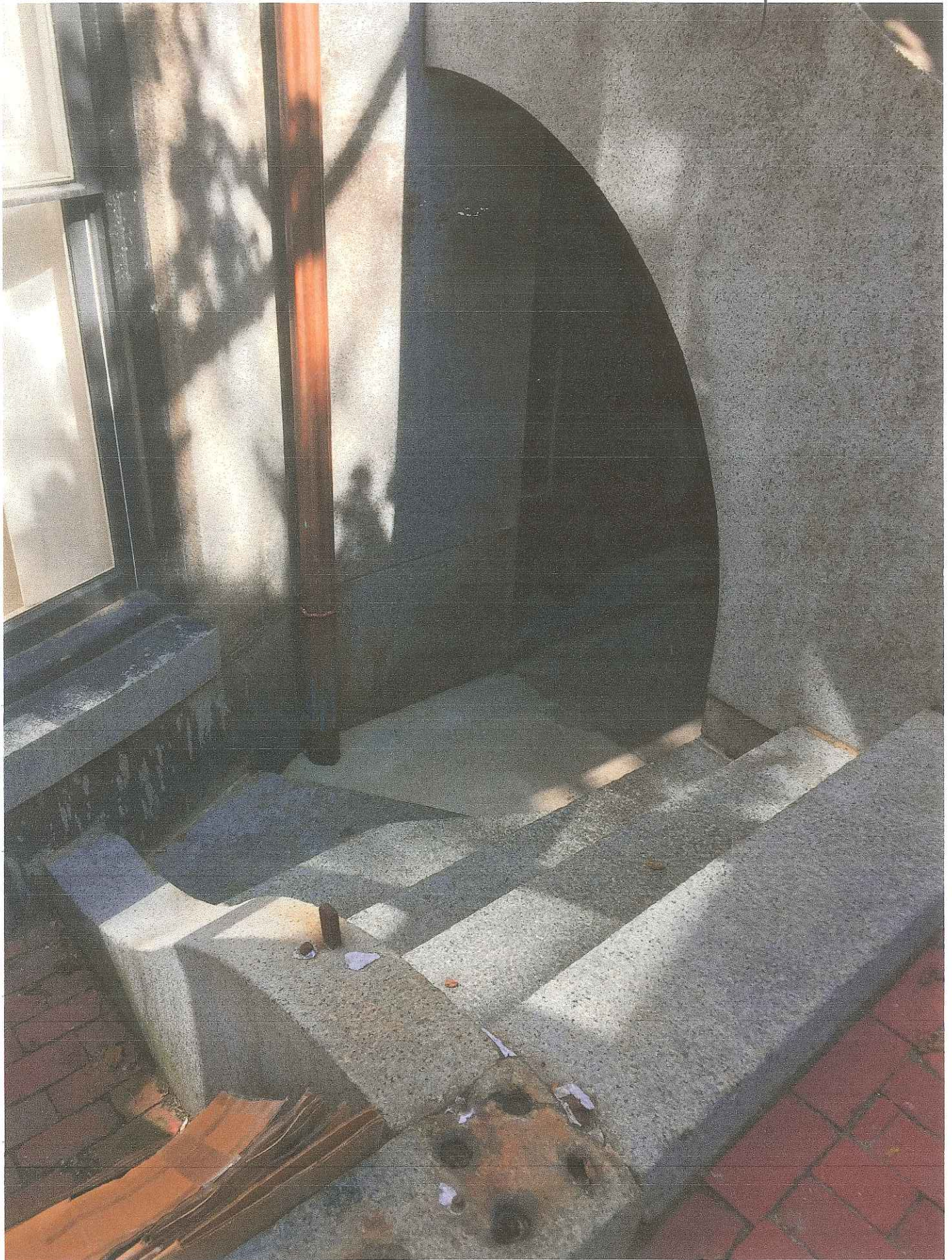


40 Hancock St. Existing Conditions





40 Hancock St. existing conditions







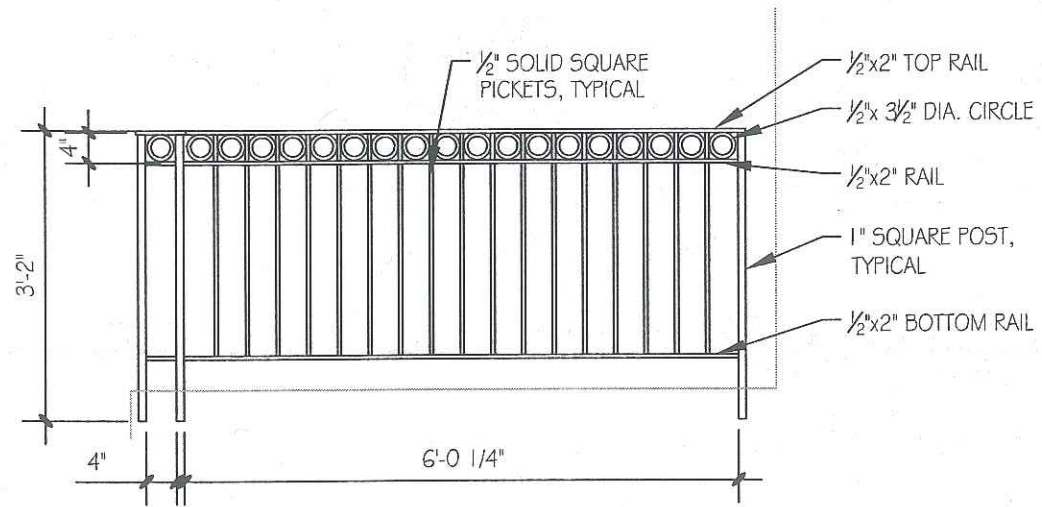


40 Hancock St. Comp Design

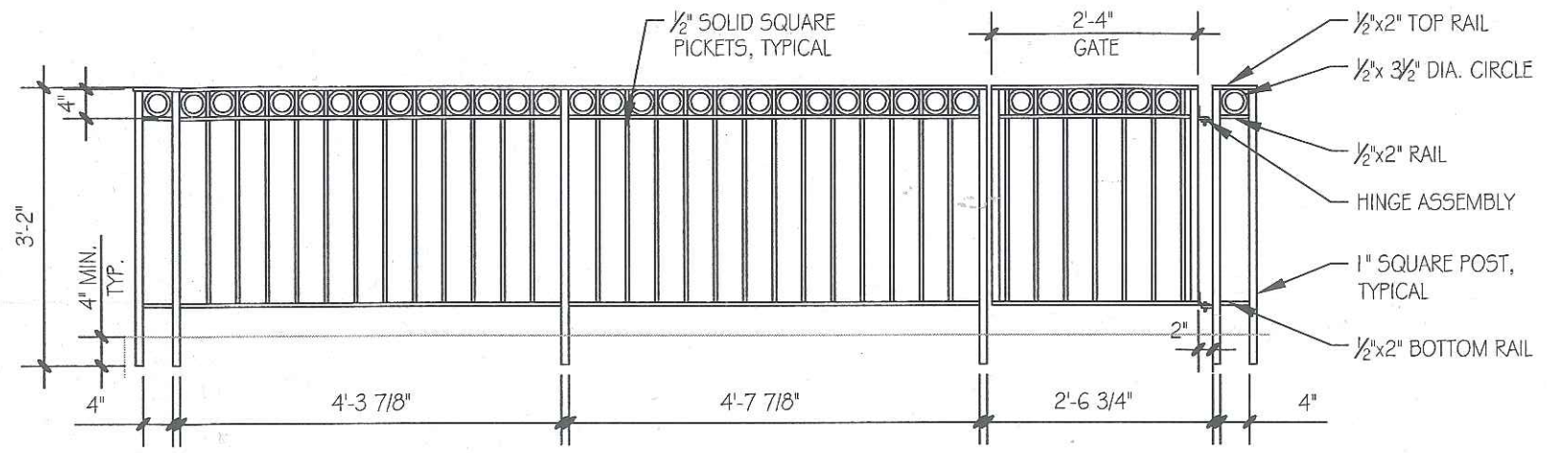


Railing design comp  
148 Cambridge St. Boston

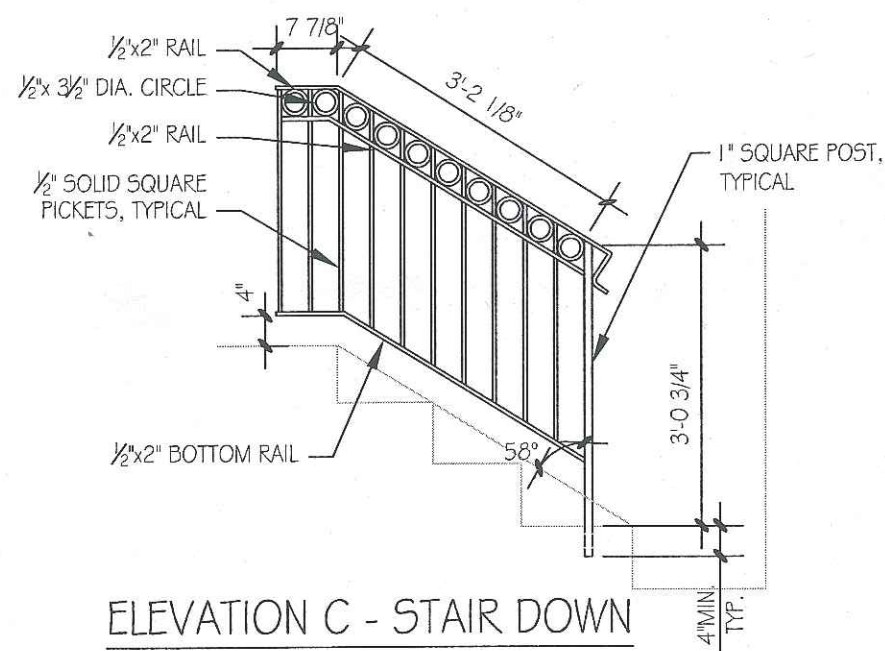




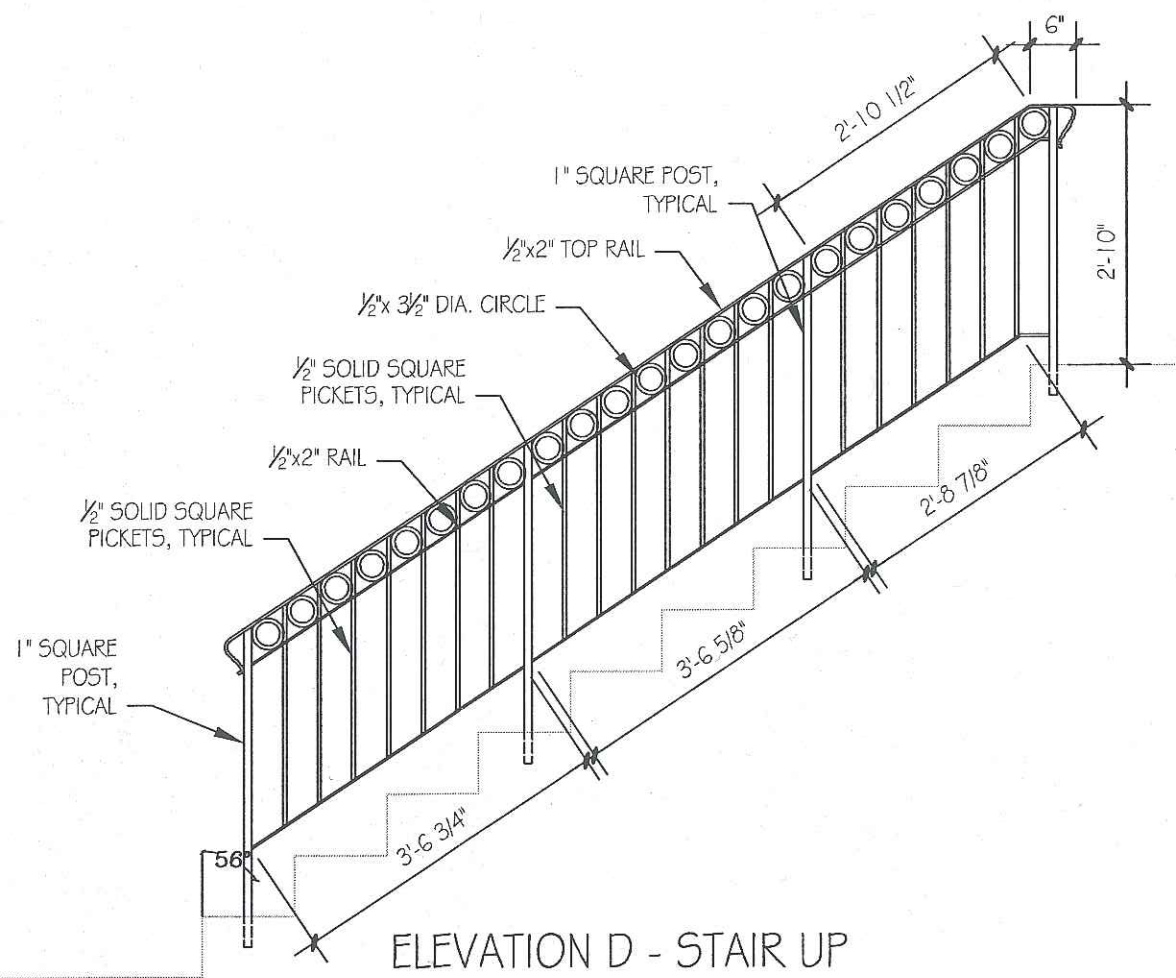
ELEVATION A



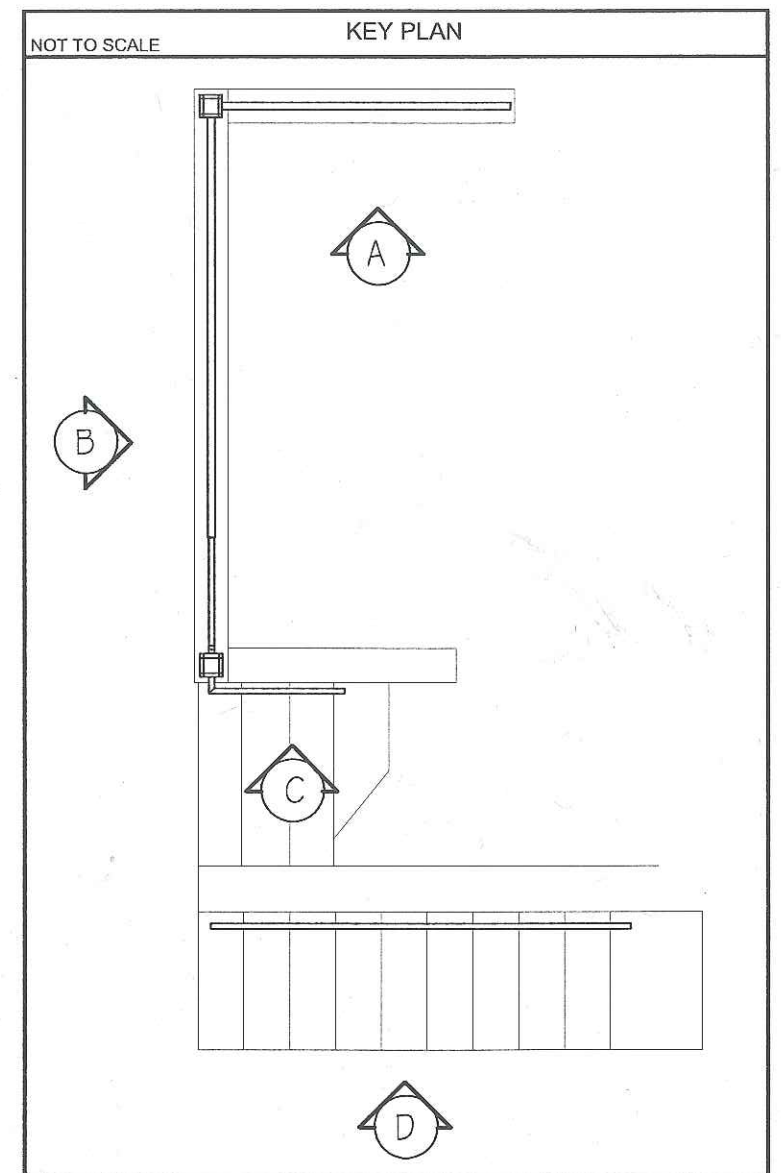
ELEVATION B



ELEVATION C - STAIR DOWN



ELEVATION D - STAIR UP



PROJECT: 40 HANCOCK STREET	DRAWING TITLE: SHOP DRAWING: RAILING ELEVATIONS	
DATE: 10/10/18	BY: Boston Forging and Welding Corp. 617-5672300	DWG. No. 1
SCALE: 1/2" = 1'-0"		