

EXISTING CONDITIONS

The Stone Residence





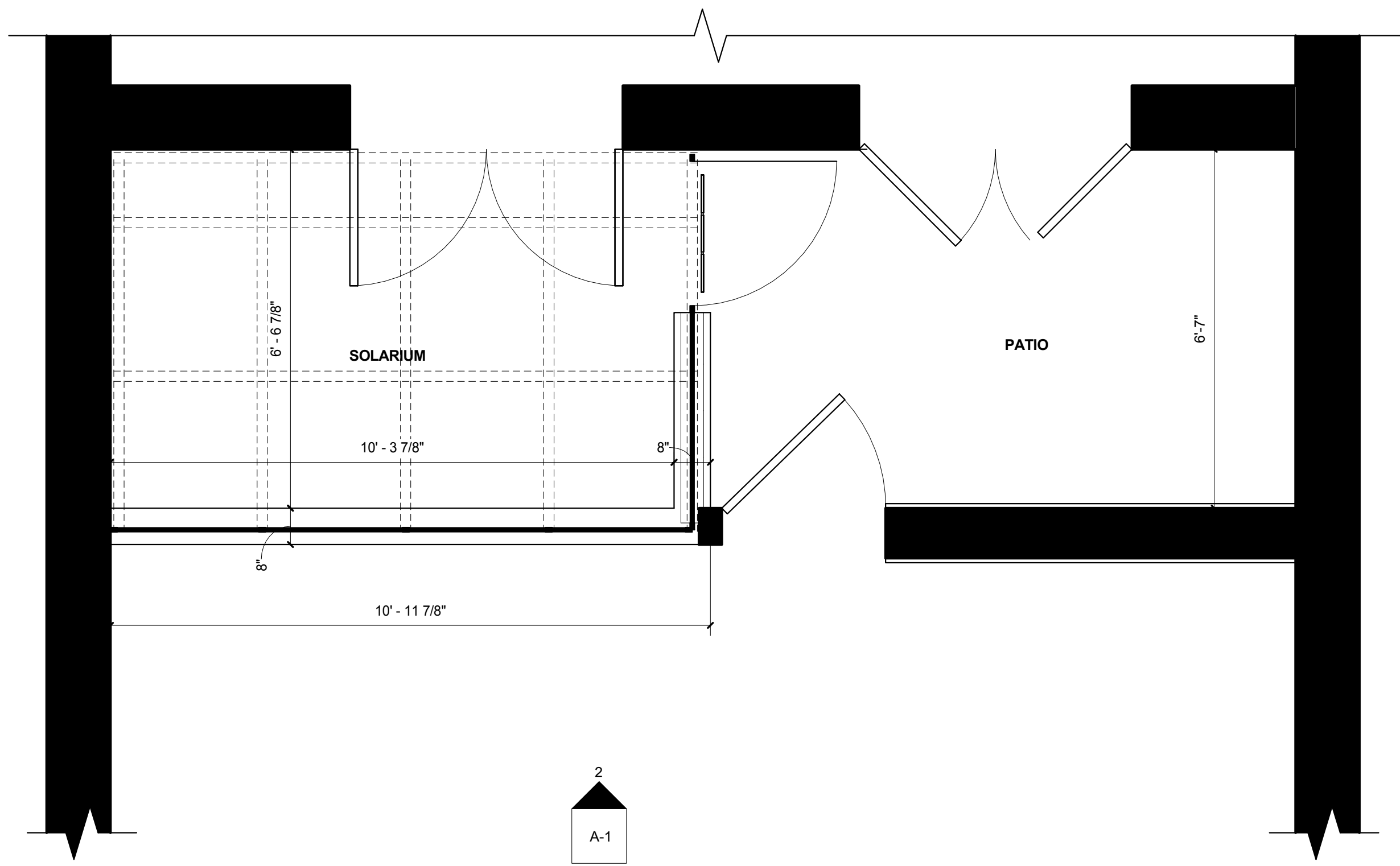
EXISTING GREENHOUSE



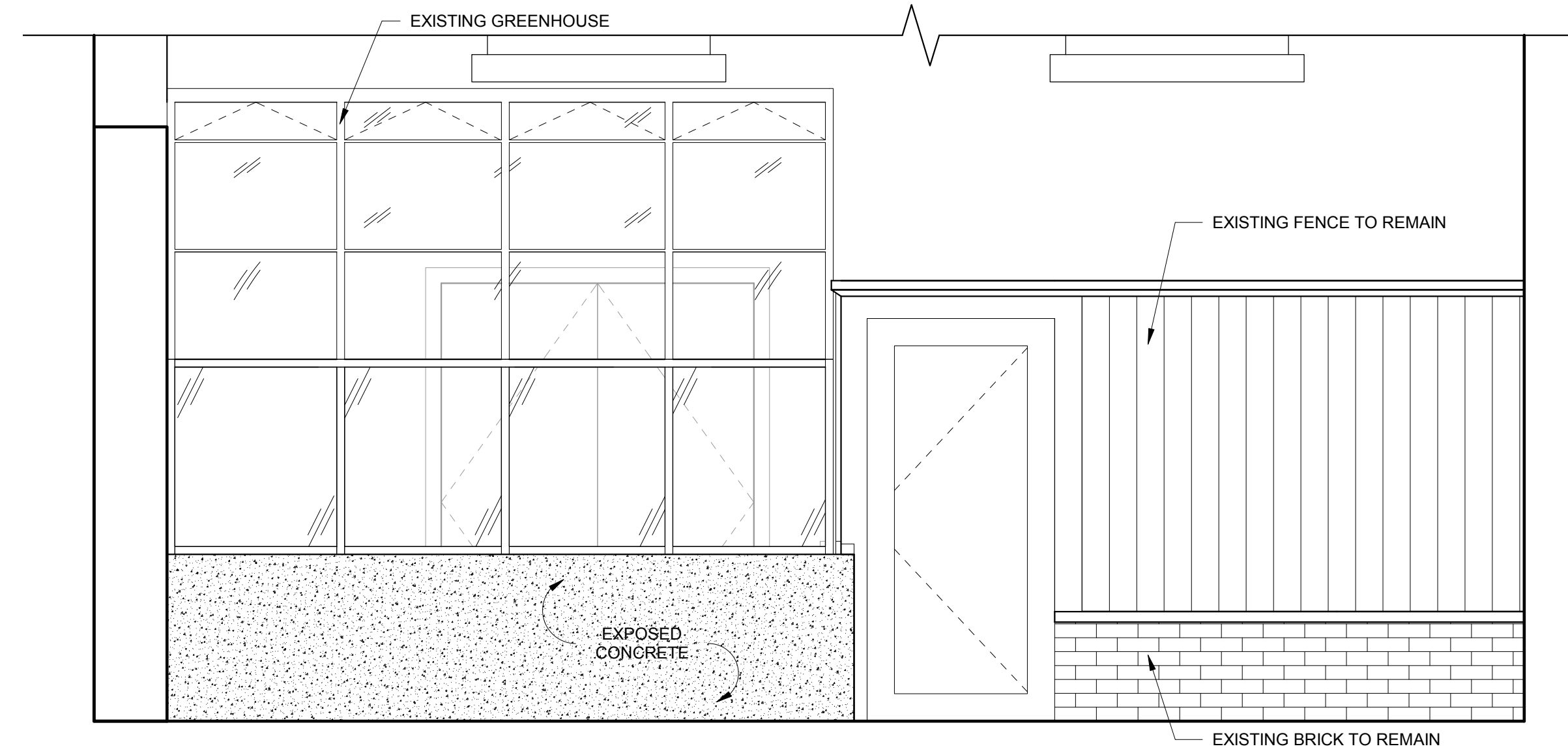
PROPOSED GREENHOUSE

EXISTING AND PROPOSED COMPARISON

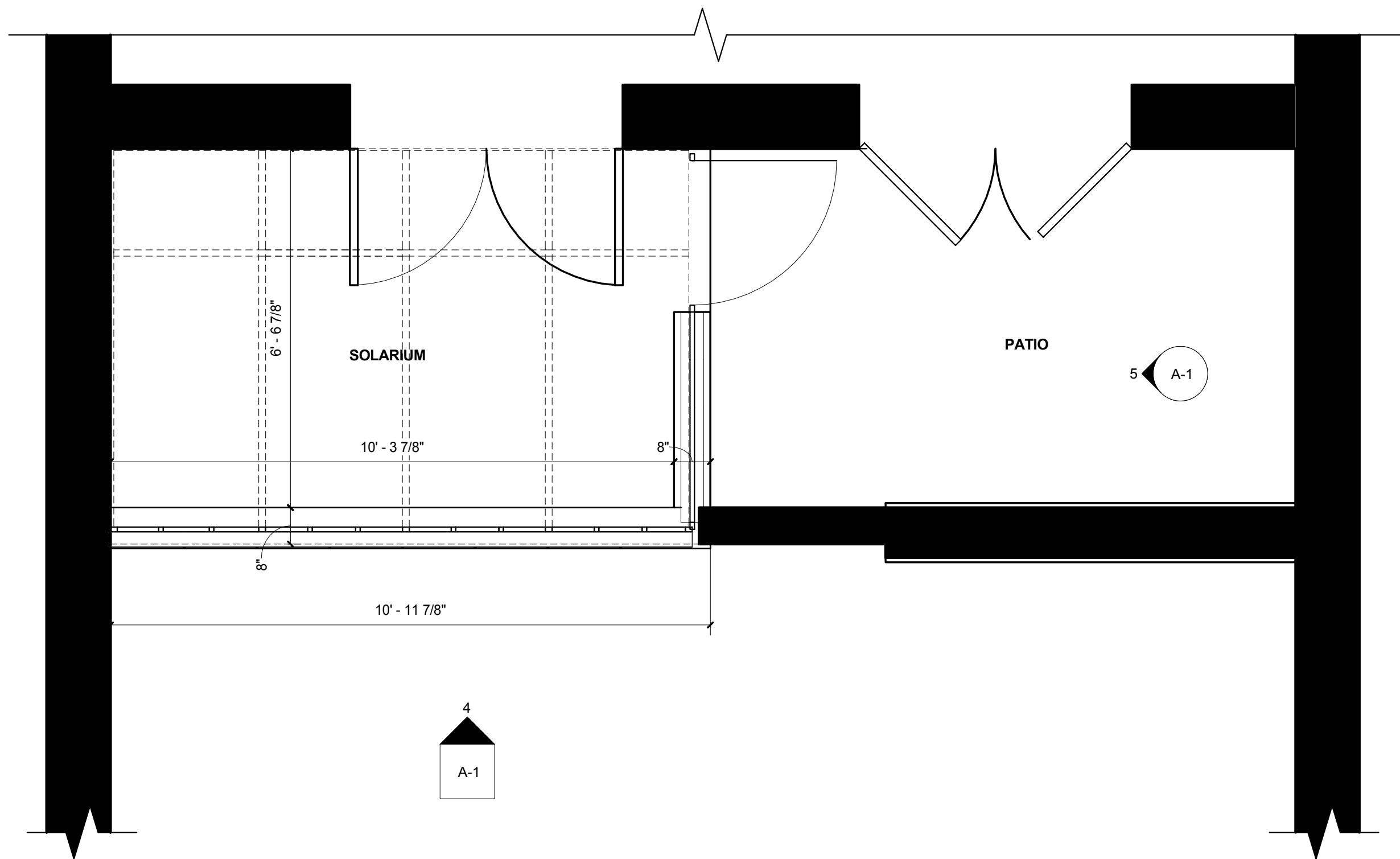




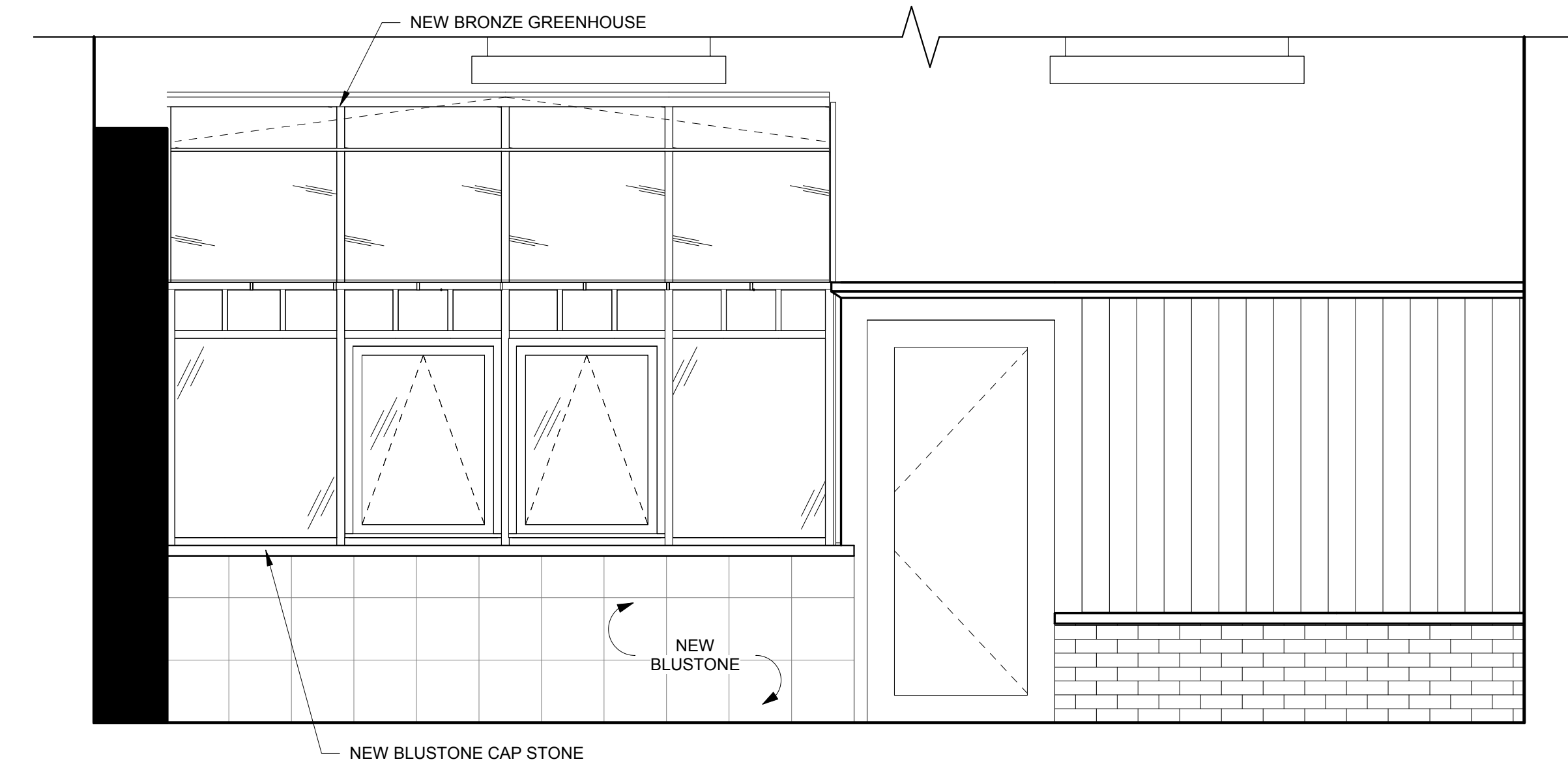
1 EXISTING FIRST FLOOR PLAN  
1/2" = 1'-0"



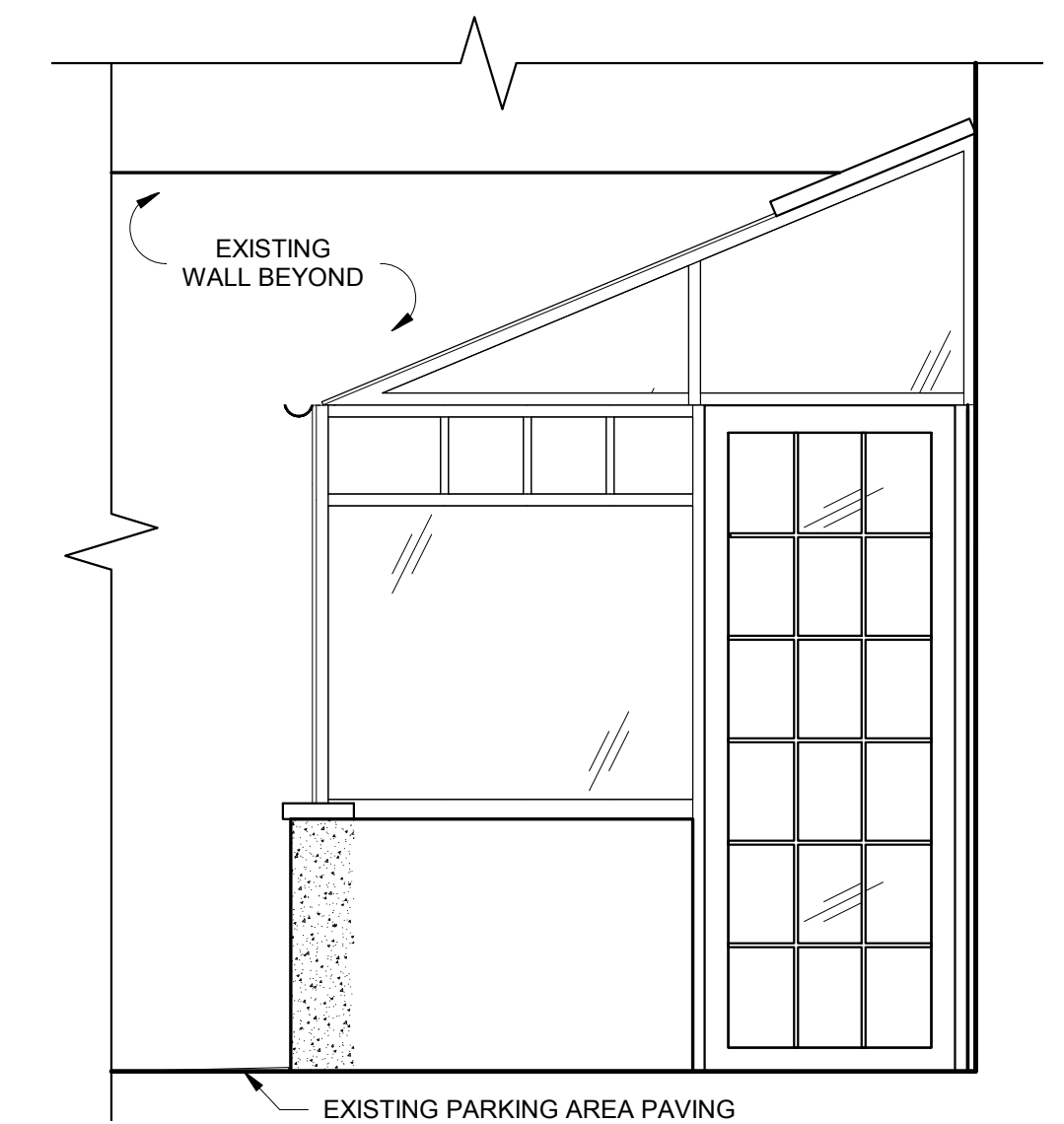
2 ELEVATION - EXISTING SHED  
1/2" = 1'-0"



3 FIRST FLOOR PARTITION PLAN  
1/2" = 1'-0"



4 ELEVATION - NEW SHED  
1/2" = 1'-0"



5 ELEVATION - NEW SHED SIDE DOOR  
1/2" = 1'-0"

# STONE 129 BEACON MA

ACCOUNT NAME & CONTACT INFORMATION  
**PETER AND BARBARA STONE**  
 129 BEACON STREET  
 BOSTON, MA 02116  
 PHONE: (203) 453-5499 FAX: N/A  
 EMAIL: N/A  
 CONTACT: PETER AND BARBARA STONE

SHIPPING ADDRESS  
**SHIP TO**  
 129 BEACON STREET  
 BOSTON, MA 02116

JOB SITE ADDRESS  
**JOB SITE**  
 129 BEACON STREET  
 BOSTON, MA 02116

TENTATIVE SHIPPING METHOD: SOLAR TRANSPORT

APPROVALS BY S.I. ACCOUNT REQUIRED DATE

DESIGN APPROVED BY: X  
 DIMENSIONS APPROVED BY: X  
 FRAME COLOR APPROVED BY: X  
 GLAZING TYPE APPROVED BY: X

**PRE-LIMINARY DRAFT,  
 NOT FOR SUBMITTALS**

REVIEW PRIOR TO APPROVING SHOP DRAWINGS

IMPORTANT NOTES:  
 IT IS PURCHASERS RESPONSIBILITY TO VERIFY ALL DESIGN ELEMENTS AND SYSTEM INTEGRATION TO SURROUNDING ARCHITECTURE.  
 ALL ELEVATIONS ARE VIEWED FROM THE OUTSIDE OF STRUCTURE LOOKING IN.

PLEASE VERIFY ALL INFORMATION BEFORE APPROVING DESIGN, INCLUDING ACCESSORY LOCATION, OPERATION & SWING (INCLUDING DOORS, WINDOWS, RIDGE VENTS, HEATERS, FANS, ETC.), OVERALL DESIGN & DIMENSIONS, FRAME COLOR, GLASS MAKE UP, SUBSTRATES, AND CONNECTION DETAILS.

FINAL DRAWINGS MUST BE APPROVED WITHOUT MODIFICATION IN ORDER TO PROCEED TO FABRICATION. IN THE EVENT OF ANY CHANGES BY CUSTOMER, NEW SHOP DRAWINGS MUST BE PREPARED, SUBMITTED, AND APPROVED. FOR EXAMPLE, "APPROVED AS NOTED" OR ANY OTHER MODIFICATIONS TO DO NOT CONSTITUTE FINAL APPROVED SHOP DRAWINGS. PLEASE NOTE THAT FABRICATION AND LEAD TIMES WILL NOT BEGIN UNTIL FINAL APPROVAL WITHOUT CHANGES IS PROVIDED.

APPROVAL SIGNIFIES THAT DESIGN AND ALL FIELD MEASUREMENTS HAVE BEEN VERIFIED AND THIS PROJECT MAY BE RELEASED FOR FABRICATION. PER OUR TERMS AND CONDITIONS, APPROVED SHOP DRAWINGS ARE FINAL AGREEMENT OF ALL DESIGN AND PRODUCTION CRITERIA AND SUPERCEDE QUOTE AND OTHER PRIOR DOCUMENTS. LEAD TIMES OFFICIALLY BEGIN UPON RECEIPT OF SIGNED SHOP DRAWINGS. IN ORDER TO EXPEDITE FABRICATION, PLEASE SIGN AND RETURN ONE (1) FULL SET SHOP DRAWINGS, INCLUDING ANY PAGES WHICH MAY REFLECT DIMENSION OR DETAIL ALTERATIONS.

CUSTOMER'S SIGNATURE OR MARK AT ANY LOCATION ON THIS PAGE SIGNIFIES ACCEPTANCE AND APPROVAL OF ALL SIGN OFF REQUIREMENTS INCLUDING DESIGN, DIMENSIONS, FRAME COLOR, GLAZING TYPE, ACCESSORIES, ETC FOR S.I. TO PROCEED WITH FABRICATION. ANY CHANGES TO SHOP DRAWINGS WILL RESULT IN ADDITIONAL CHARGES AND LEAD TIMES.

IF S.I. RECEIVES COVER PAGE ONLY, CUSTOMER CERTIFIES THAT NO CHANGES TO THE DRAWINGS ARE REQUIRED AND S.I. IS PERMITTED TO PROCEED WITH FABRICATION AS PER ITS LAST SUBMITTAL.

S.I. DRAWING REVIEW SIGN OFF		
S.I. REP.	INITIAL	DATE
PRELIMINARY ENGINEER	KAE	11/15/18
SPECIALIST		
SPECIALIST		
PROJECT MANAGER	JM	11/15/18
OTHER		

GLAZING SCHEDULE (SLOPED) (QTY: 8)	
TYPE	DESCRIPTION
①	1" INSULATED GLAZING UNITS 3/16" LoE 272 (ON SURFACE #2) TEMPERED 3/8" STAINLESS STEEL AIR SPACE (ARGON FILLED) 7/16" CLEAR ANNEALED LAMINATED WITH A .060" PVB INTERLAYER SILICONE SEAL

GLAZING SCHEDULE (VERTICAL) (QTY: 11)	
TYPE	DESCRIPTION
②	1" INSULATED GLAZING UNITS 3/16" LoE 272 (ON SURFACE #2) TEMPERED 5/8" STAINLESS STEEL AIR SPACE (ARGON FILLED) 3/16" CLEAR TEMPERED SILICONE SEAL

GLAZING SCHEDULE (VERTICAL) (QTY: 2)	
TYPE	DESCRIPTION
③	1" INSULATED GLAZING UNITS 1/8" LoE 272 (ON SURFACE #2) TEMPERED 3/8" STAINLESS STEEL AIR SPACE (ARGON FILLED) 1/8" CLEAR TEMPERED SILICONE SEAL

**SOLAR INSTALL**

REVISION KEY			
LETTER	DESCRIPTION	DATE	INITIAL

31 ROBERTS ROAD | PINE GROVE, PA 17963  
 PHONE: (570) 915-1500 or (800) 618-0669 | FAX: (800) 618-0743  
 WEBSITE: www.solarinnovations.com | E-MAIL: skylight@solarinnovations.com

PRE. ENG.: XXX  
 DRAFTER: ALEX STESLOW / TYLER NEWHOUSE  
 QUOTE: 12418  
 ORIGINAL DRAWING DATE: 11-9-18

CUTLISTER: XXX  
 PROJECT MANAGER: JOSH MUSSER (EXT. 3063)  
 JOB NO.: 18-10-580  
 COVER PAGE: SHEET No. 1 OF 34

UNIT TYPE / FRAMING SYSTEM	ACCESSORY SCHEDULE (OUTSOURCE)	
ONE (1) SI 5204 ALUMINUM STRAIGHT-EAVE LEAN-TO WITH ONE (1) GABLE END	TYPE	DESCRIPTION
FRAMING TO BE: 2" X 2.83 ALUMINUM SYSTEM GLAZING SET UP: 1" INSULATED GLAZING FRAMING COLOR TO BE: <b>AAMA 2603 SI STANDARD BRONZE (UC# 89166RS)</b> METAL TO METAL SILICONE COLOR TO BE: BRONZE METAL TO GLASS SILICONE COLOR TO BE: BLACK GLASS TO GLASS SILICONE COLOR TO BE: BLACK	UA-A	ONE (1) WATER RESISTANT LINEAR ACTUATOR MOTORS (ARM CUT DOWN TO 4") FOR RIDGE VENTS LISTED BELOW (AC000659-00-00) <b>MOTOR IS BLACK WITH SILVER ARM</b>
	UA-B	ONE (1) THERMOSTAT (AC000064-00-00) TO CONTROL RIDGE VENTS LISTED BELOW
	UA-C	TWO (2) SI9999 ALUMINUM ELBOW ASSEMBLIES FOR 2 1/2" ROUND DOWNSPOUT
	UA-D	SDL GRIDS BETWEEN SURFACES 2 & 3 OF VERTICAL BAYS, IN CONJUNCTION WITH EXTERIOR GRIDS ( <b>BLACK</b> )

ONE (1) GEN-2 OUT-SWING TERRACE DOOR, HINGED-RIGHT, OUTFITTED WITH HOPPE "TORONTO" SWING DOOR LEVER & STANDARD SILL.  
 GLAZING SET UP: 1" INSULATED GLAZING  
 STANDARD OUT-SWING SILL & FLASHING COLOR TO BE: **CLASS 1 CLEAR ANODIZED FINISH.**  
 FRAMING COLOR TO BE: **AAMA 2603 SI STANDARD BRONZE (UC# 89166RS)**  
 METAL TO METAL SILICONE COLOR TO BE: BRONZE  
 METAL TO GLASS SILICONE COLOR TO BE: BLACK  
 GLASS TO GLASS SILICONE COLOR TO BE: BLACK

**TD-A**

HARDWARE INFORMATION (OUTSOURCE)

ACTIVE HANDLE: HOPPE "TORONTO" (COASTAL) HANDLE  
 ACTIVE LOCK: 3-POINT LOCK, DEADBOLT INT. & KEYED EXT.  
 HANDLE & TRIM PLATE COLOR: MATTE BLACK  
**"UNITS TO BE KEYED DIFFERENT"**

HARDWARE INFORMATION

HINGES: SEMI CONCEALED HINGES  
 HINGE COLOR: DARK BRONZE ANODIZED  
 DOOR LIMITER

**DRAWINGS ARE FOR PRELIMINARY REFERENCE ONLY PER LETTER OF INTENT. DESIGN, DIMENSIONS, ATTACHMENTS, ETC. ARE TO BE VERIFIED, SUPPLIED, AND/OR REVIEWED FOR APPROVAL. FINAL ENGINEERING TO BE BASED ON FINAL DESIGN.**

ACCESSORY SCHEDULE	
TYPE	DESCRIPTION
UA-A	040" ALUMINUM INTERIOR SILL FLASHING ( <b>AAMA 2603 SI STANDARD BRONZE</b> )
UA-B	SI9999 2 1/2" HALF ROUND ALUMINUM ROLL FORMED GUTTER ( <b>AAMA 2603 SI STANDARD BRONZE</b> )
UA-C	ONE (1) SI9999 2 1/2" ROUND ALUMINUM DOWNSPOUTS ( <b>AAMA 2603 SI STANDARD BRONZE</b> )
UA-D	TRADITIONAL GRIDS APPLIED ON SURFACES 1 & 4 OF VERTICAL BAYS ( <b>AAMA 2603 SI STANDARD BRONZE</b> )
UA-E	SI9999 DECORATIVE ALUMINUM OGEE ON INTERIOR FACE OF ALL RAFTERS ( <b>AAMA 2603 SI STANDARD BRONZE</b> )
UA-F	SI9999 DECORATIVE ALUMINUM FLUTED ON EXTERIOR FACE OF ALL RAFTERS AROUND DOOR ( <b>AAMA 2603 SI STANDARD BRONZE</b> )
UA-G	TWO (2) SI9999 PLINTHS AT CORNER OF DOOR FRAMING (LISTED BELOW) WITH ALUMINUM ROSETTES ( <b>AAMA 2603 SI STANDARD BRONZE</b> )
RV-A	ONE (1) FOUR-BAY INSULATED OPERABLE RIDGE VENT WITH CHARCOAL COLORED FIBERGLASS SCREENS.
W-A	TWO (2) INSULATED OUT-SWING AWNING WINDOW USING THE PROJECTED WINDOW SYSTEM, WITH SINGLE ARM CRANK OPERATOR, STANDARD CAM LOCK, 4-BAR HINGES, AND CHARCOAL COLORED FIBERGLASS SCREEN ON INTERIOR OF WINDOW.  GLAZING SET UP: 1" INSULATED GLAZING
	HARDWARE INFORMATION (OUTSOURCE)
	HANDLE: ONE (1) SINGLE ARM CRANK OPERATOR PER WINDOW HANDLE COLOR: BLACK LOCK: TWO (2) CAM LOCKS PER WINDOW LOCK COLOR: BLACK

INTEGRATION OF NEW STRUCTURES WITH EXISTING STRUCTURES INVOLVES THE RISK OF DAMAGE TO EXISTING STRUCTURES. EXISTING STRUCTURES CAN CRACK OR FAIL DURING CONSTRUCTION THROUGH NO FAULT OF SI. IN THE ABSENCE OF NEGLIGENCE ON THE PART OF SI, SI IS NOT LIABLE FOR ANY DAMAGE CAUSED TO EXISTING STRUCTURES DURING THE PROCESS OF ERECTION AND INTEGRATION OF THE SI PRODUCT INTO EXISTING STRUCTURES. IN THAT EVENT, CUSTOMER ASSUMES ALL RESPONSIBILITY AND COSTS FOR THE REPLACEMENT OR REPAIR OF THE EXISTING STRUCTURE (INCLUDING ANY OF ITS COMPONENTS), AS WELL AS ANY REWORK REQUIRED BY SI TO UNINSTALL OR REINSTALL ANY SI PRODUCTS.

SOLAR HAS PROVIDED PROJECT SPECIFIC DRAWINGS BASED ON INFORMATION PROVIDED BY THE CUSTOMER. IN DOING SO, SI HAS RELIED ON THE ACCURACY OF ALL SUCH INFORMATION. CUSTOMER WARRANTS THAT ALL INFORMATION PROVIDED IS ACCURATE. SI WILL NOT BE HELD LIABLE FOR ANY SITE CONDITIONS/INSTALLATION CONCERNS WHICH ARE RELATED TO INCORRECT OR INCOMPLETE INFORMATION PROVIDED BY CUSTOMER, OR ANY DRAWINGS APPROVED BY CUSTOMER WHICH CONTAIN ERRONEOUS INFORMATION.

ALL DATA CONTAINED HERE IN IS CONSIDERED COMPANY CONFIDENTIAL INFORMATION AND IS SUBJECT TO OUR CONFIDENTIALITY AGREEMENT AS SET FORTH ON OUR WEBSITE AT <http://www.solarinnovations.com/contact/>

© 2018 Solar Innovations® Architectural Glazing Systems - All Rights Reserved. These plans are the property of Solar Innovations® Architectural Glazing Systems. Any use or reproduction of these plans, in whole or in part, without the written permission of Solar Innovations® Architectural Glazing Systems is forbidden.

# NOTES TO DESIGN PROFESSIONAL

- 1.)
- 2.)
- 3.)
- 4.)
- 5.)

## SPECIAL NOTES

- 1.) ANY REVISIONS REQUESTED & DRAWN AFTER PRELIMINARY ENGINEERING ARE SUBJECT TO MODIFICATION AFTER FINAL REVIEW BY THE CUSTOMER AND FINAL REVIEW BY ENGINEERING TO MEET APPLICABLE CODE.
- 2.) DRAWING IS SUBJECT TO WIND AND SEISMIC MODIFICATION PER FINAL REVIEW BY ENGINEERING INCLUDING, BUT NOT LIMITED TO: WIND BRACING, SEISMIC BRACING, AND SYSTEM MODIFICATION TO MEET IMPOSED LOADS.
- 3.) UNLESS OTHERWISE NOTED, SOLAR INNOVATIONS, INC. WILL ASSUME THAT THE BOTTOM OF BASEWALL IS EQUAL TO THE FINISHED FLOOR HEIGHT. THIS INCLUDES ANY JOB THAT SITS ON PRESSURE TREATED WOOD PLATES OR SITS DIRECTLY ON A CONCRETE PAD.
- 4.) IN ORDER TO APPROVE ANY JOB FOR FABRICATION, SOLAR INNOVATIONS, INC. REQUIRES THAT ALL FOUR (4) OF THE LINES IN THE "APPROVAL BY SI ACCOUNT" BOX BE SIGNED AND DATED. ALSO, ALL REMAINING PAGES REQUIRE CUSTOMER INITIALS AND DATE. IF YOUR COMPANY'S POLICY IS TO STAMP DRAWINGS AS APPROVED, OR TO SIGN AND DATE ONLY ONE (1) PAGE OF A SET OF DRAWINGS, SOLAR INNOVATIONS, INC. WILL CONSIDER ALL PAGES FULLY REVIEWED AND APPROVED. THIS INCLUDES, BUT IS NOT LIMITED TO ALL DIMENSIONS, COLORS, GLASS MAKE-UPS, SYSTEM DESIGN AND DESIGNATIONS, ACCESSORY LAYOUTS, AND DESIGN PARAMETERS.
- 5.) ALL WOOD PRODUCTS MUST BE SEALED COMPLETELY AND THOROUGHLY PRIOR TO EXPOSURE TO ENVIRONMENTAL ELEMENTS, INCLUDING BUT NOT LIMITED TO TEMPERATURE AND HUMIDITY. SEALER MUST BE EXTERIOR GRADE AND PROFESSIONALLY SEALED ESPECIALLY ON SEAMS AND EDGES. FAILURE TO DO SO COULD RESULT IN STAINS ON WOOD, WARPING OF THE WOOD, OR DELIMITATION OF WOOD VENEERS. FAILURE TO COMPLY WILL RESULT IN VOIDING OF PRODUCT WARRANTY. ALSO, ANY REQUIRED REWORK OR REPLACEMENT OF PARTS OF PRODUCTS THAT ARE DEFECTIVE AS A RESULT OF NOT FOLLOWING THE ABOVE MENTIONED REQUIREMENTS WILL BE AT THE CUSTOMER'S EXPENSE.
- 6.) UNLESS SPECIFICALLY NOTED ON THE COVER PAGE OF THESE DRAWINGS, THE STRUCTURE WILL NOT BE PRE-ASSEMBLED OR PRE-GLAZED. THE STRUCTURE WILL BE SHIPPED IN INDIVIDUAL FABRICATED PARTS THAT ARE TO BE FINAL ASSEMBLED IN THE FIELD. REGARDLESS OF INDIVIDUAL CUSTOMER REQUESTS, SOLAR INNOVATIONS, INC RESERVES THE RIGHT TO SHIP UNITS KD (KNOCKED-DOWN) BASED ON SHIPPING METHODS AND LOGISTICS. IF FEASIBLE, AND FOR AN EXTRA FEE, SOLAR INNOVATIONS, INC WILL PRE-ASSEMBLE AND PRE-GLAZE JOBS AT THEIR DISCRETION BASED ON SIZE AND SHIPPING LIMITATIONS.
- 7.) SOLAR INNOVATIONS RECOMMENDS THE USE OF LAMINATED GLASS IN ALL OVER HEAD APPLICATIONS. IT IS TYPICALLY REQUIRED BY CODE. THE CUSTOMER ASSUMES ALL LIABILITY IF CHOOSING NOT TO USE IT.
- 8.) SOLAR INNOVATIONS PRICE INCLUDES THE USE OF A 1/2" MAXIMUM BEAD OF SILICONE ON THE OUTSIDE PERIMETER ONLY. ALL OTHER FINISH IS TO BE PROVIDED, OR WILL REQUIRE A CONTINUOUS SHIM "BY OTHER".

# TABLE OF CONTENTS

SHEET # - 1 & 2	COVER SHEETS
SHEET # - 3	ENGINEERING & CODE COMPLIANCE
SHEET # - 4	STANDARD FLASHING SPLICE INFORMATION
SHEET # - 5	STANDARD GLAZING INFORMATION
SHEET # - 6	ISOMETRIC VIEW
SHEET # - 7 - 9	CURB PLANS
SHEET # - 10	SILL PLAN
SHEET # - 11	ROOF PLAN
SHEET # - 12 & 13	ELEVATIONS
SHEET # - 14 & 15	SECTIONS
SHEET # - 15 - 32	DETAILS
SHEET # - 33 & 34	FLASHING SPLICE ISOMETRICS



**STONE 129 BEACON MA**  
**PETER AND BARBARA STONE**  
 BOSTON, MA 02116

WHOUSE	AM/S	BY
	11-9-18	DATE
	#	

DRAWN BY:  
ALEX STESLOW / TYLER N

PROJECT MANAGER:  
JOSH MUSSEY (EXT. 3063)

ALL DRAWINGS ARE VIEWED FROM THE EXTERIOR LOOKING IN.

DRAWING SCALE:  
NOT TO SCALE

JOB NO.:  
18-10-580

QUOTE NO.:  
12418

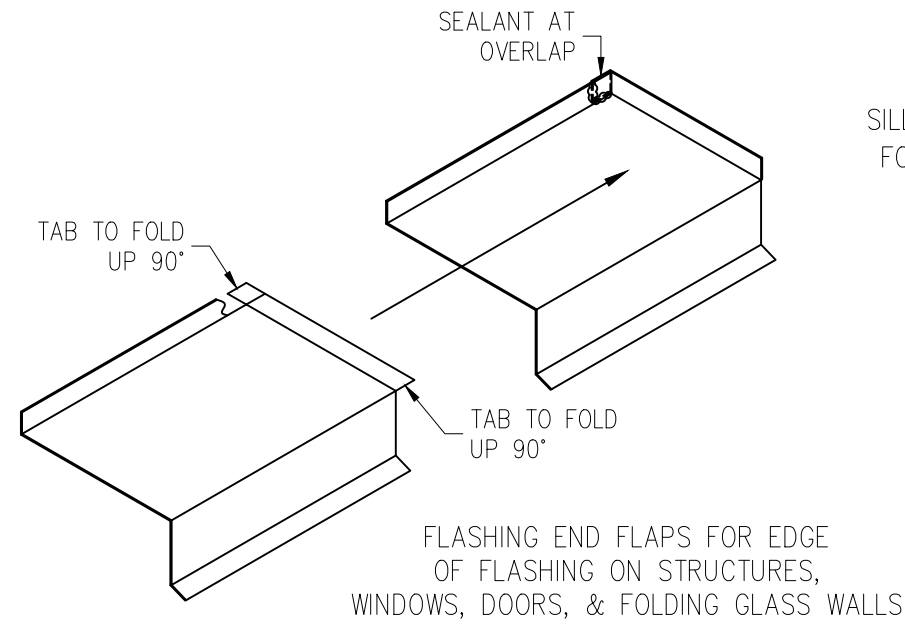
PAGE No.:

**2** OF 34

SECTION MARKER	DETAIL MARKER	BUBBLE MARKER
HINGE IDENTIFICATION KEY		SLIDING UNIT DESIGNATIONS



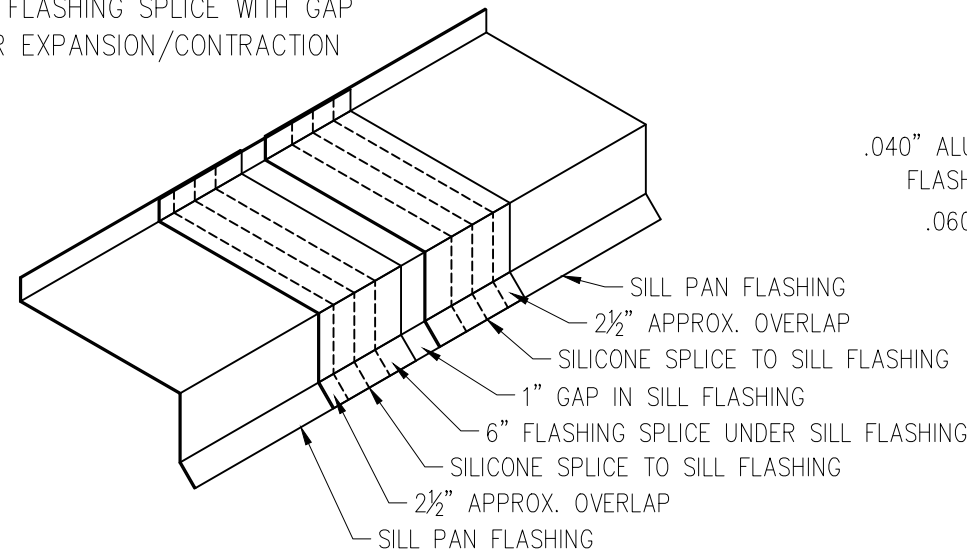
2a) Flashing Installation: Cut flashing and fold under with sealant joining the overlapping area. Make sure uplegs are sealed together. Overlaps of flashing should be a minimum of 6" thoroughly sealed together.



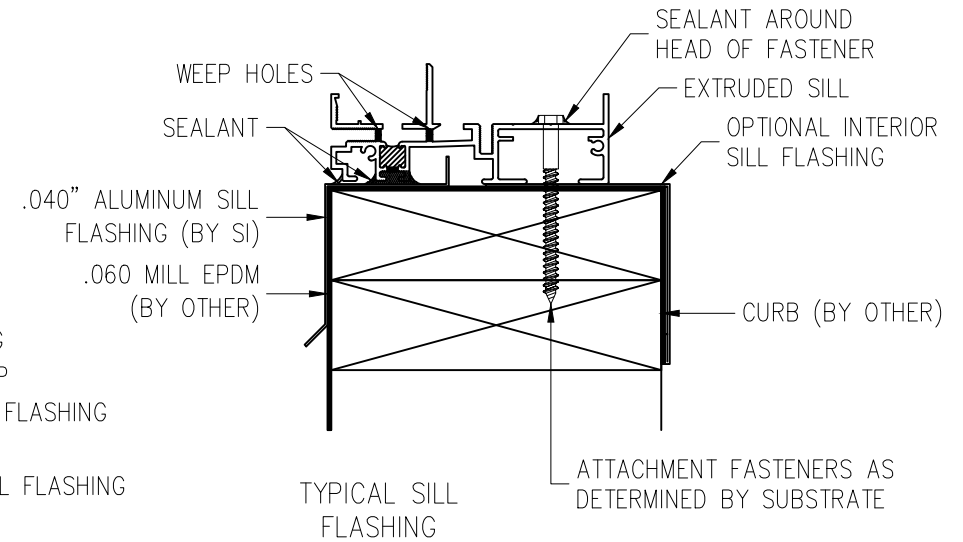
# FLASHING SPLICE INFORMATION SHEET

NOT JOB SPECIFIC!  
SEE FLASHING ISOMETRIC PAGES AT END OF DRAWINGS

SILL FLASHING SPLICE WITH GAP FOR EXPANSION/CONTRACTION

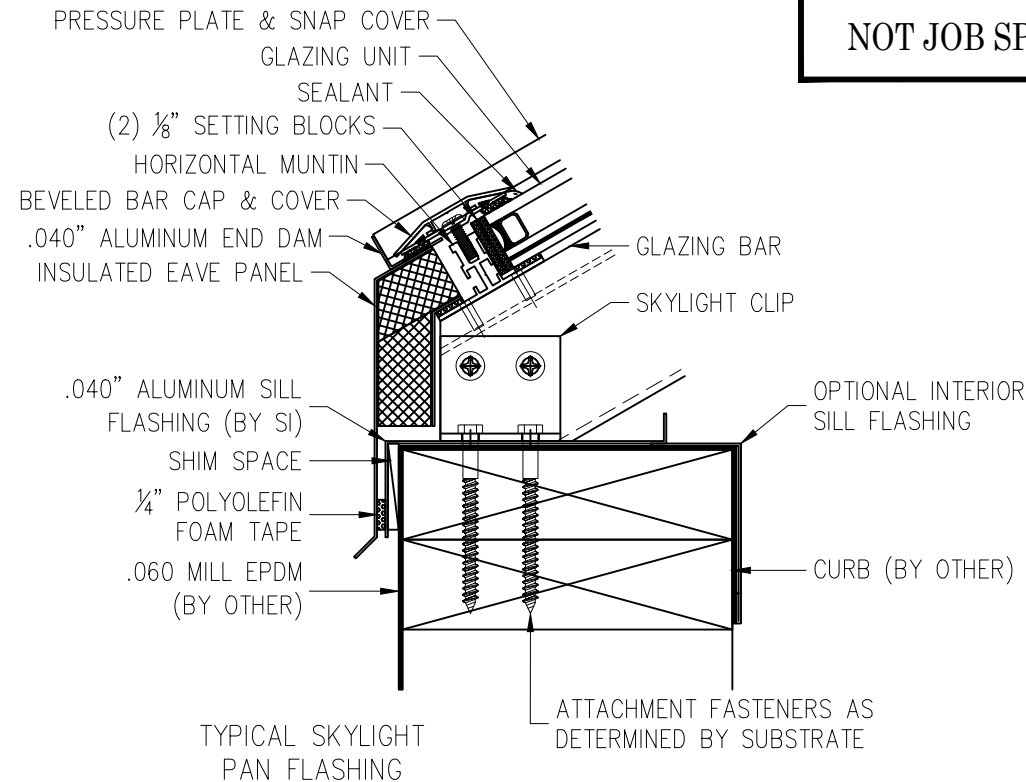


2b) Miter sill flashing and join with splice under entire corner. Make sure that uplegs are sealed together. Be sure that continuous sealant from front to back is utilized in both methods.

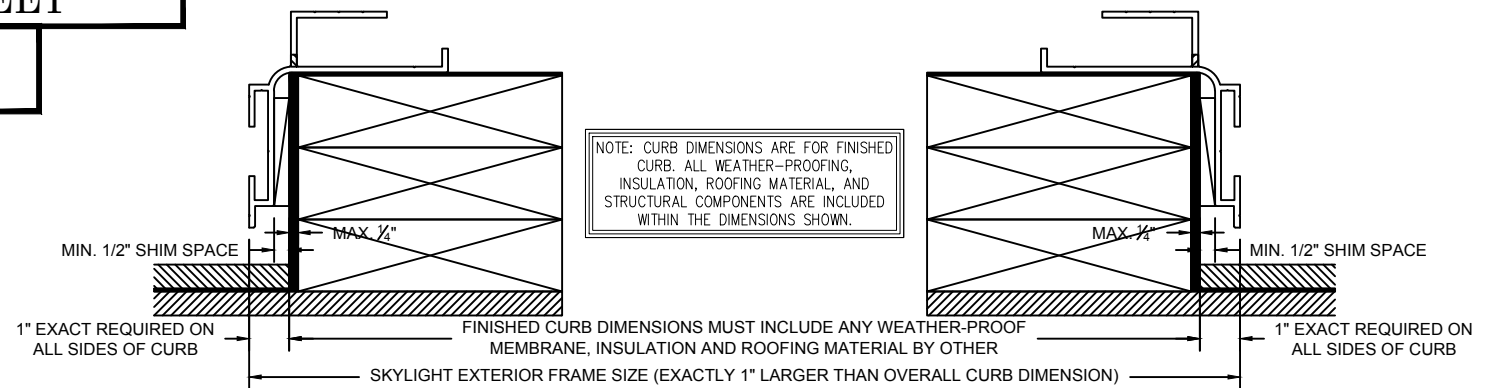


# SKYLIGHT CURB/SILL LAYOUT INFORMATION SHEET

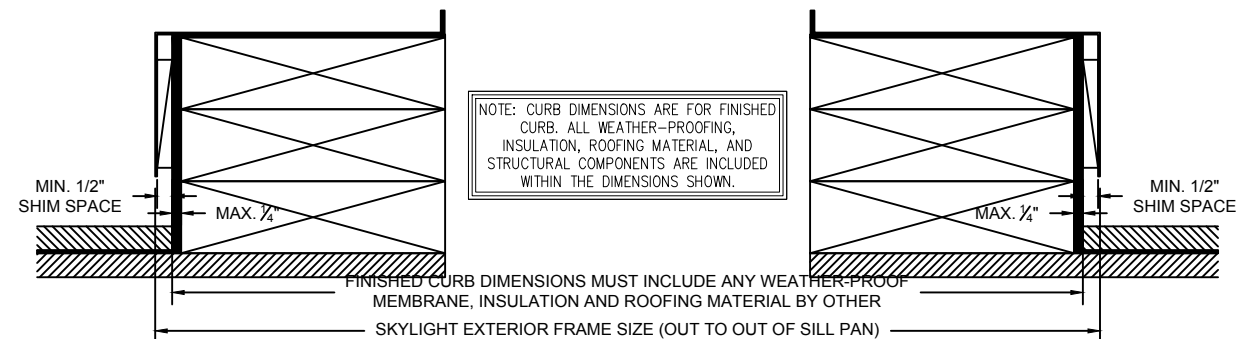
NOT JOB SPECIFIC!



STANDARD WELDED CURB DIMENSIONS



STANDARD PAN FLASHING SILL DIMENSIONS



STONE 129 BEACON MA  
PETER AND BARBARA STONE  
BOSTON, MA 02116

PROJECT #	11-9-18	DATE
DRAWN BY	TYLER NEWHOUSE	BY
PROJECT MANAGER	JOSH MUSSEY (EXT. 3063)	AMS

DRAWN BY: ALEX STESLOW / TYLER NEWHOUSE

PROJECT MANAGER: JOSH MUSSEY (EXT. 3063)

ALL DRAWINGS ARE VIEWED FROM THE EXTERIOR LOOKING IN.

DRAWING SCALE: NOT TO SCALE

JOB NO.: 18-10-580

QUOTE NO.: 12418

PAGE No.:

# GLAZING INFORMATION SHEET

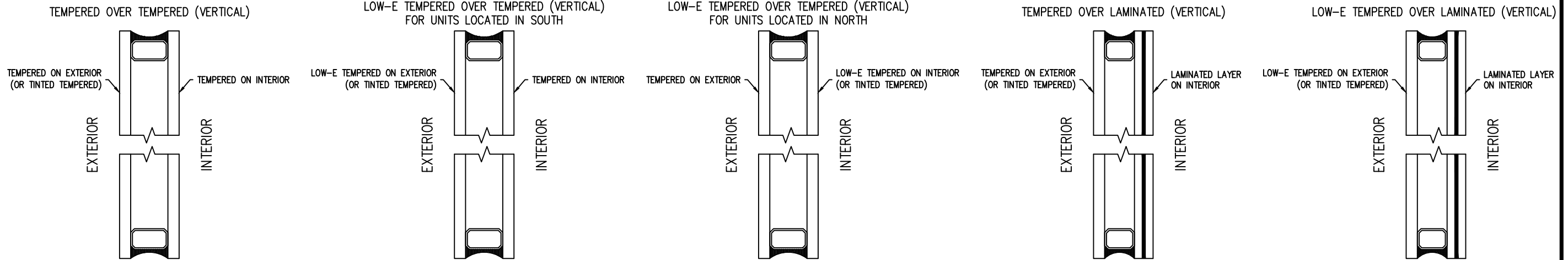
NOT JOB SPECIFIC!

TYPICAL CONFIGURATIONS  
CONSULT THE DETAILS, COVER PAGE OF DRAWINGS,  
AND OR PM TO CONFIRM PROJECT SPECIFIC GLASS ORIENTATION

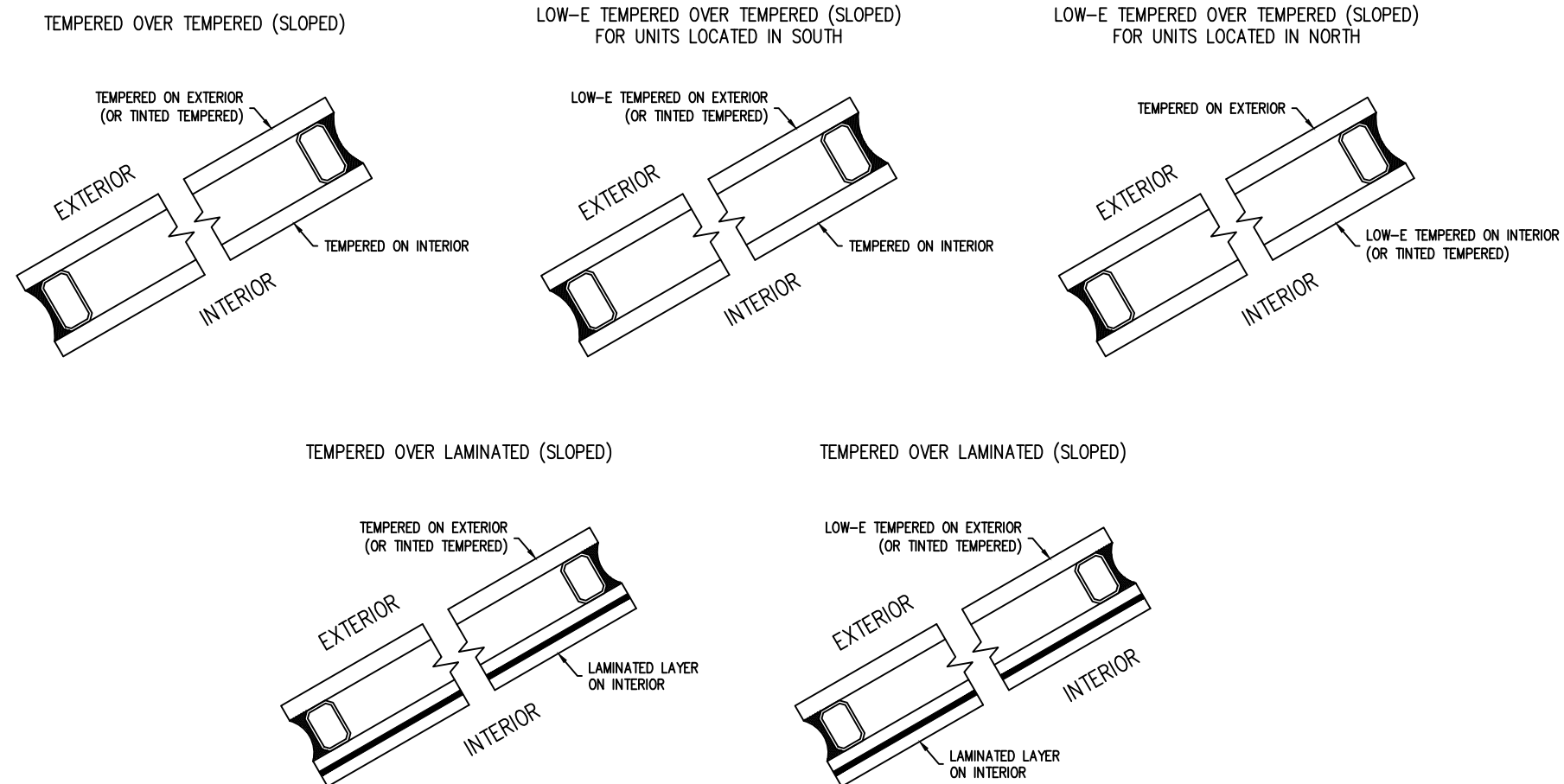
## IMPORTANT NOTES:

- LAMINATED LAYER IS TO BE ON THE INTERIOR OF THE UNIT.
- TEMPERED LAYER IS TO BE ON EXTERIOR OF UNIT.
- LOW-E TEMPERED LAYER TYPICALLY ON THE EXTERIOR IN SOUTHERN LOCATIONS.  
-TO KEEP HEAT OUT OF ENCLOSURE
- LOW-E TEMPERED LAYER TYPICALLY ON THE INTERIOR IN NORTHERN LOCATIONS.  
-TO GAIN HEAT INSIDE OF ENCLOSURE
- TINTED LAYER IS TYPICALLY ON THE EXTERIOR OF THE UNIT.

## VERTICAL GLAZING



## SLOPED GLAZING



**STONE 129 BEACON MA**  
PETER AND BARBARA STONE  
BOSTON, MA 02116

			AMS	BY
			11-9-18	
			DATE	
			#	

DRAWN BY:  
ALEX STESLOW / TYLER NEWHOUSE

PROJECT MANAGER:  
JOSH MUSSEY (EXT. 3063)

ALL DRAWINGS ARE VIEWED FROM THE EXTERIOR LOOKING IN.

DRAWING SCALE:  
NOT TO SCALE

JOB NO.:  
18-10-580

QUOTE NO.:  
12418

PAGE No.:



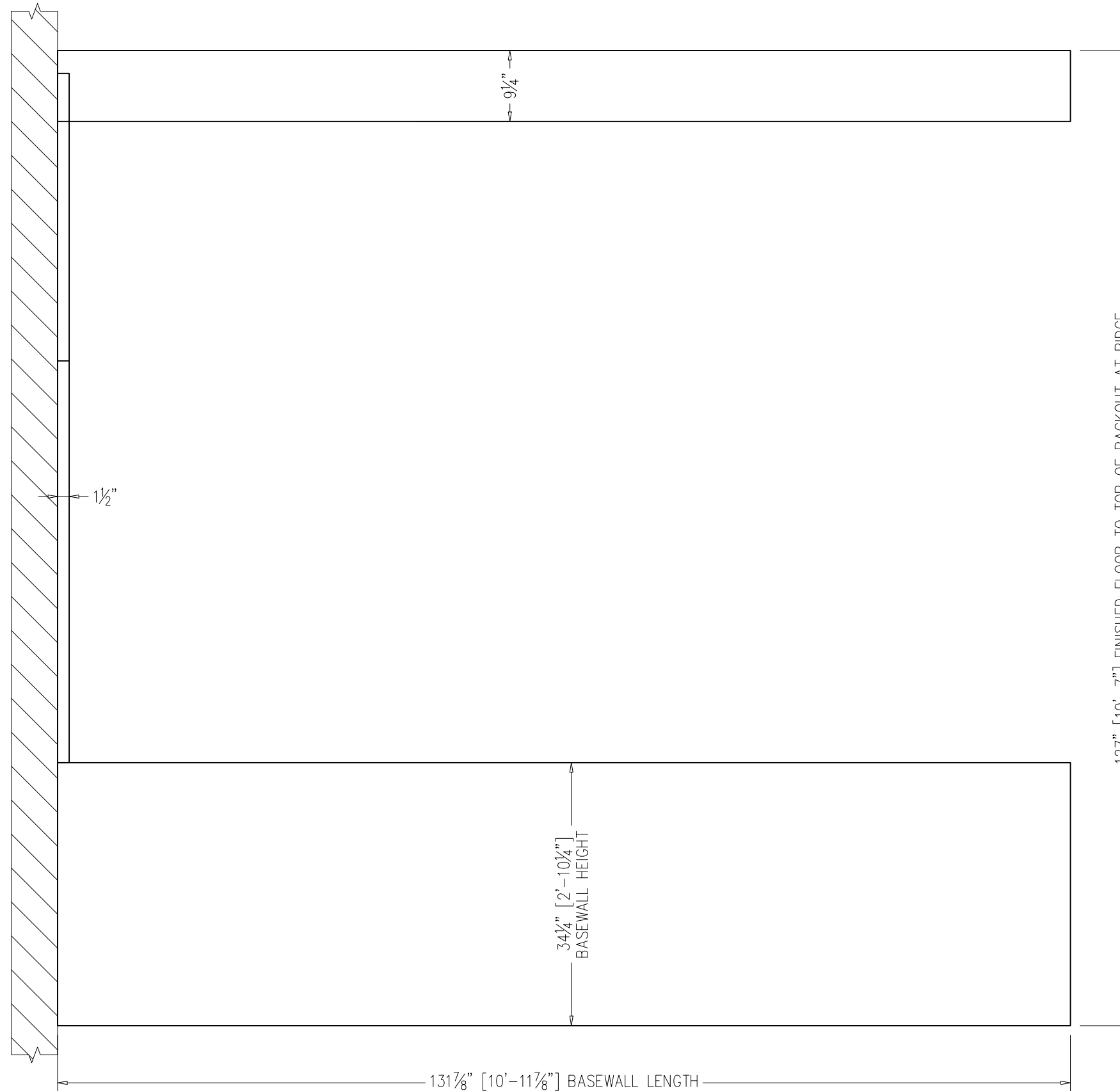




# CURB ELEVATION A



SCALE: 3/4" = 1'-0"



**STONE 129 BEACON MA**  
**PETER AND BARBARA STONE**  
 BOSTON, MA 02116

PROJECT #	NEWHOUSE
DATE	11-9-18
BY	AMS

DRAWN BY:  
 ALEX STESLOW / TYLER NEWHOUSE  
 PROJECT MANAGER:  
 JOSH MUSSEY (EXT. 3063)

ALL DRAWINGS ARE VIEWED FROM THE EXTERIOR LOOKING IN.

DRAWING SCALE:  
 3/4" = 1'-0"

JOB NO.:  
 18-10-580

QUOTE NO.:  
 12418

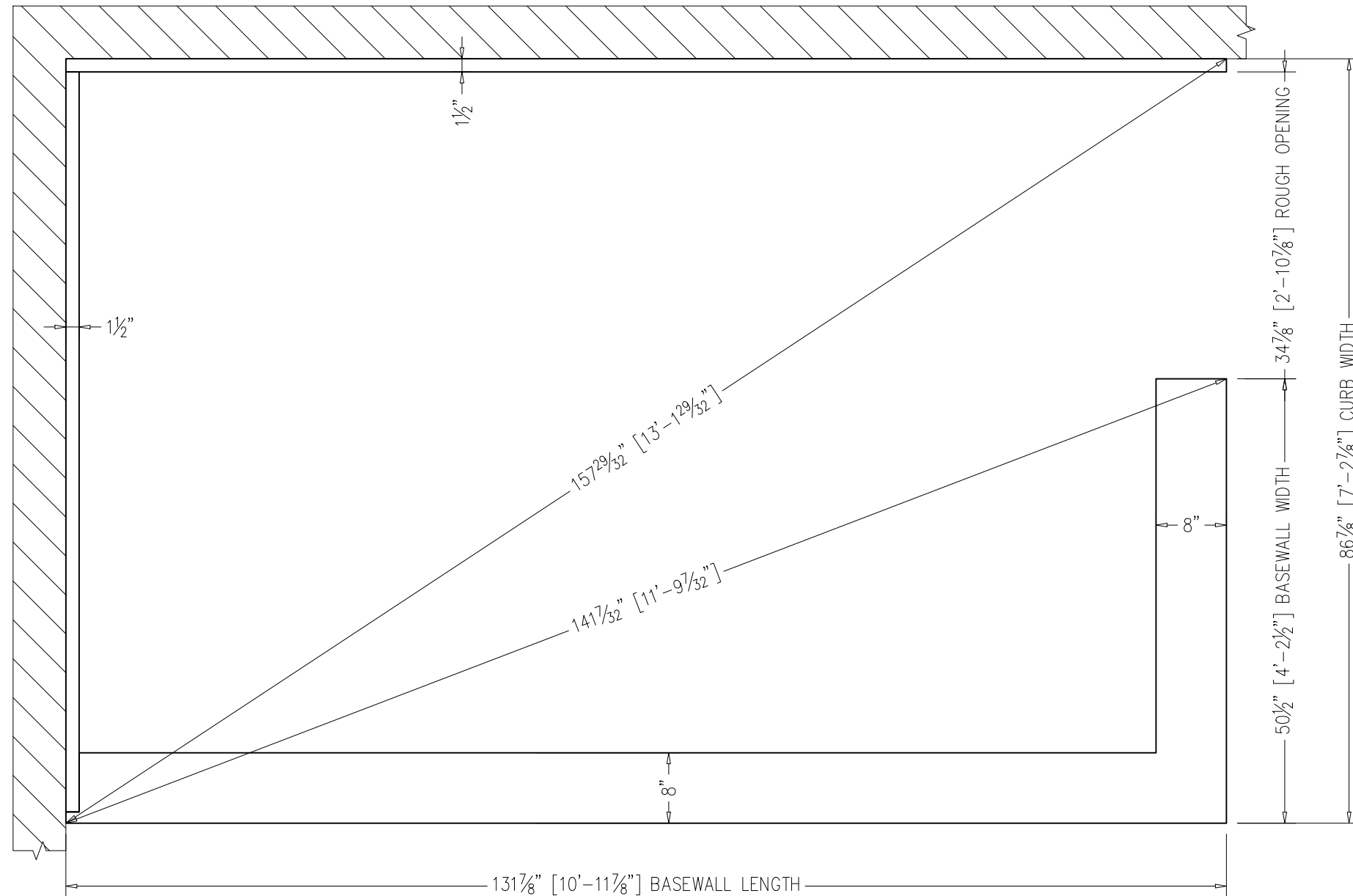
PAGE No.:



# CURB PLAN



SCALE: 3/4" = 1'-0"



**STONE 129 BEACON MA**  
**PETER AND BARBARA STONE**  
 BOSTON, MA 02116

PROJECT NAME	NEWHOUSE
DATE	11-9-18
BY	AMS

DRAWN BY:  
 ALEX STESLOW / TYLER NEWHOUSE

PROJECT MANAGER:  
 JOSH MUSSEY (EXT. 3063)

ALL DRAWINGS ARE VIEWED FROM THE EXTERIOR LOOKING IN.

DRAWING SCALE:  
 3/4" = 1'-0"

JOB NO.:  
 18-10-580

QUOTE NO.:  
 12418

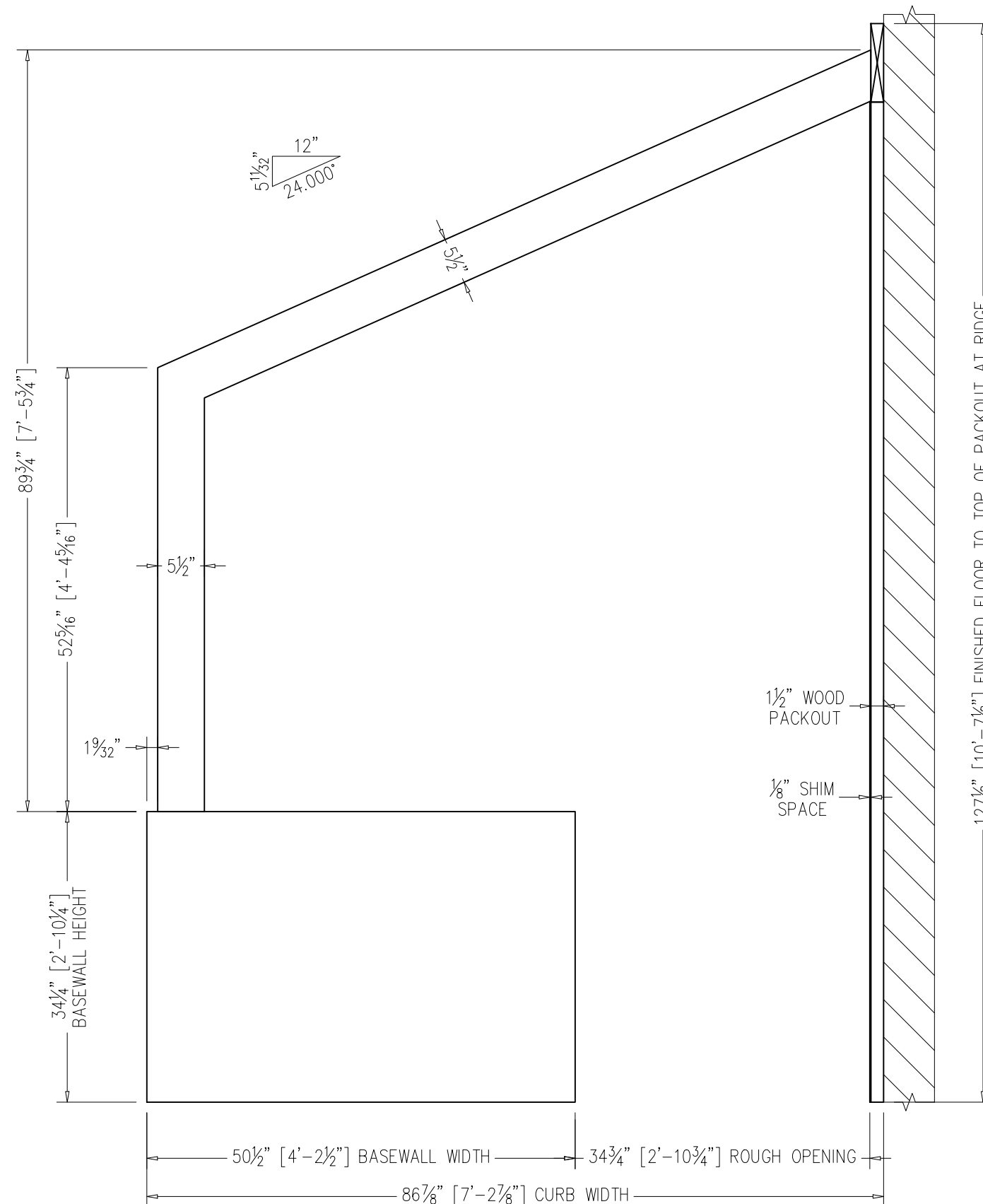
PAGE No.:



# CURB ELEVATION B



SCALE: 3/4" = 1'-0"



**STONE 129 BEACON MA**  
 PETER AND BARBARA STONE  
 BOSTON, MA 02116

NEWHOUSE	AMIS	BY
	11-9-18	DATE
#		

DRAWN BY:  
 ALEX STESLOW / TYLER NEWHOUSE  
 PROJECT MANAGER:  
 JOSH MUSSEY (EXT. 3063)

ALL DRAWINGS ARE VIEWED FROM THE EXTERIOR LOOKING IN.

DRAWING SCALE:  
 3/4" = 1'-0"

JOB NO.:  
 18-10-580

QUOTE NO.:  
 12418

PAGE No.:



PROJECT #	11-9-18	DATE
DRAWN BY	AM	BY
PROJECT MANAGER	JOSH MUSSEY (EXT. 3063)	

DRAWN BY: ALEX STESLOW / TYLER NEWHOUSE  
PROJECT MANAGER: JOSH MUSSEY (EXT. 3063)

ALL DRAWINGS ARE VIEWED FROM THE EXTERIOR LOOKING IN.

DRAWING SCALE: 3/4" = 1'-0"

JOB NO.: 18-10-580

QUOTE NO.: 12418

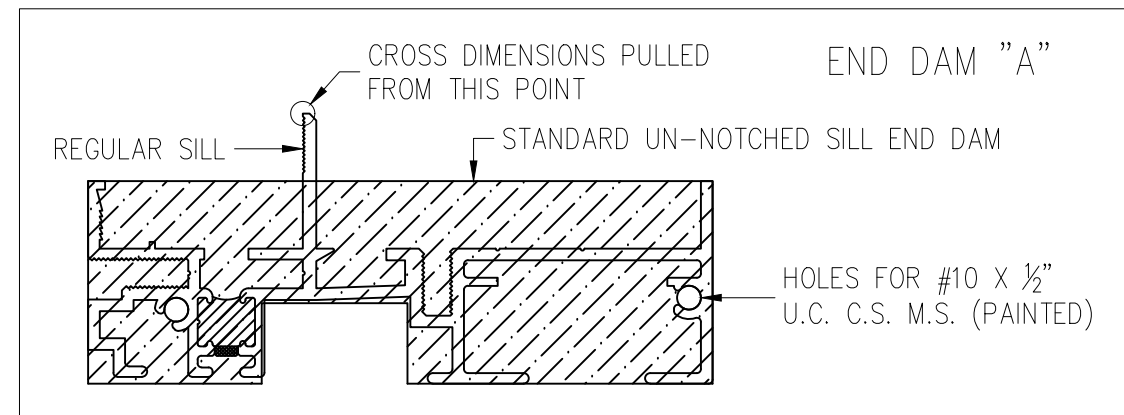
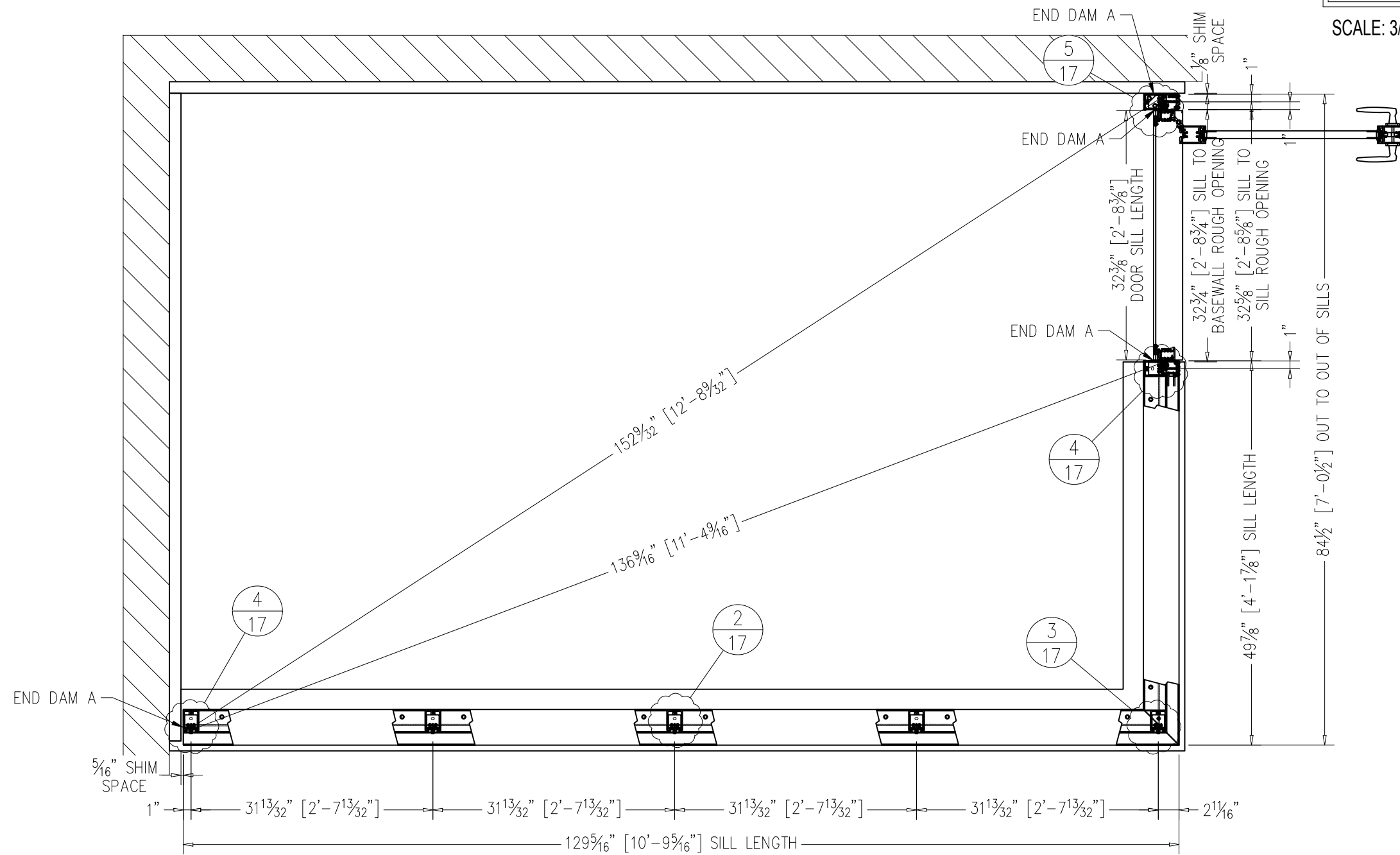
PAGE No.:

10 OF 34

# SILL PLAN



SCALE: 3/4" = 1'-0"





PROJECT NAME	NEWHOUSE
DATE	11-9-18
BY	AMS

DRAWN BY:  
ALEX STESLOW / TYLER NEWHOUSE

PROJECT MANAGER:  
JOSH MUSSEY (EXT. 3063)

ALL DRAWINGS ARE VIEWED FROM THE EXTERIOR LOOKING IN.

DRAWING SCALE:  
3/4" = 1'-0"

JOB NO.:  
18-10-580

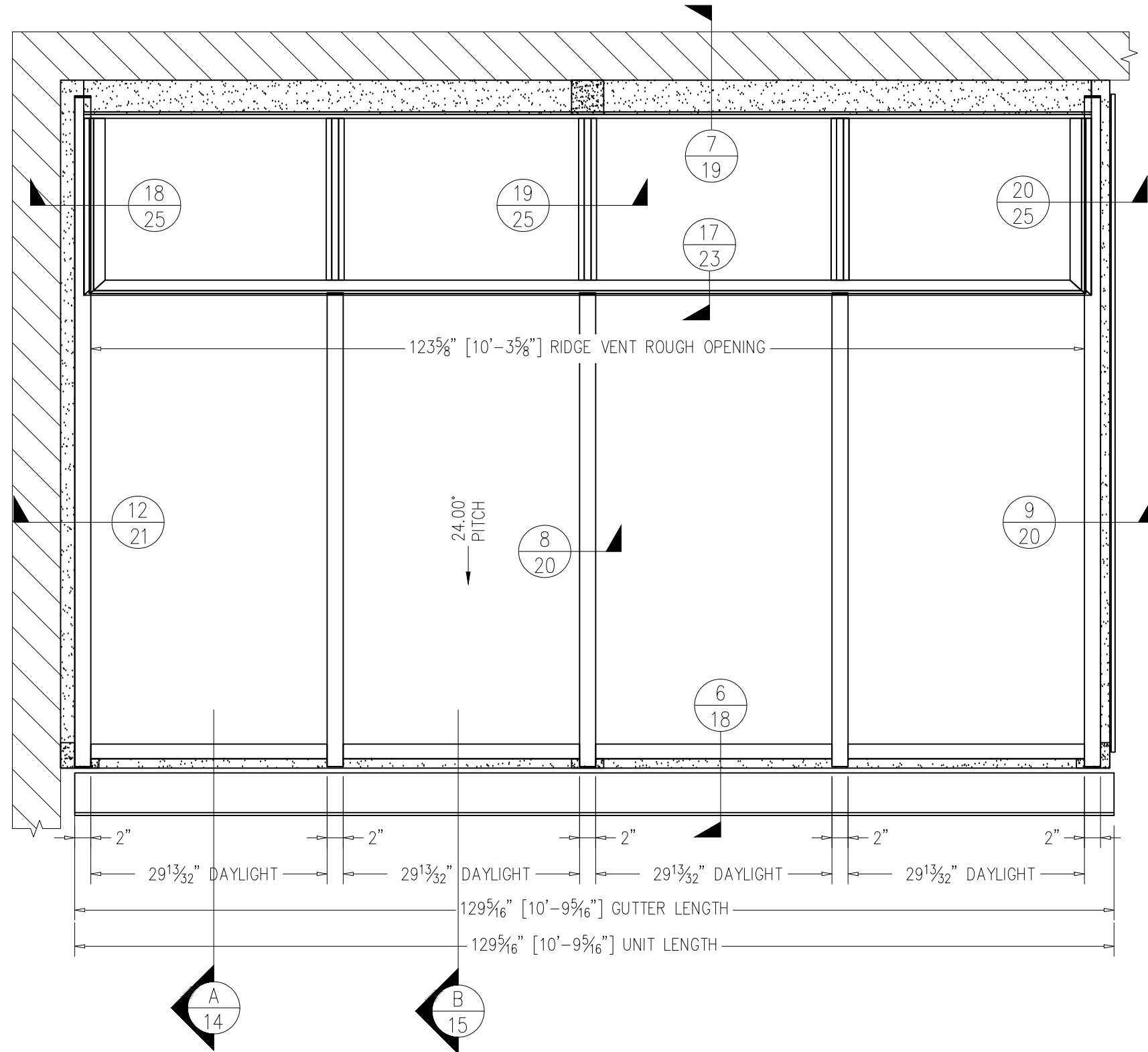
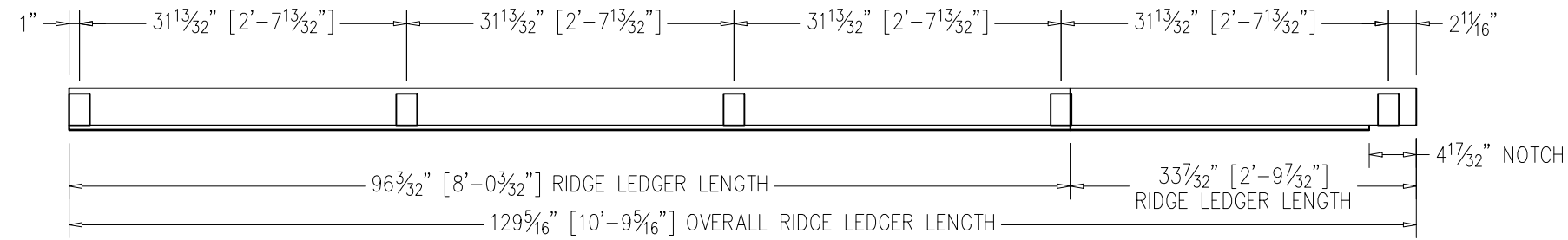
QUOTE NO.:  
12418

PAGE No.:

# ROOF PLAN



SCALE: 3/4" = 1'-0"





NEWHOUSE	AMS	BY
	11-9-18	DATE
#		

DRAWN BY:  
ALEX STESLOW / TYLER NEWHOUSE

PROJECT MANAGER:  
JOSH MUSSEY (EXT. 3063)

ALL DRAWINGS ARE VIEWED FROM THE EXTERIOR LOOKING IN.

DRAWING SCALE:  
3/4" = 1'-0"

JOB NO.:  
18-10-580

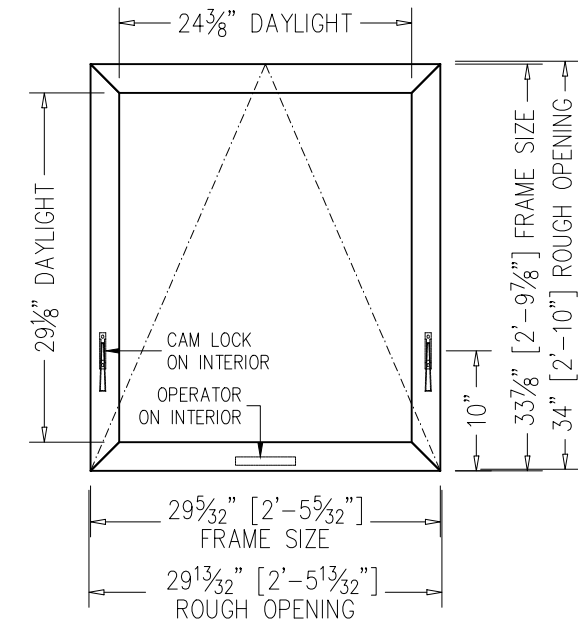
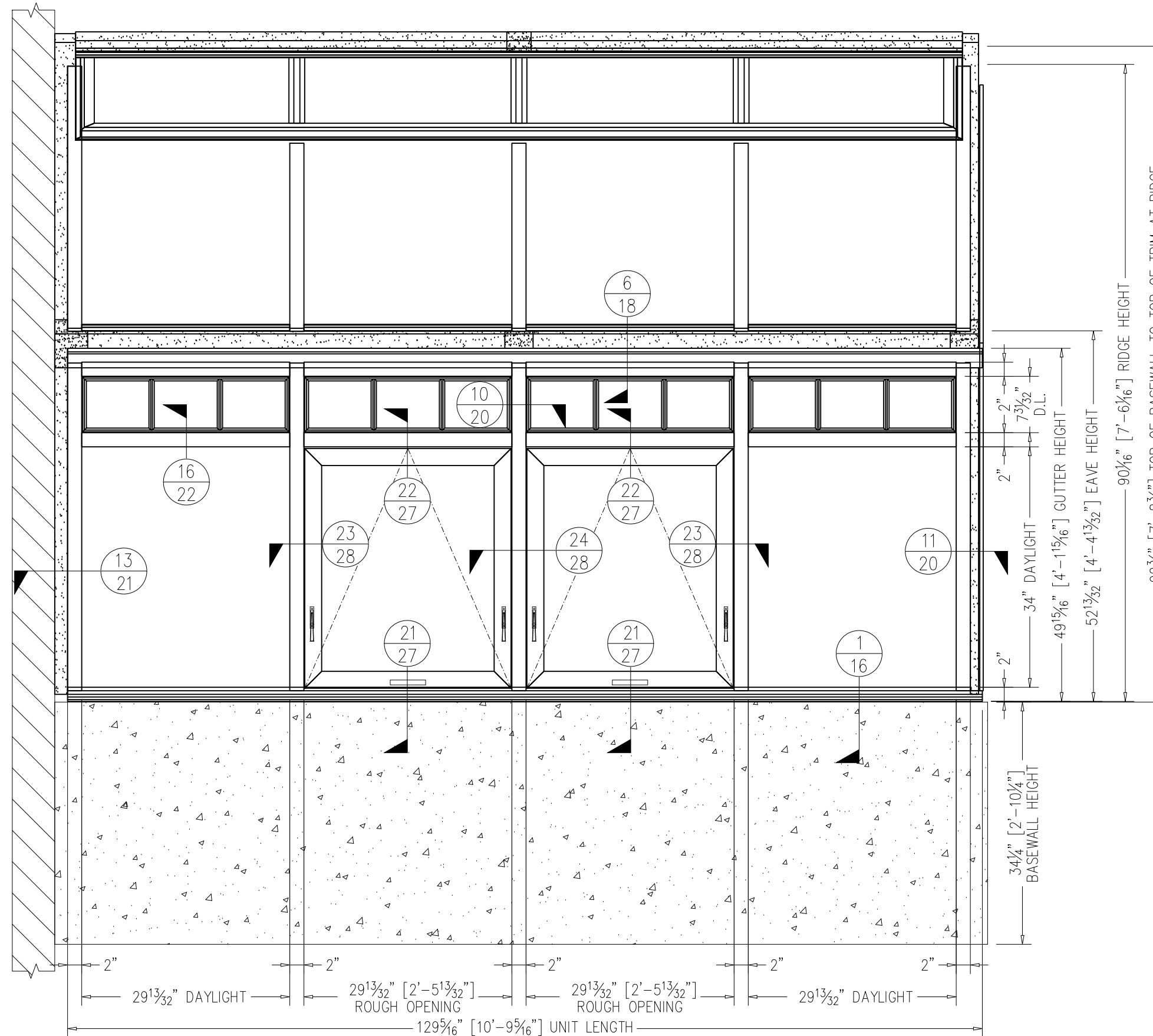
QUOTE NO.:  
12418

PAGE No.:

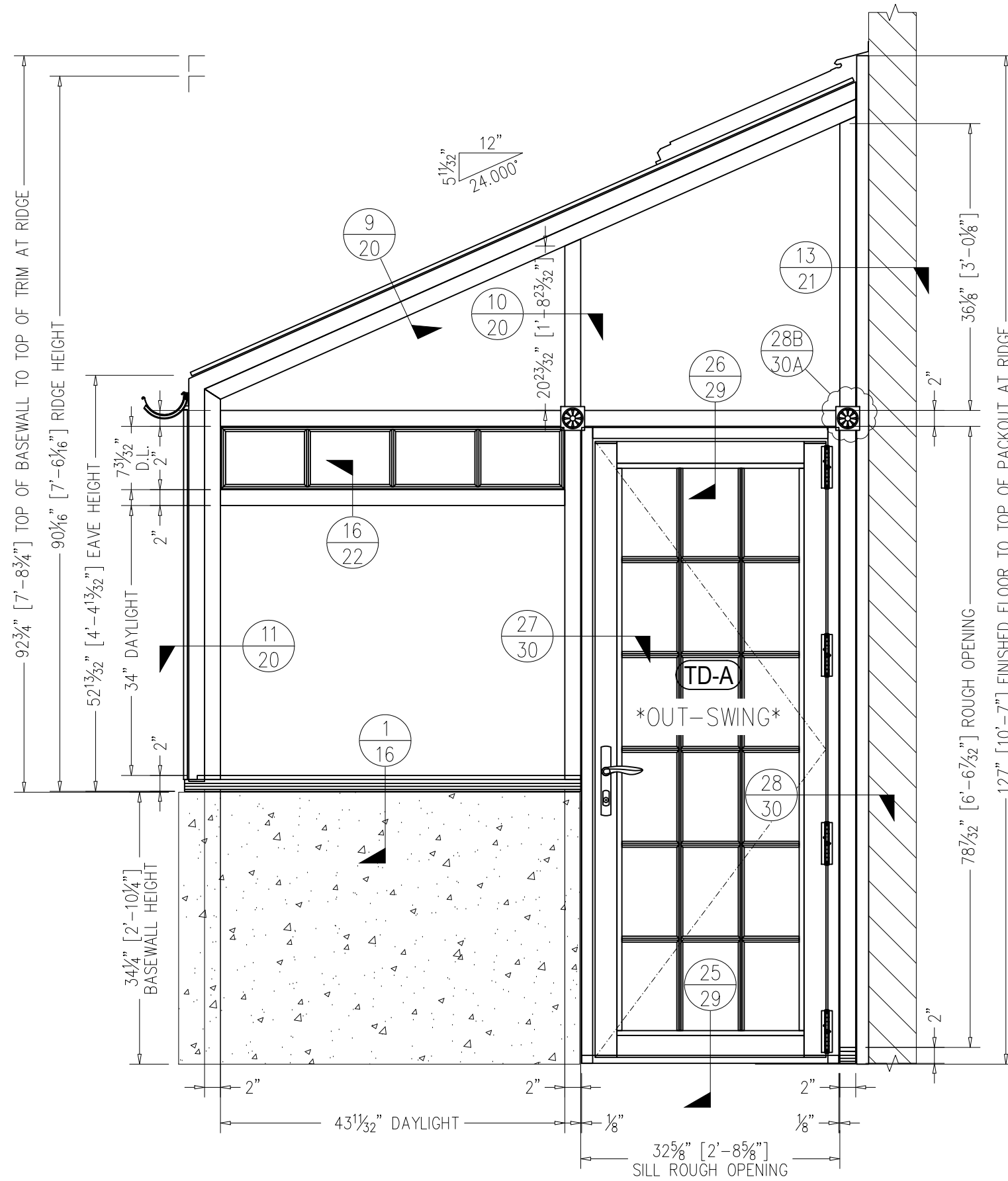
# ELEVATION A



SCALE: 3/4" = 1'-0"



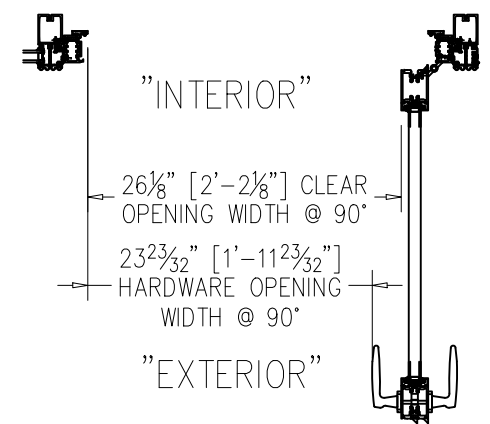
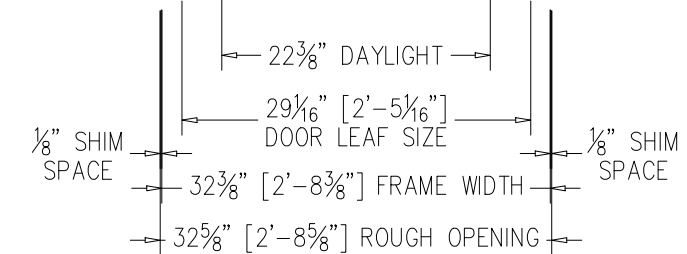
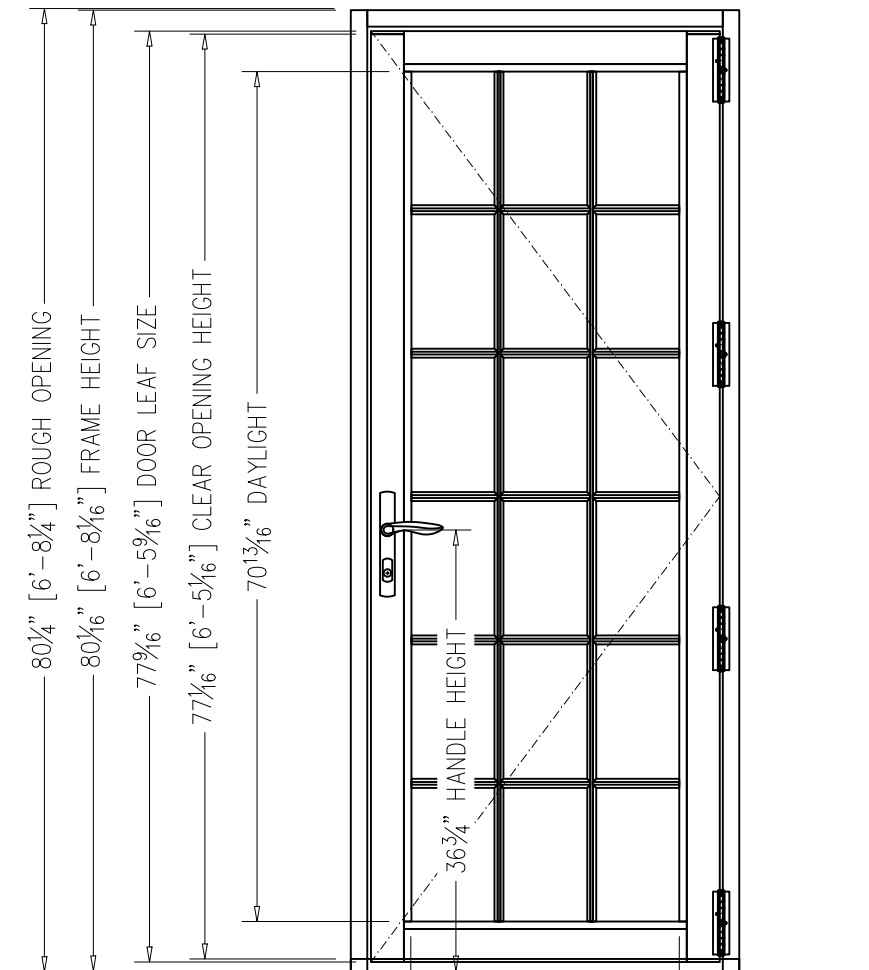




# ELEVATION B



SCALE: 3/4" = 1'-0"



**STONE 129 BEACON MA**  
**PETER AND BARBARA STONE**  
 BOSTON, MA 02116

NEWHOUSE	AMS	BY
	11-9-18	DATE
#		

DRAWN BY:  
 ALEX STESLOW / TYLER NEWHOUSE

PROJECT MANAGER:  
 JOSH MUSSEY (EXT. 3063)

ALL DRAWINGS ARE VIEWED FROM THE EXTERIOR LOOKING IN.

DRAWING SCALE:  
 3/4" = 1'-0"

JOB NO.:  
 18-10-580

QUOTE NO.:  
 12418

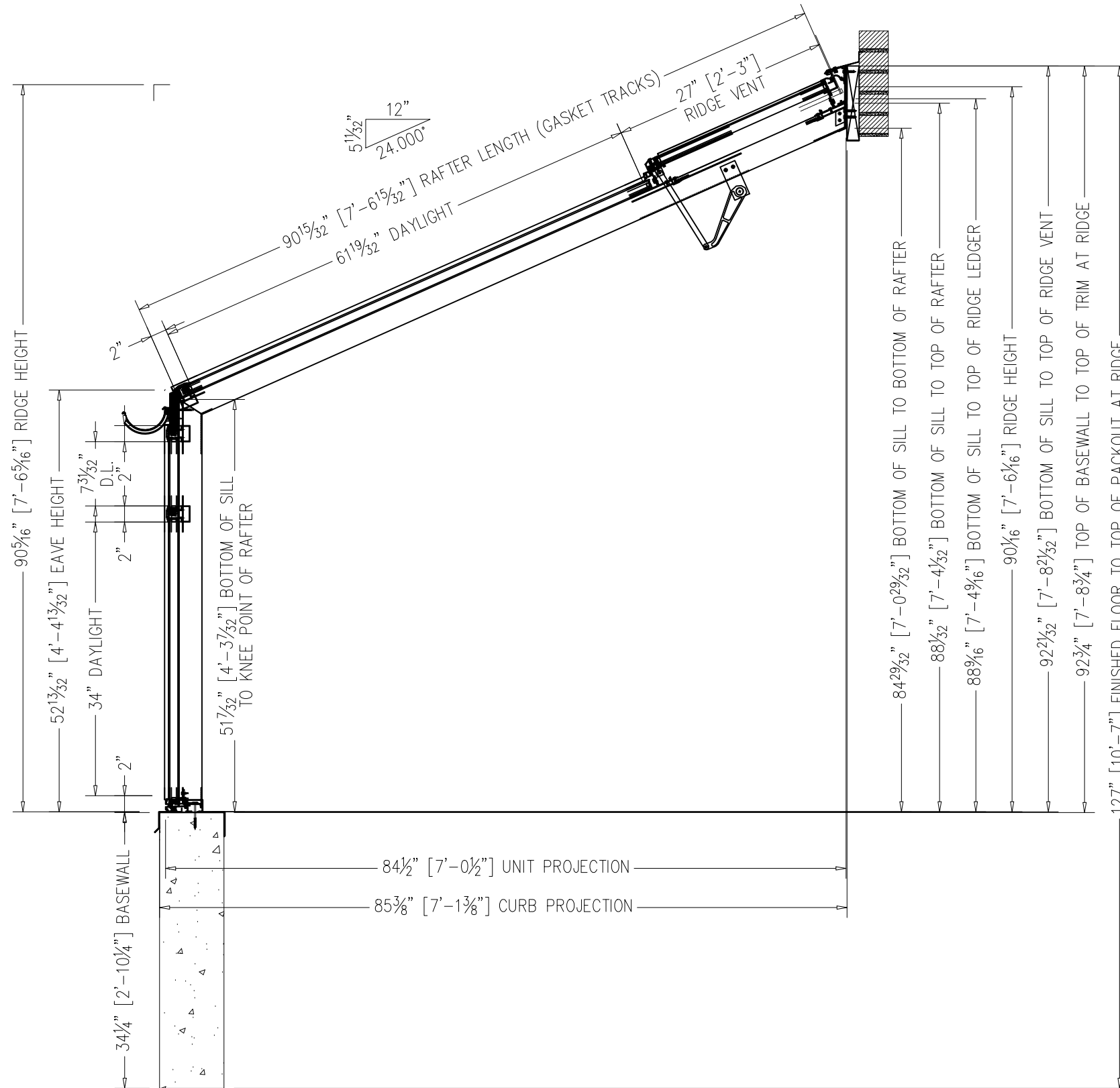
PAGE No.:



# SECTION A



SCALE: 3/4" = 1'-0"



**STONE 129 BEACON MA**  
 PETER AND BARBARA STONE  
 BOSTON, MA 02116

NEWHOUSE	AMIS	BY
	11-9-18	DATE
#		

DRAWN BY:  
 ALEX STESLOW / TYLER NEWHOUSE  
 PROJECT MANAGER:  
 JOSH MUSSEY (EXT. 3063)

ALL DRAWINGS ARE VIEWED FROM THE EXTERIOR LOOKING IN.

DRAWING SCALE:  
 3/4" = 1'-0"

JOB NO.:  
 18-10-580

QUOTE NO.:  
 12418

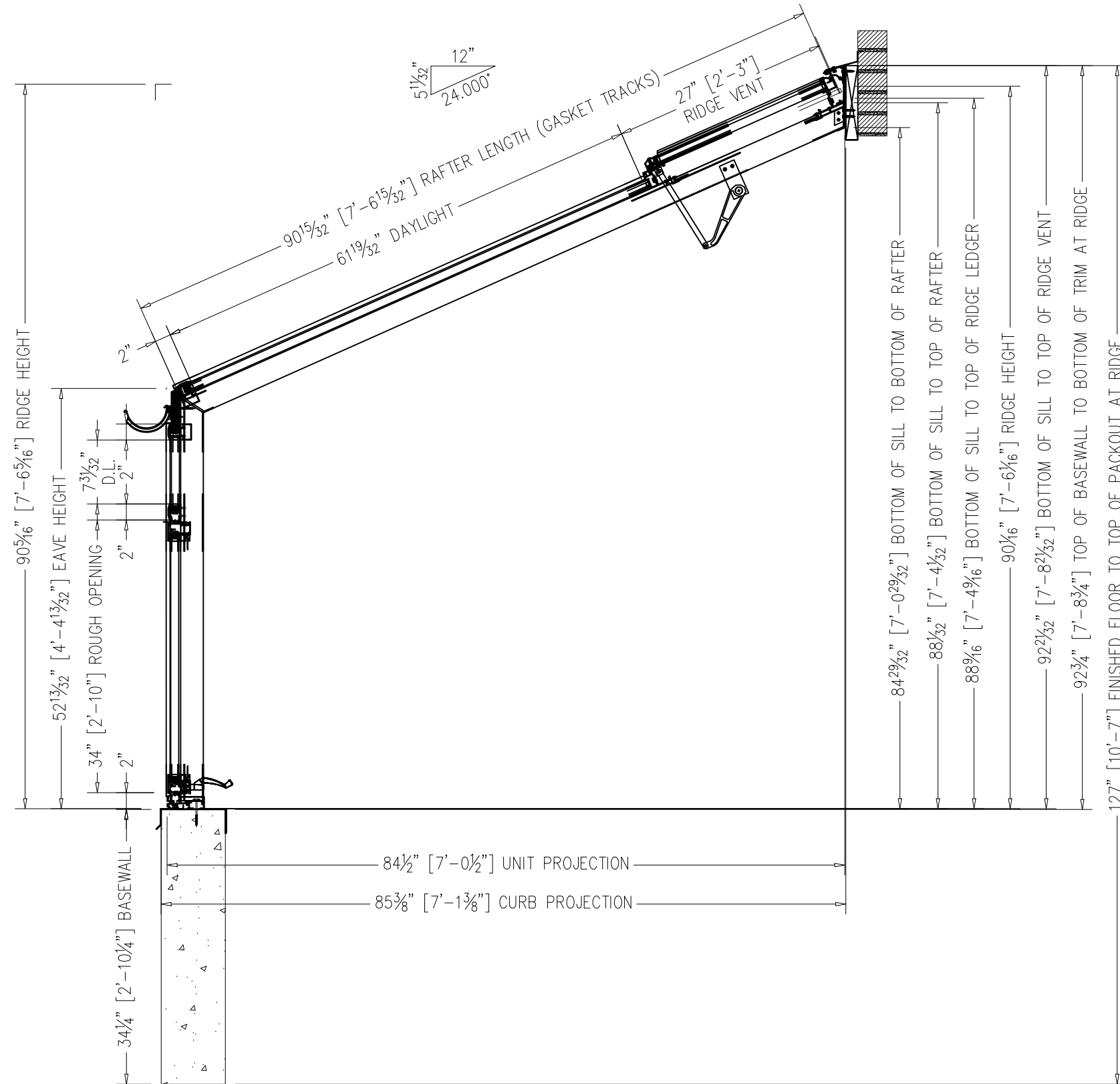
PAGE No.:



# SECTION B



SCALE: 3/4" = 1'-0"



**STONE 129 BEACON MA**  
**PETER AND BARBARA STONE**  
 BOSTON, MA 02116

PROJECT NAME	NEWHOUSE
DATE	11-9-18
BY	AMS

DRAWN BY:  
 ALEX STESLOW / TYLER NEWHOUSE

PROJECT MANAGER:  
 JOSH MUSSEY (EXT. 3063)

ALL DRAWINGS ARE VIEWED FROM THE EXTERIOR LOOKING IN.

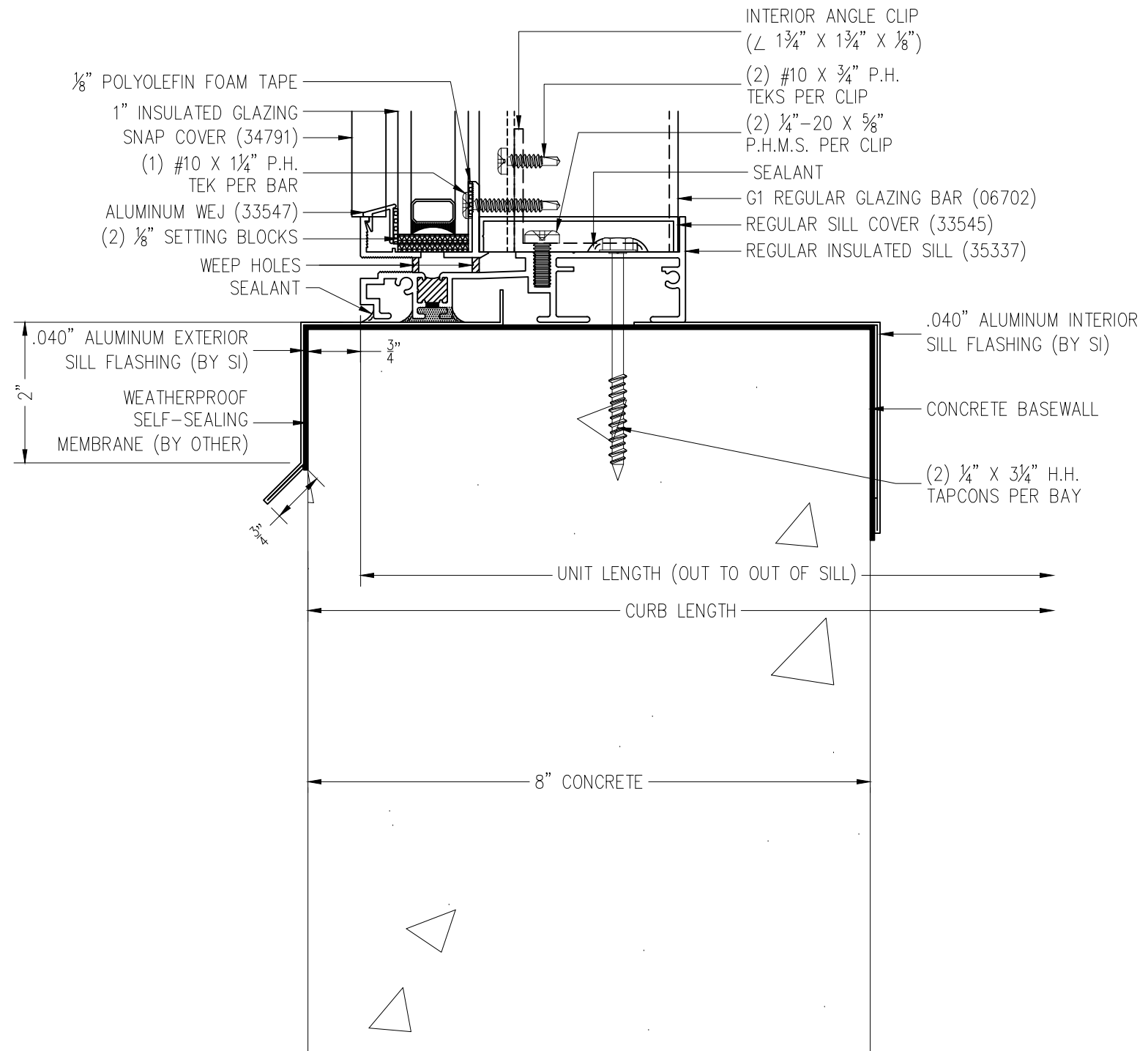
DRAWING SCALE:  
 3/4" = 1'-0"

JOB NO.:  
 18-10-580

QUOTE NO.:  
 12418

PAGE No.:





1 SILL  
DETAIL  
STANDARD DETAIL

NEWHOUSE	AMS	BY
	11-9-18	DATE
		#

DRAWN BY:  
ALEX STESLOW / TYLER NEWHOUSE

PROJECT MANAGER:  
JOSH MUSSEY (EXT. 3063)

ALL DRAWINGS ARE VIEWED FROM THE EXTERIOR LOOKING IN.

DRAWING SCALE:  
6" = 1'-0"

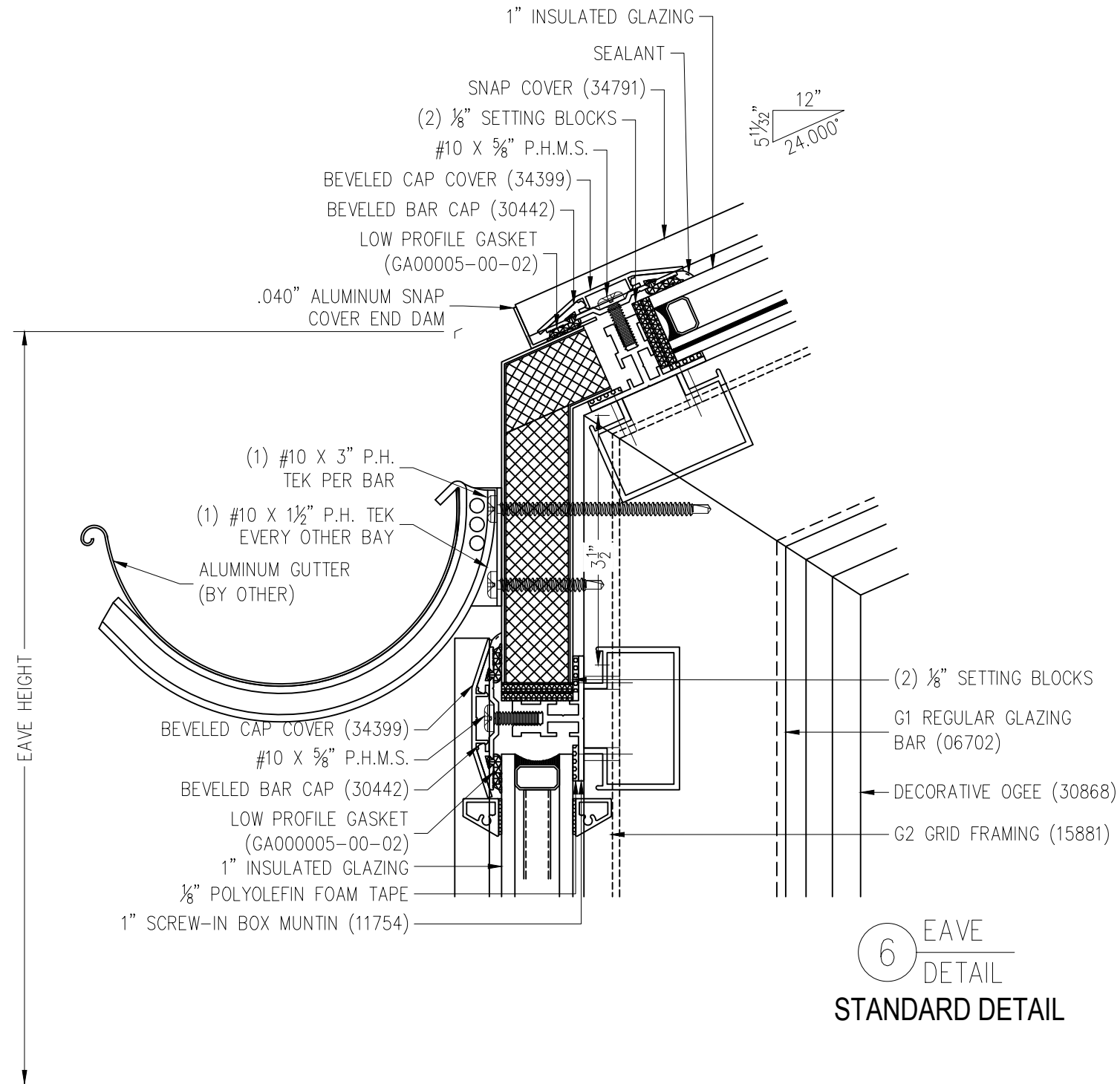
JOB NO.:  
18-10-580

QUOTE NO.:  
12418

PAGE No.:







			AMS	BY
			11-9-18	DATE
			#	
	NEWHOUSE			

DRAWN BY:  
ALEX STESLOW / TYLER NEWHOUSE

PROJECT MANAGER:  
JOSH MUSSEY (EXT. 3063)

ALL DRAWINGS ARE VIEWED FROM THE EXTERIOR LOOKING IN.

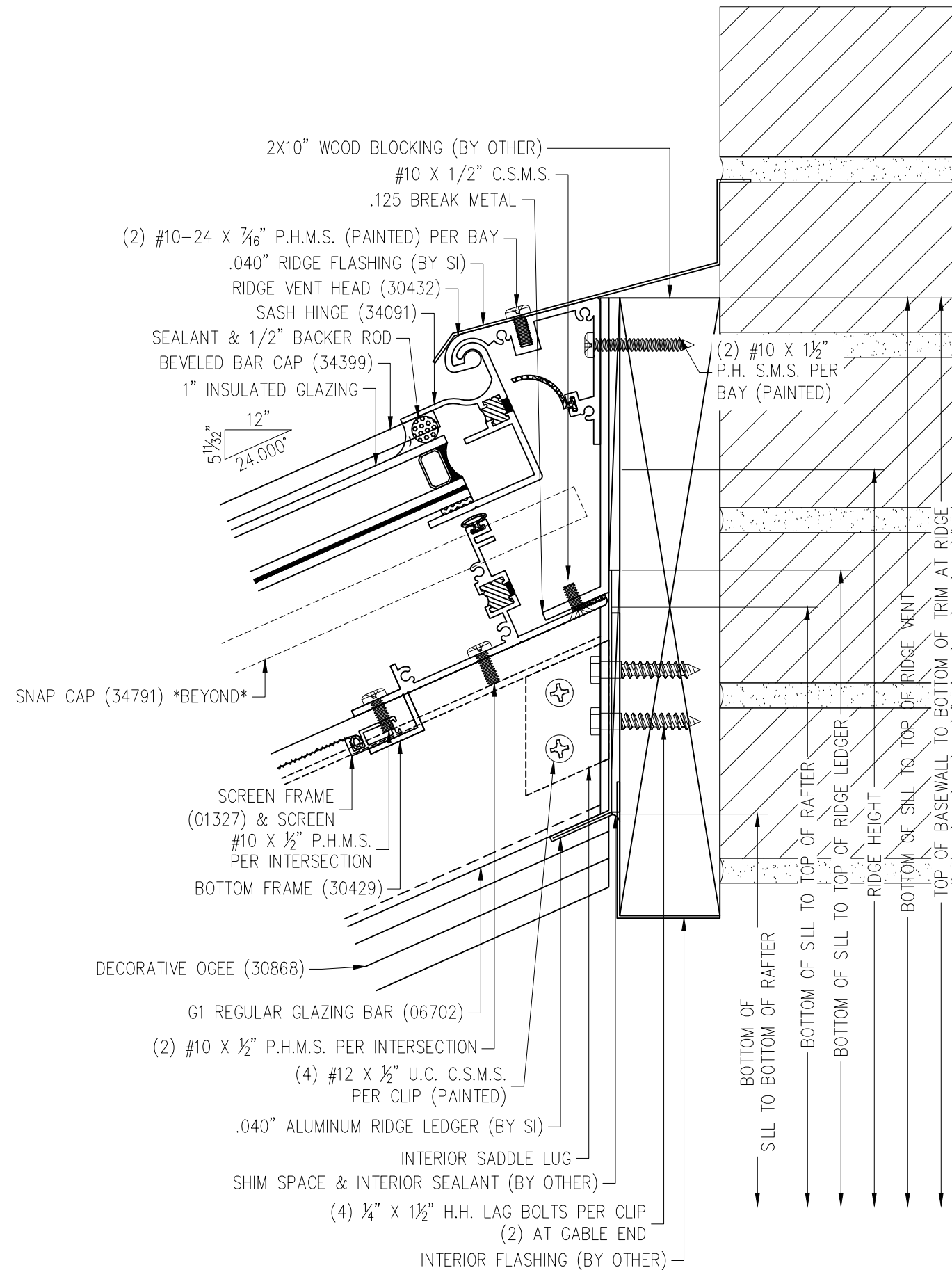
DRAWING SCALE:  
6" = 1'-0"

JOB NO.:  
18-10-580

QUOTE NO.:  
12418

PAGE No.:

7 RIDGE VENT  
HEAD DETAIL  
STANDARD DETAIL



**STONE 129 BEACON MA**  
 PETER AND BARBARA STONE  
 BOSTON, MA 02116

PROJECT	NEWHOUSE	DATE	11-9-18	BY	AMS
DATE		#			

DRAWN BY:  
 ALEX STESLOW / TYLER NEWHOUSE  
 PROJECT MANAGER:  
 JOSH MUSSEY (EXT. 3063)

ALL DRAWINGS ARE VIEWED FROM THE EXTERIOR LOOKING IN.

DRAWING SCALE:  
 6" = 1'-0"

JOB NO.:  
 18-10-580

QUOTE NO.:  
 12418

PAGE No.:

19 OF 34



DATE	11-9-18	AMS	BY
#			

DRAWN BY: ALEX STESLOW / TYLER NEWHOUSE  
PROJECT MANAGER: JOSH MUSSEY (EXT. 3063)

ALL DRAWINGS ARE VIEWED FROM THE EXTERIOR LOOKING IN.

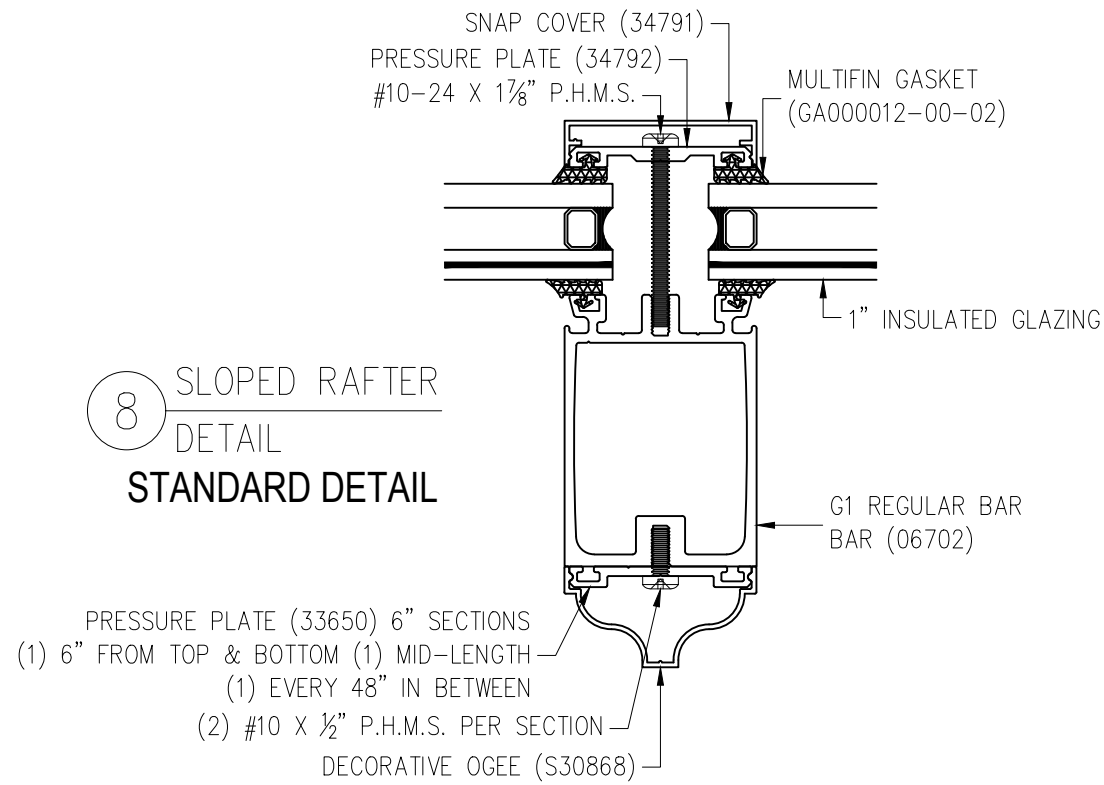
DRAWING SCALE: 6" = 1'-0"

JOB NO.: 18-10-580

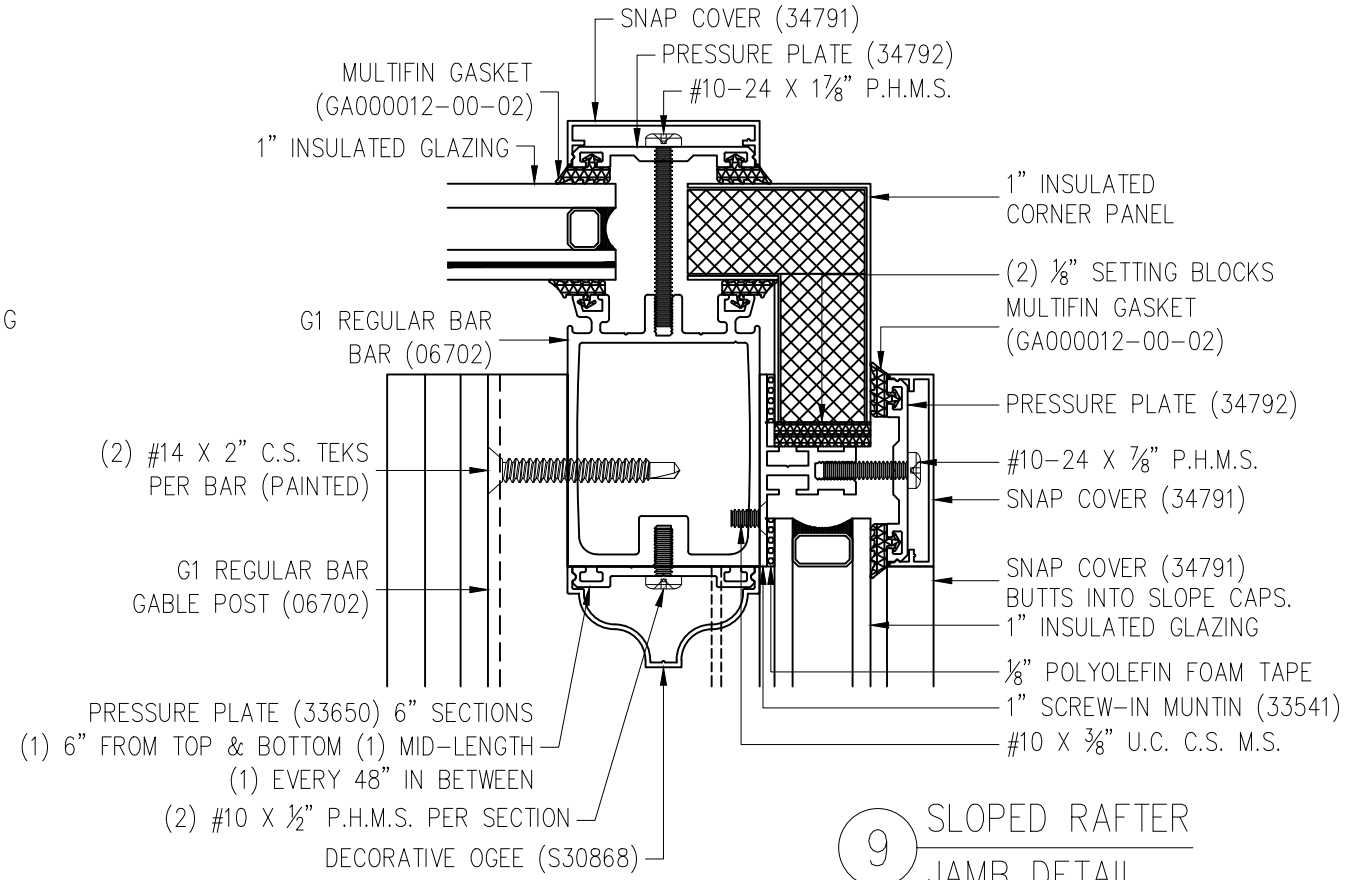
QUOTE NO.: 12418

PAGE No.:

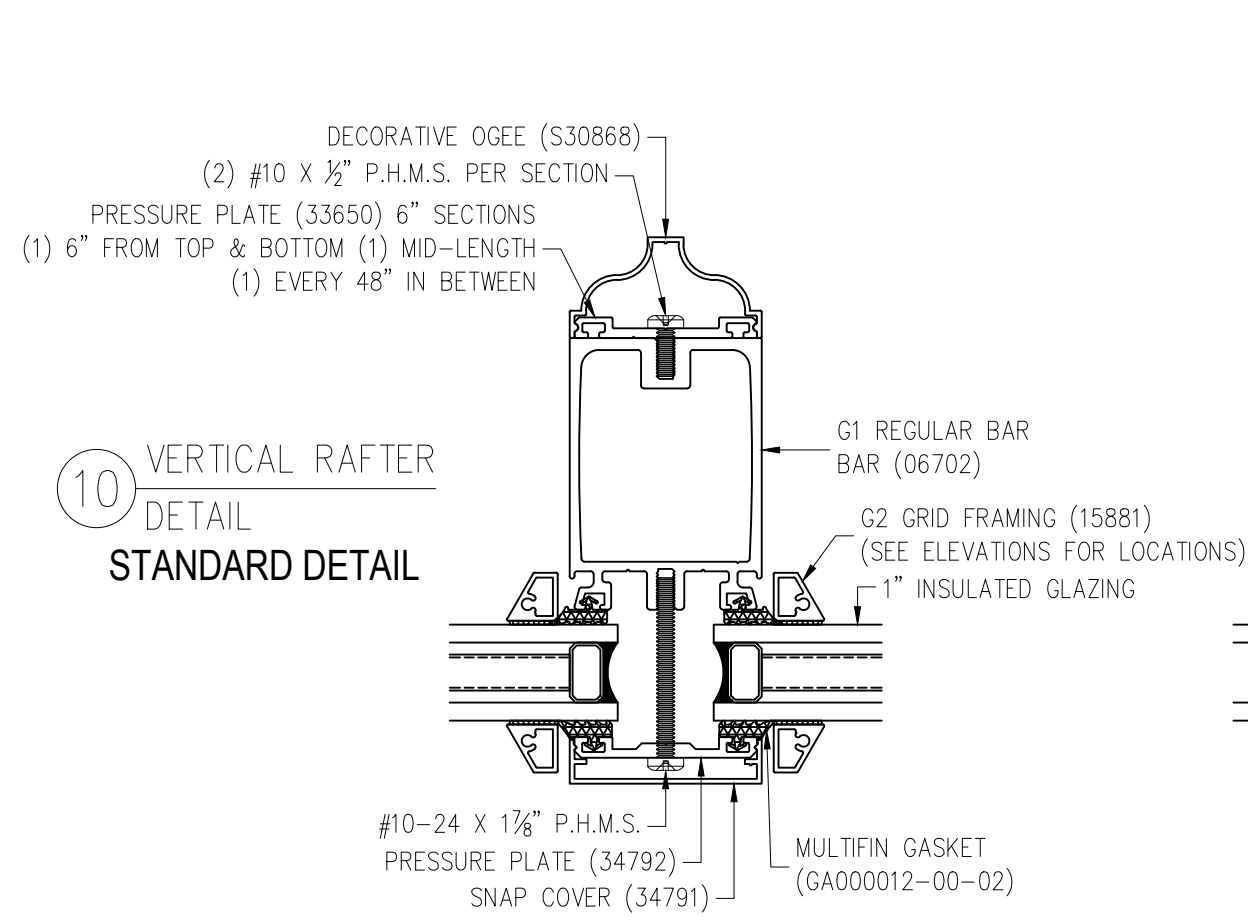
**8 SLOPED RAFTER  
DETAIL  
STANDARD DETAIL**



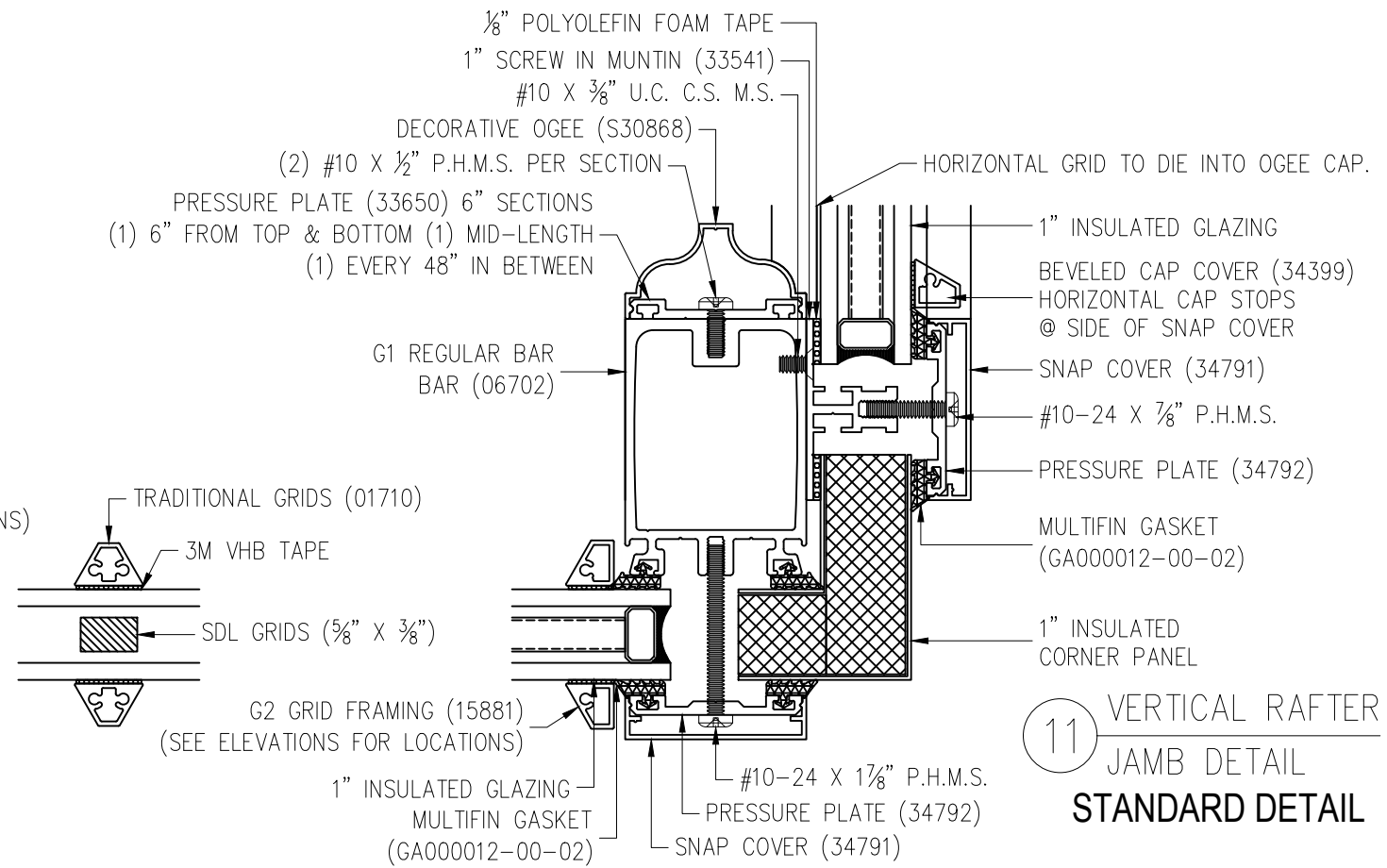
**9 SLOPED RAFTER  
JAMB DETAIL  
STANDARD DETAIL**

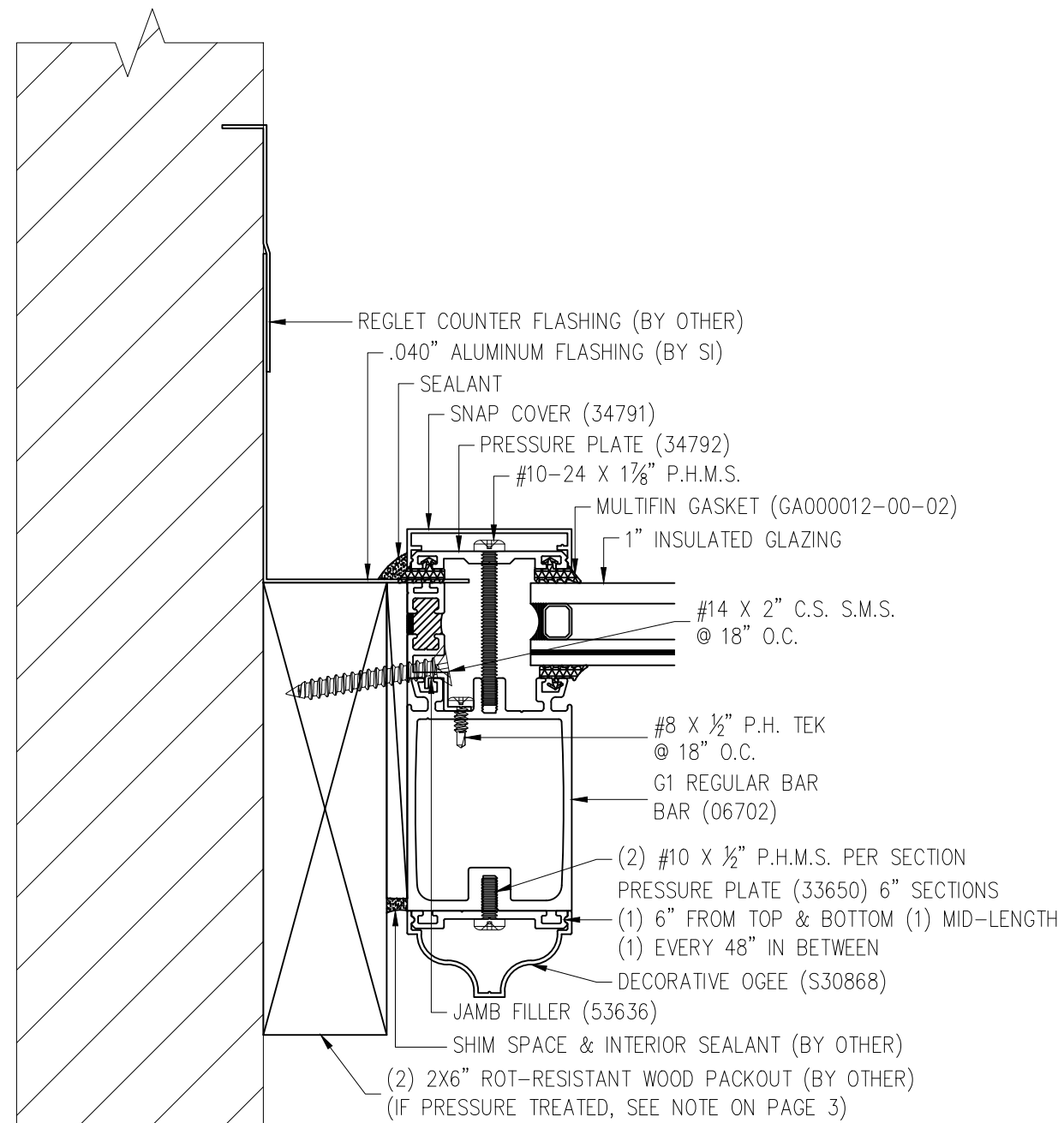


**10 VERTICAL RAFTER  
DETAIL  
STANDARD DETAIL**

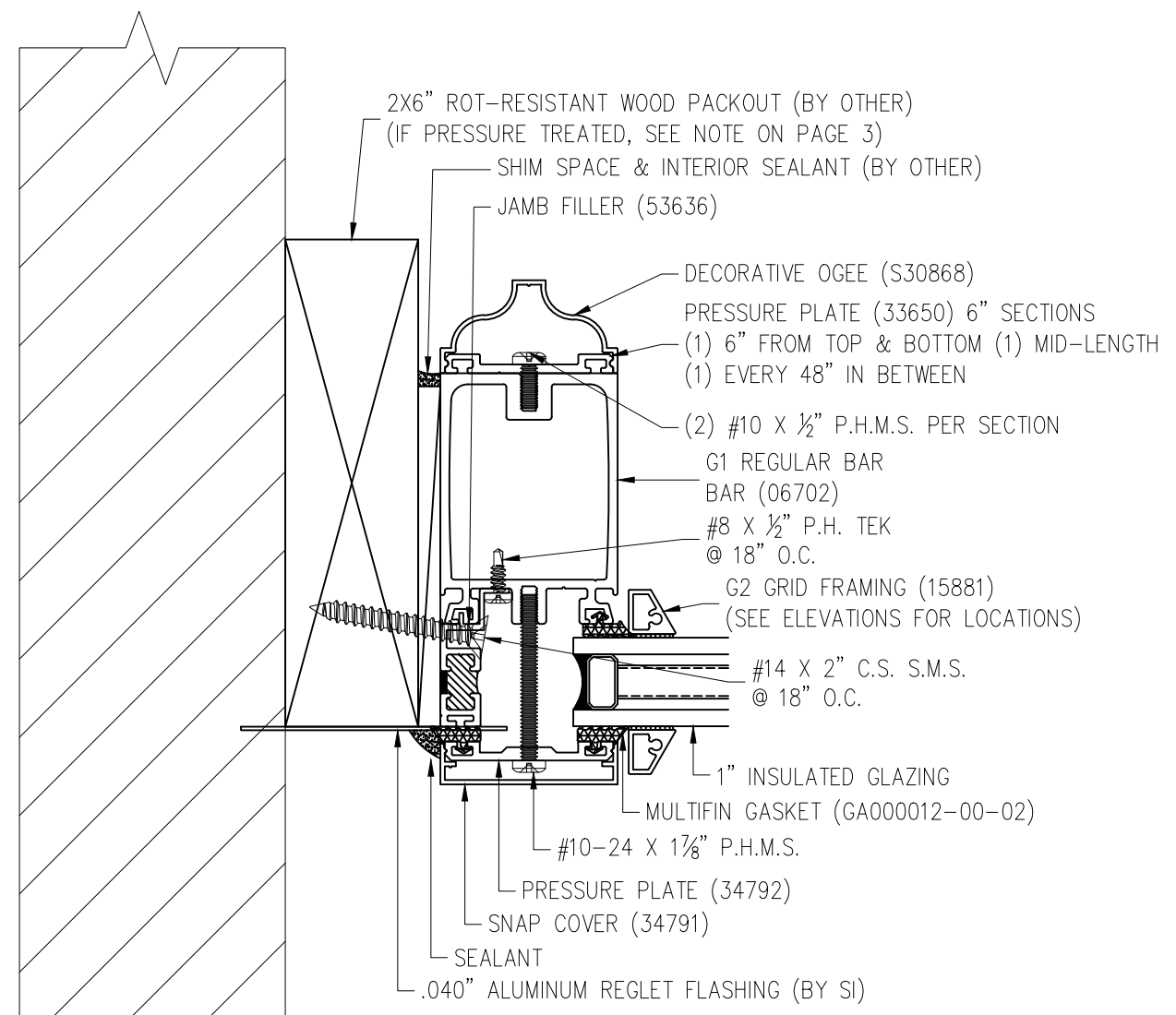


**11 VERTICAL RAFTER  
JAMB DETAIL  
STANDARD DETAIL**

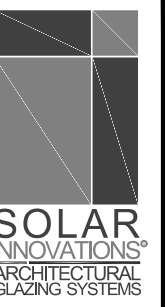




12 SLOPED RAFTER JAMB DETAIL STANDARD DETAIL



13 VERTICAL RAFTER JAMB DETAIL STANDARD DETAIL



**STONE 129 BEACON MA**  
 PETER AND BARBARA STONE  
 BOSTON, MA 02116

NEWHOUSE	AMIS	BY
	11-9-18	DATE
	#	

DRAWN BY:  
 ALEX STESLOW / TYLER NEWHOUSE  
 PROJECT MANAGER:  
 JOSH MUSSEY (EXT. 3063)

ALL DRAWINGS ARE VIEWED FROM THE EXTERIOR LOOKING IN.

DRAWING SCALE:  
 6" = 1'-0"

JOB NO.:  
 18-10-580

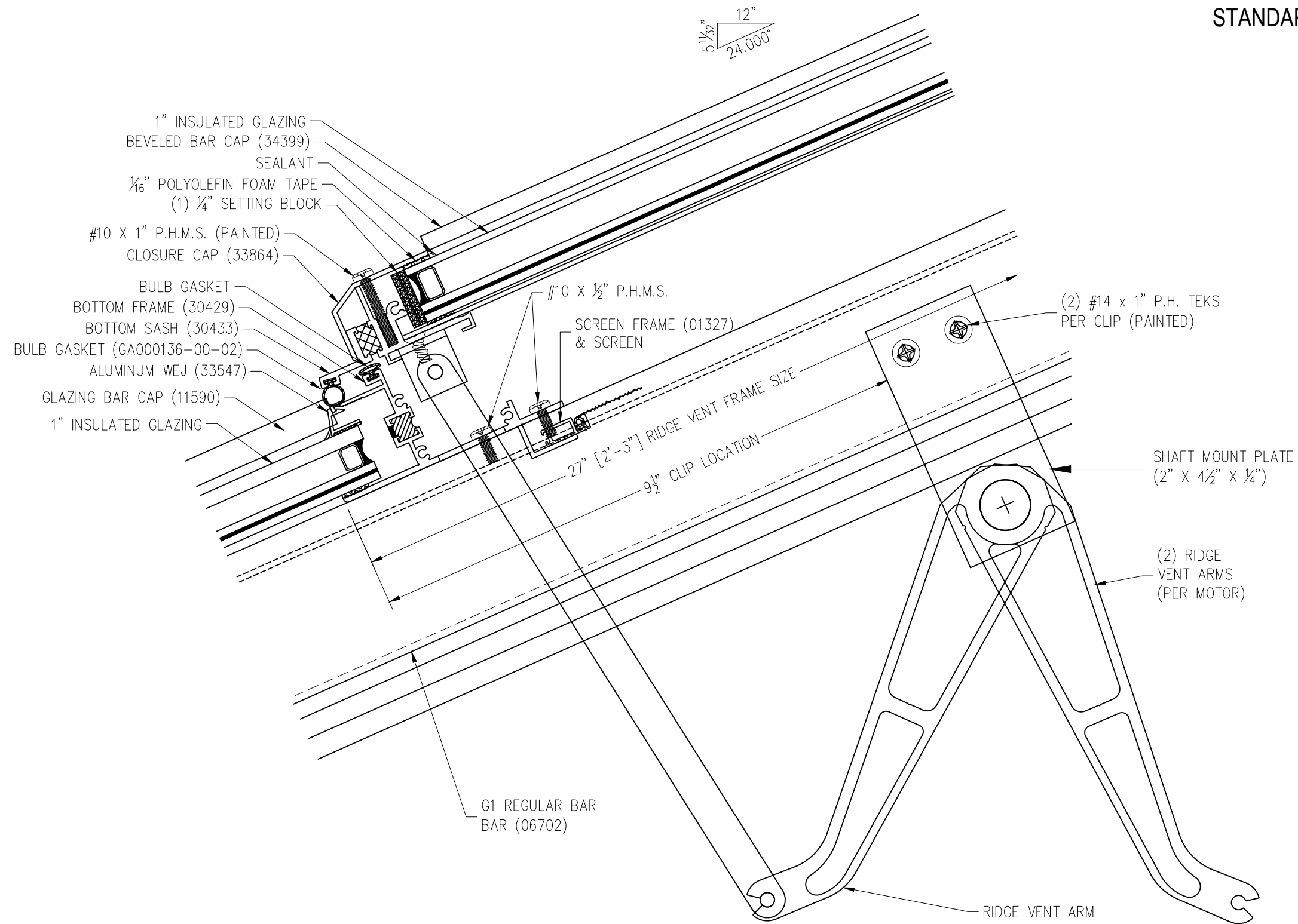
QUOTE NO.:  
 12418

PAGE No.:





17 RIDGE VENT  
SILL DETAIL  
STANDARD DETAIL



**STONE 129 BEACON MA**  
PETER AND BARBARA STONE  
BOSTON, MA 02116

PROJECT	NEWHOUSE	DATE	11-9-18	BY	AMS
NO.		#			

DRAWN BY:  
ALEX STESLOW / TYLER NEWHOUSE

PROJECT MANAGER:  
JOSH MUSSEY (EXT. 3063)

ALL DRAWINGS ARE  
VIEWED FROM THE  
EXTERIOR LOOKING IN.

DRAWING SCALE:  
6" = 1'-0"

JOB NO.:  
18-10-580

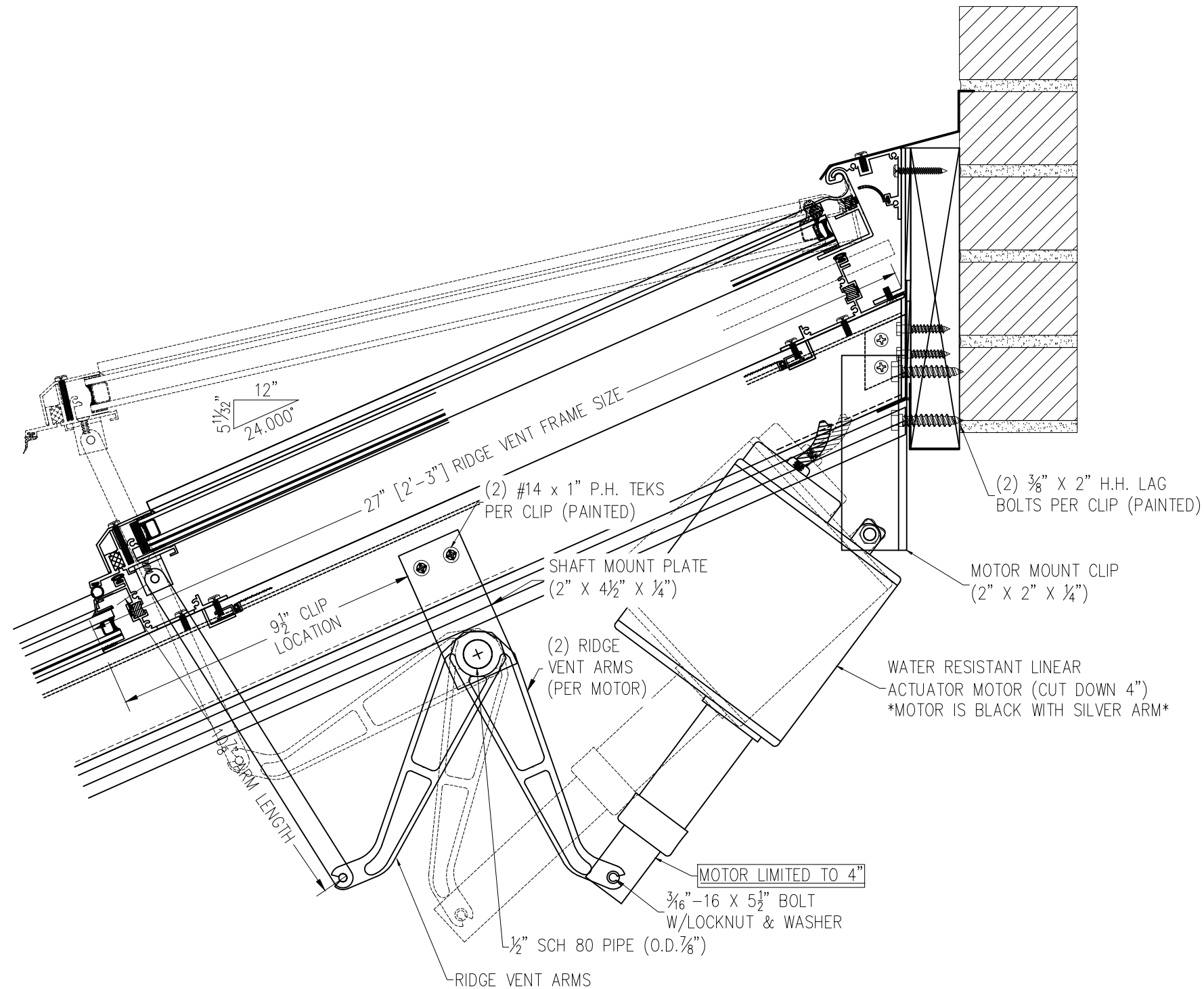
QUOTE NO.:  
12418

PAGE No.:

23 OF 34



RIDGE VENT  
SECTION  
STANDARD DETAIL



**STONE 129 BEACON MA**  
PETER AND BARBARA STONE  
BOSTON, MA 02116

PROJECT #	11-9-18	AMS	BY
DATE			

DRAWN BY: ALEX STESLOW / TYLER NEWHOUSE  
PROJECT MANAGER: JOSH MUSSEY (EXT. 3063)

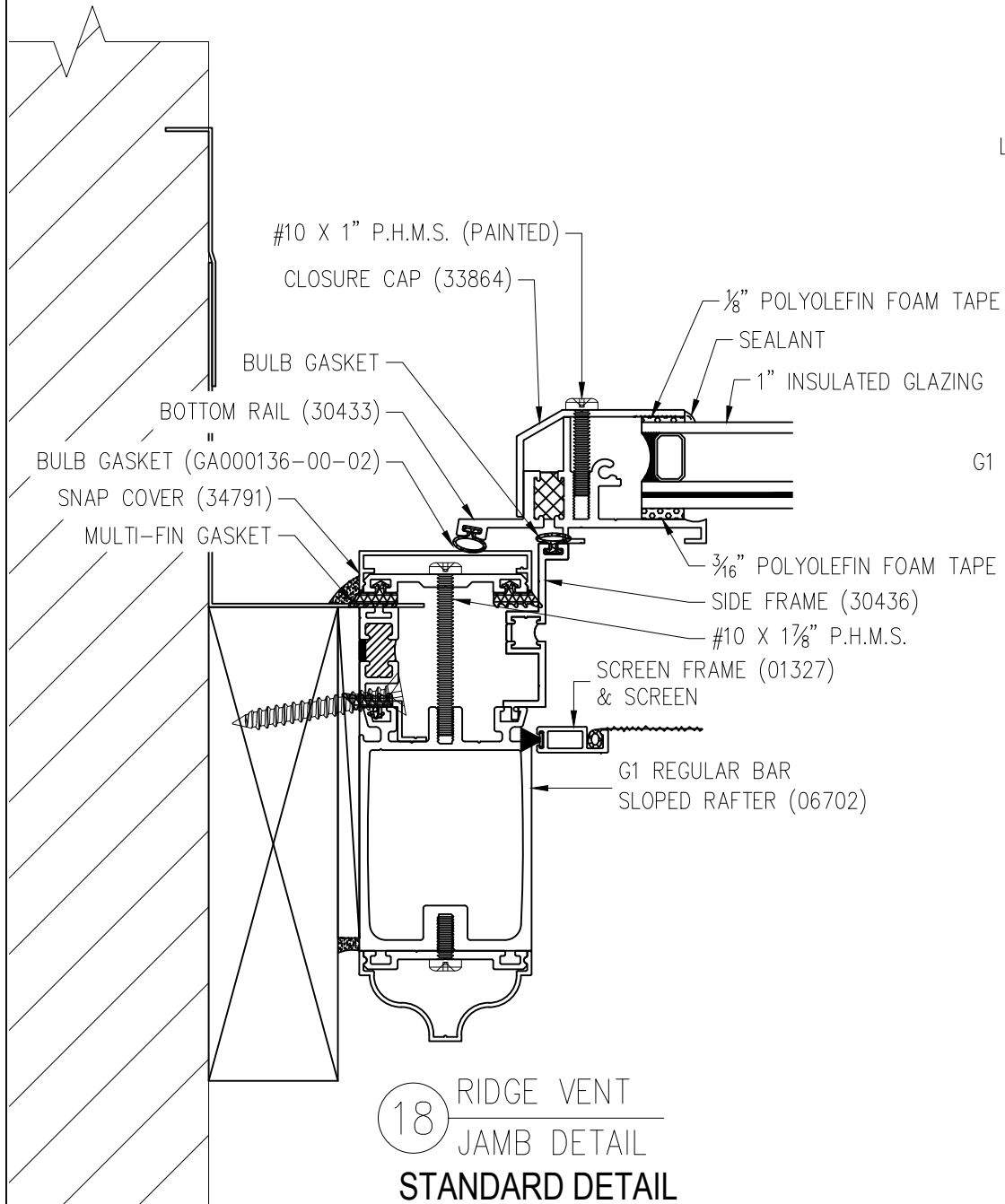
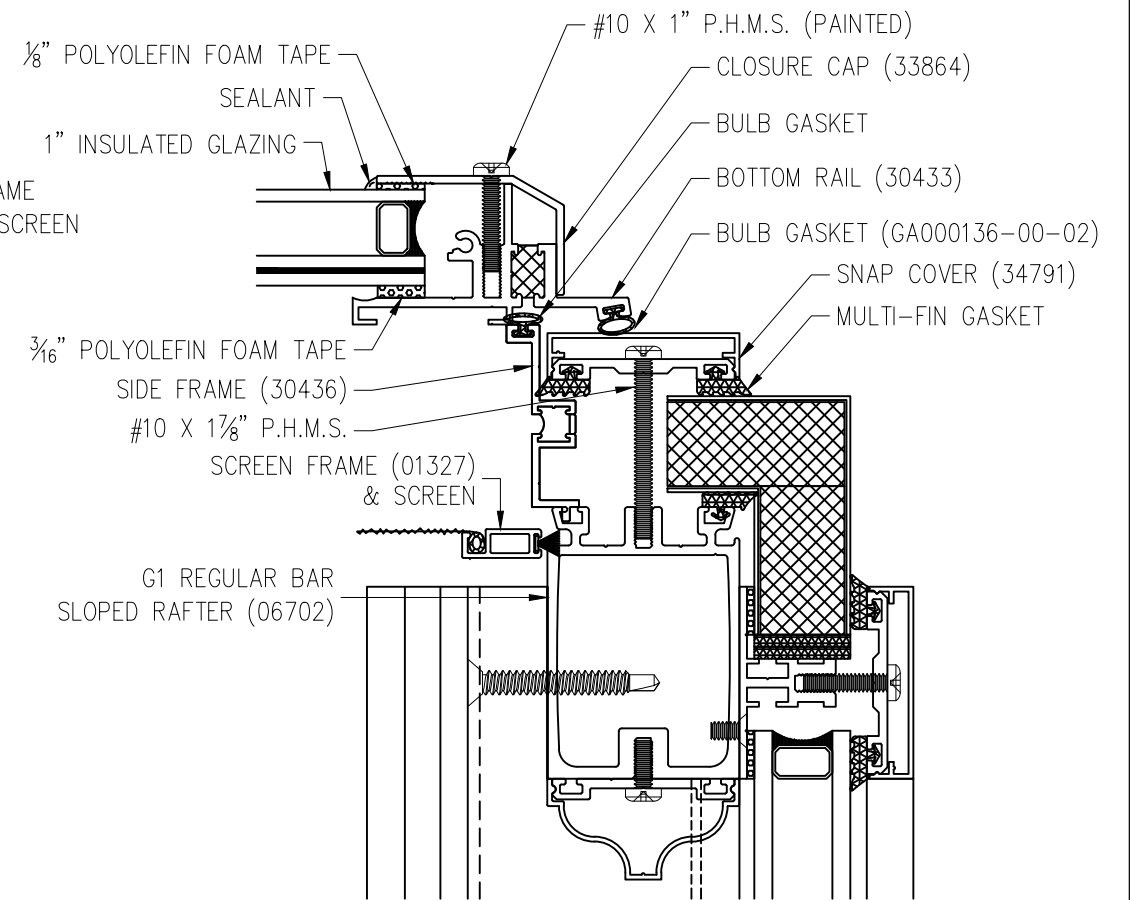
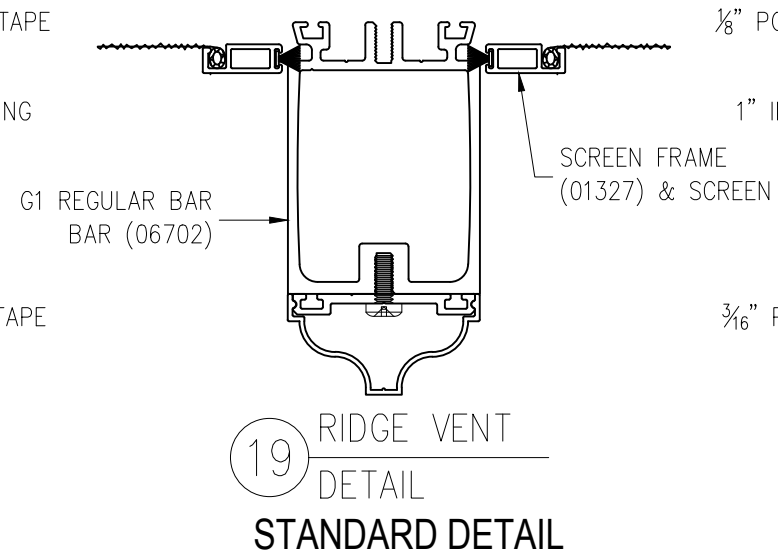
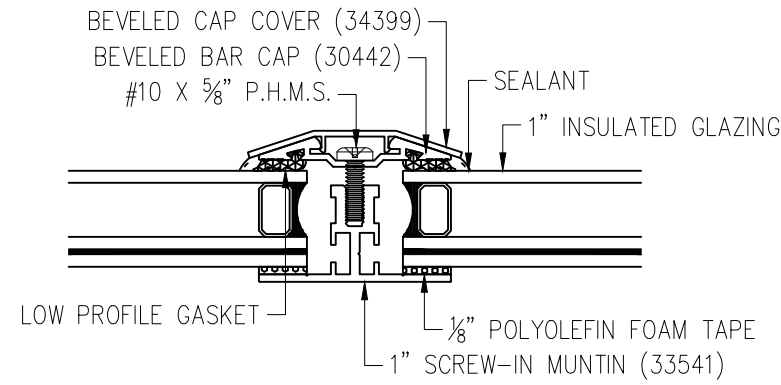
ALL DRAWINGS ARE VIEWED FROM THE EXTERIOR LOOKING IN.

DRAWING SCALE: 3" = 1'-0"

JOB NO.: 18-10-580

QUOTE NO.: 12418

PAGE No.:



PROJECT	DATE	BY
NEWHOUSE	11-9-18	AMS
#		

DRAWN BY:  
ALEX STESLOW / TYLER NEWHOUSE

PROJECT MANAGER:  
JOSH MUSSEY (EXT. 3063)

ALL DRAWINGS ARE VIEWED FROM THE EXTERIOR LOOKING IN.

DRAWING SCALE:  
6" = 1'-0"

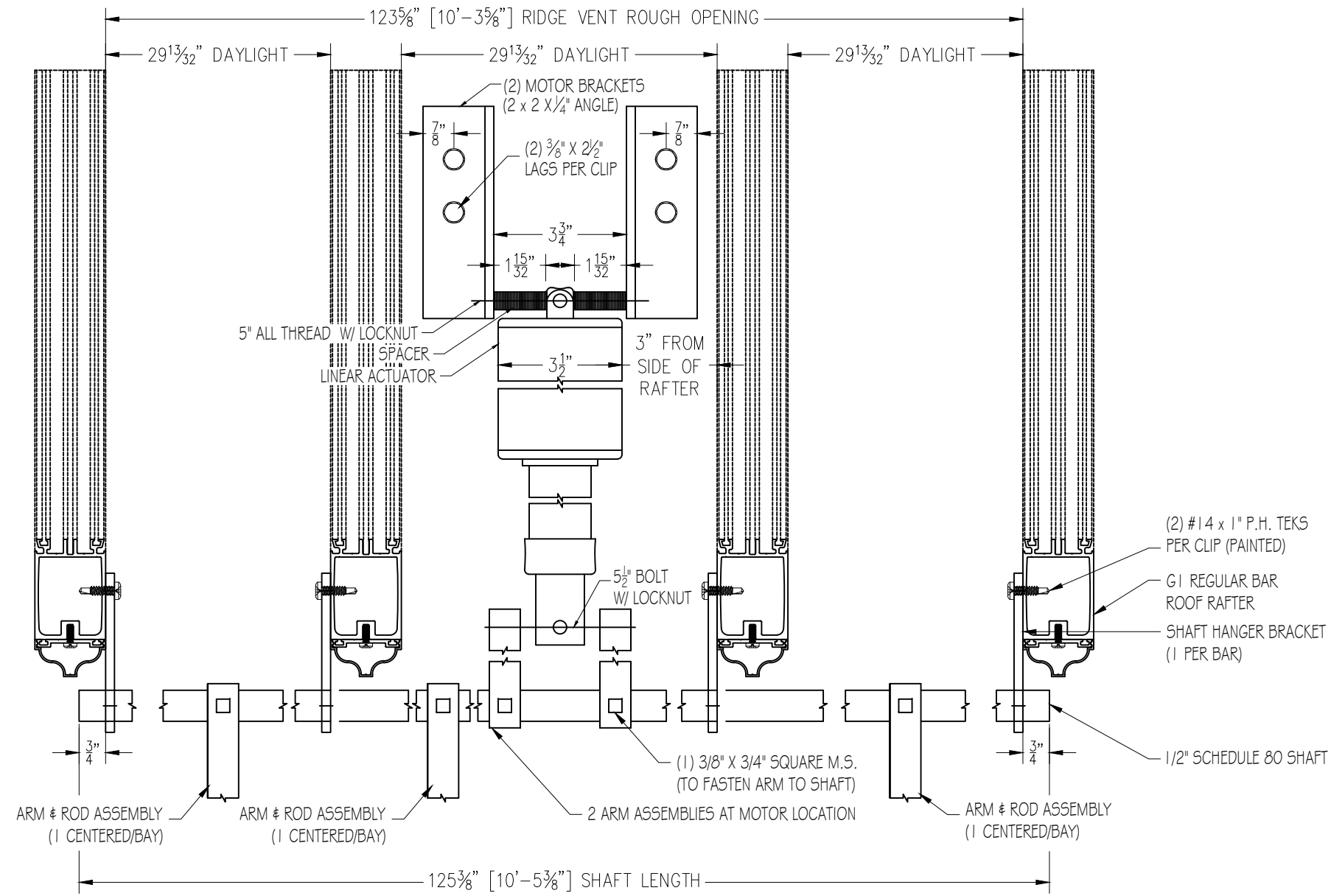
JOB NO.:  
18-10-580

QUOTE NO.:  
12418

PAGE No.:



NOTE: MOTOR LOCATION IS SHOWN AS  
IF LOOKING AT FRONT OF UNIT



THREE (3) BAY RIDGE VENT (QTY: 1)

	ITEM	NOTES	QTY
	SHAFT MTG. PLATE	2X4.5X.25	4
	MOTOR MOUNT CLIPS	2X2X.25	2
	RIDGE VENT ARMS	SINGLE	3
	ACTUATOR ARMS	SINGLE	2
	SHAFT	1/2" SCH. 80	1

RIDGE VENT MOTOR LOCATION  
AND SHAFT LENGTHS

NEWHOUSE	AMS	BY
	11-9-18	DATE
	#	

DRAWN BY:  
ALEX STESLOW / TYLER NEWHOUSE

PROJECT MANAGER:  
JOSH MUSSEY (EXT. 3063)

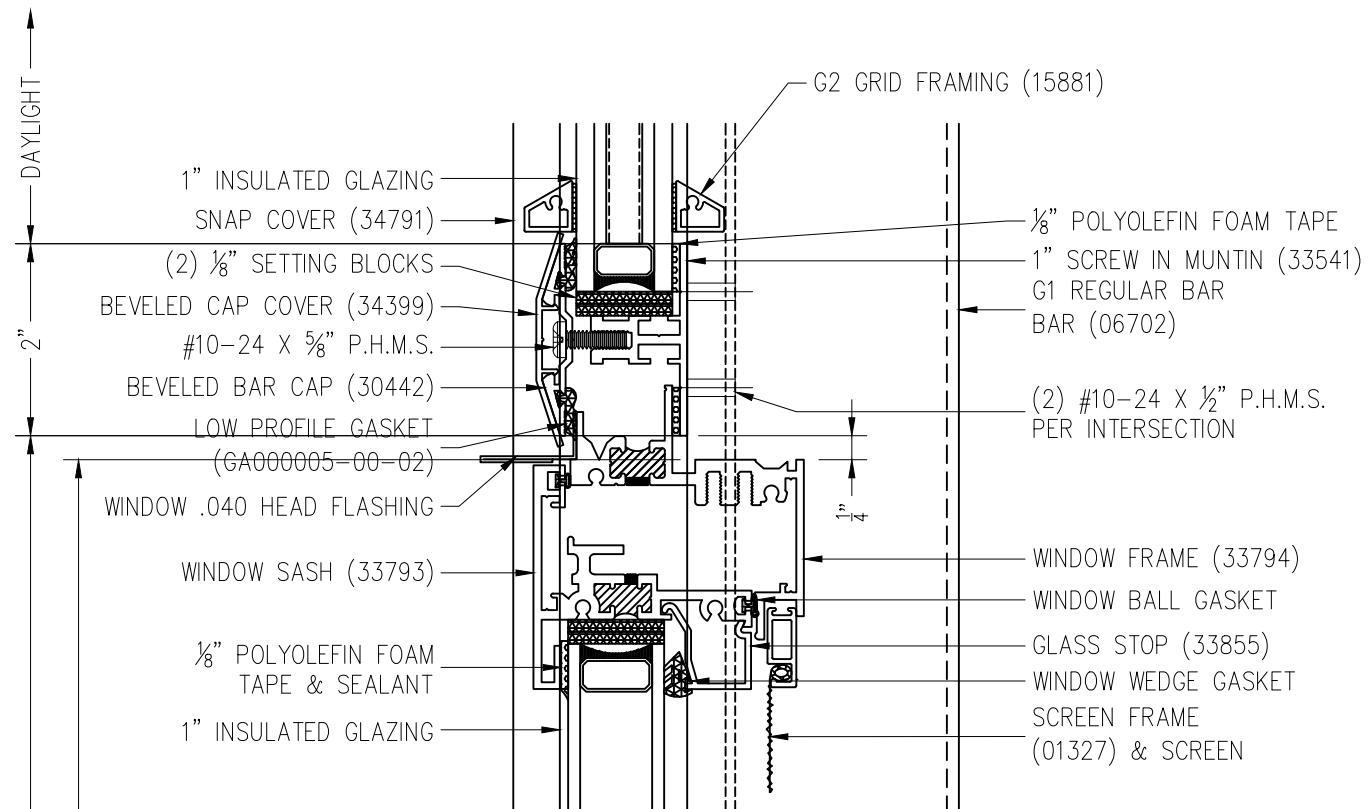
ALL DRAWINGS ARE  
VIEWED FROM THE  
EXTERIOR LOOKING IN.

DRAWING SCALE:  
3" = 1'-0"

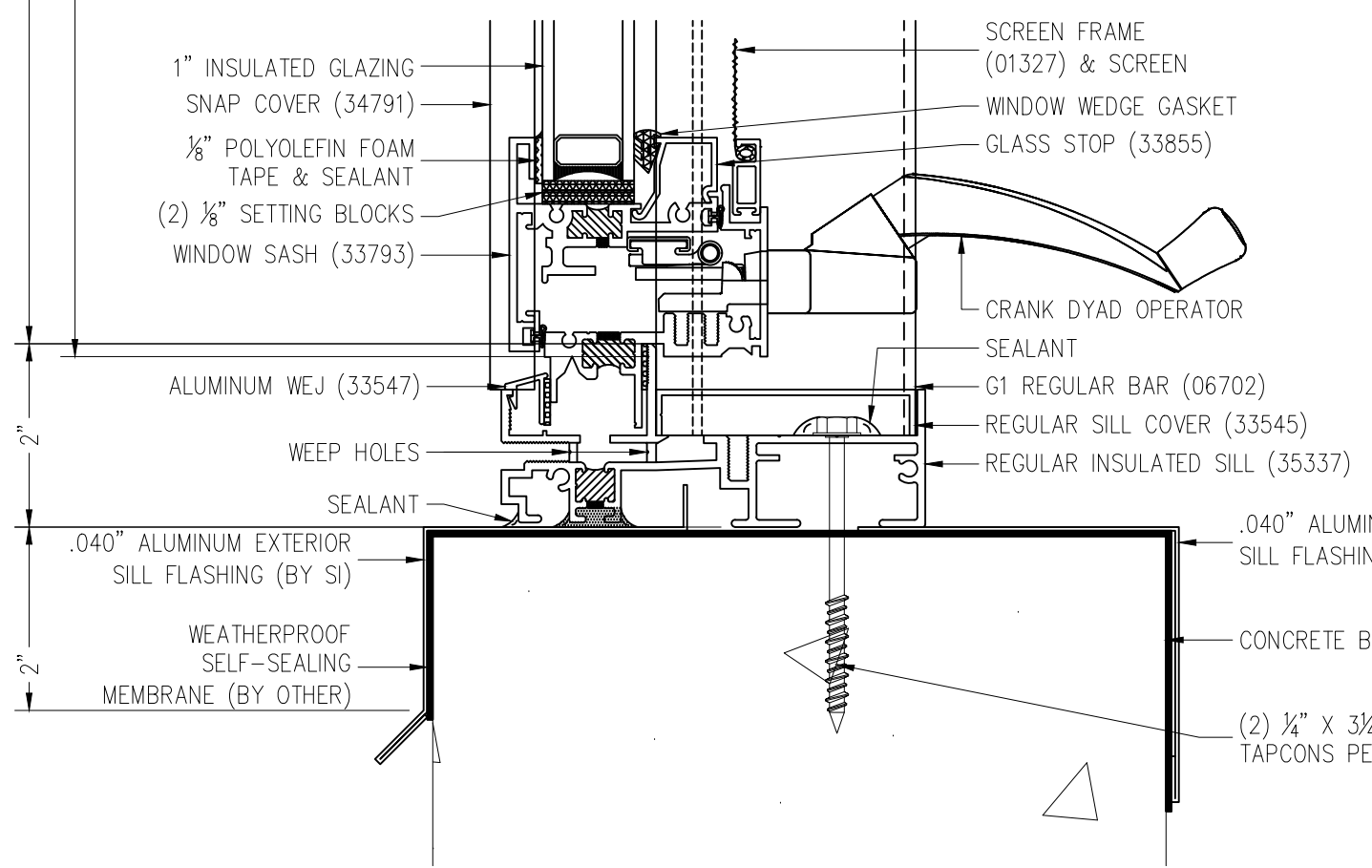
JOB NO.:  
18-10-580

QUOTE NO.:  
12418

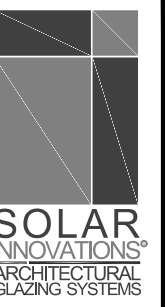
PAGE No.:



22 AWNING WINDOW  
HEAD DETAIL  
STANDARD DETAIL



21 AWNING WINDOW  
SILL DETAIL  
STANDARD DETAIL



**STONE 129 BEACON MA**  
PETER AND BARBARA STONE  
BOSTON, MA 02116

PROJECT #	11-9-18	DATE
DRAWN BY	AM/S	BY
PROJECT MANAGER	JOSH MUSSEY (EXT. 3063)	

DRAWN BY: ALEX STESLOW / TYLER NEWHOUSE  
PROJECT MANAGER: JOSH MUSSEY (EXT. 3063)

ALL DRAWINGS ARE VIEWED FROM THE EXTERIOR LOOKING IN.

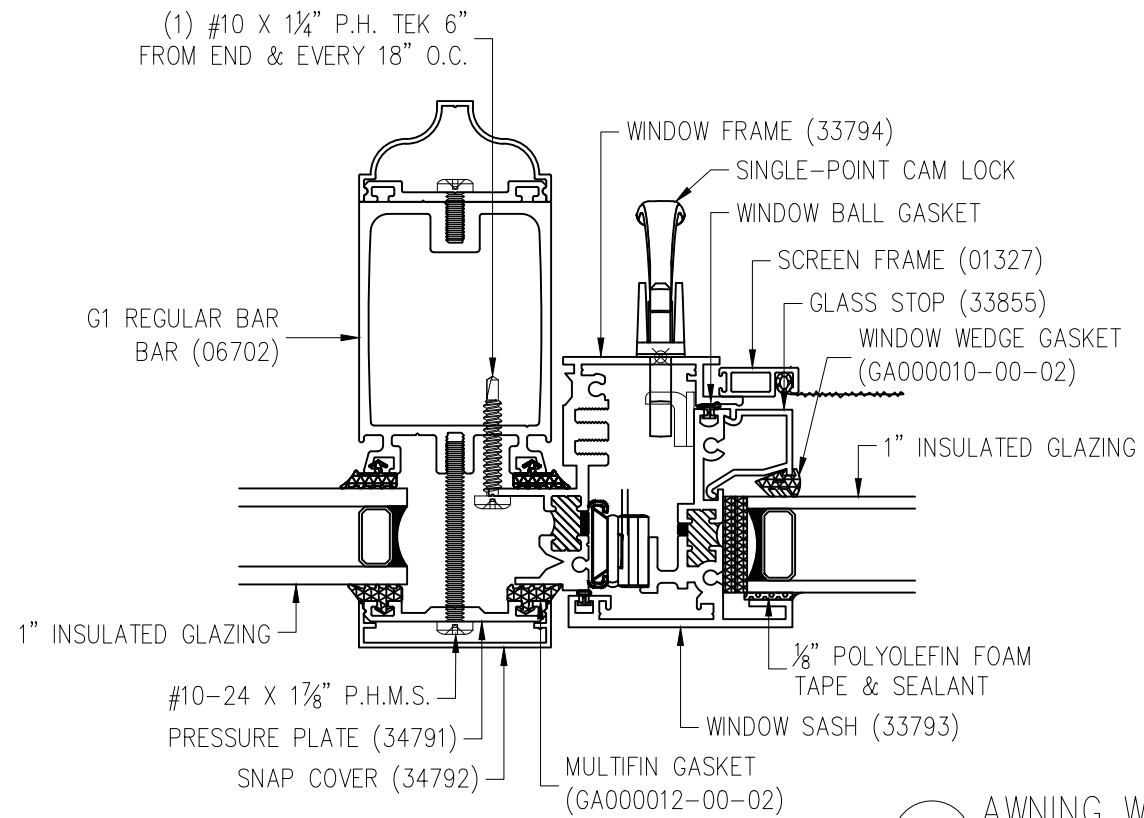
DRAWING SCALE: 6" = 1'-0"

JOB NO.: 18-10-580

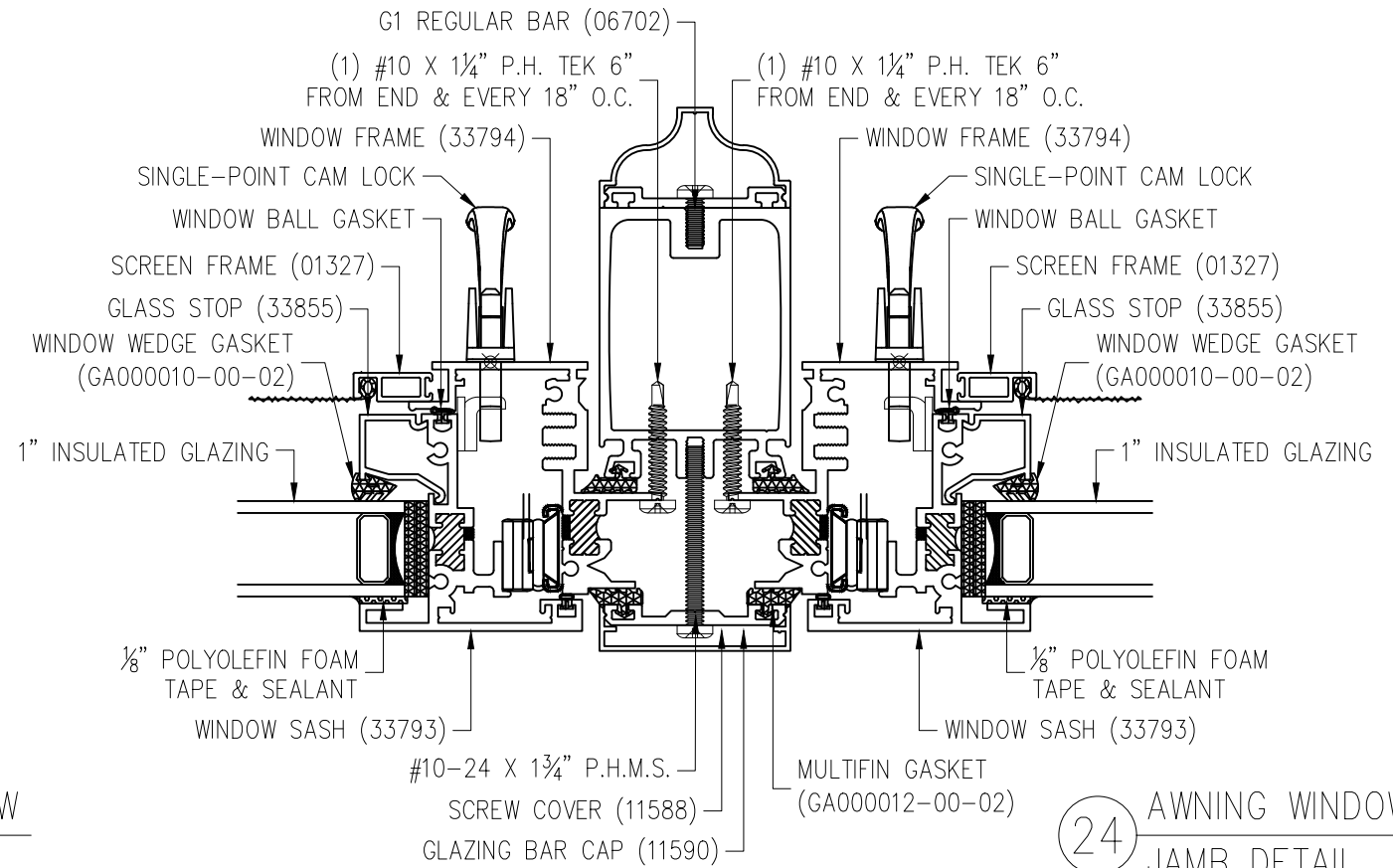
QUOTE NO.: 12418

PAGE No.:





23 AWNING WINDOW  
JAMB DETAIL  
STANDARD DETAIL



24 AWNING WINDOW  
JAMB DETAIL  
STANDARD DETAIL

			AMS	BY
			11-9-18	
			DATE	
			#	

DRAWN BY:  
ALEX STESLOW / TYLER NEWHOUSE

PROJECT MANAGER:  
JOSH MUSSEY (EXT. 3063)

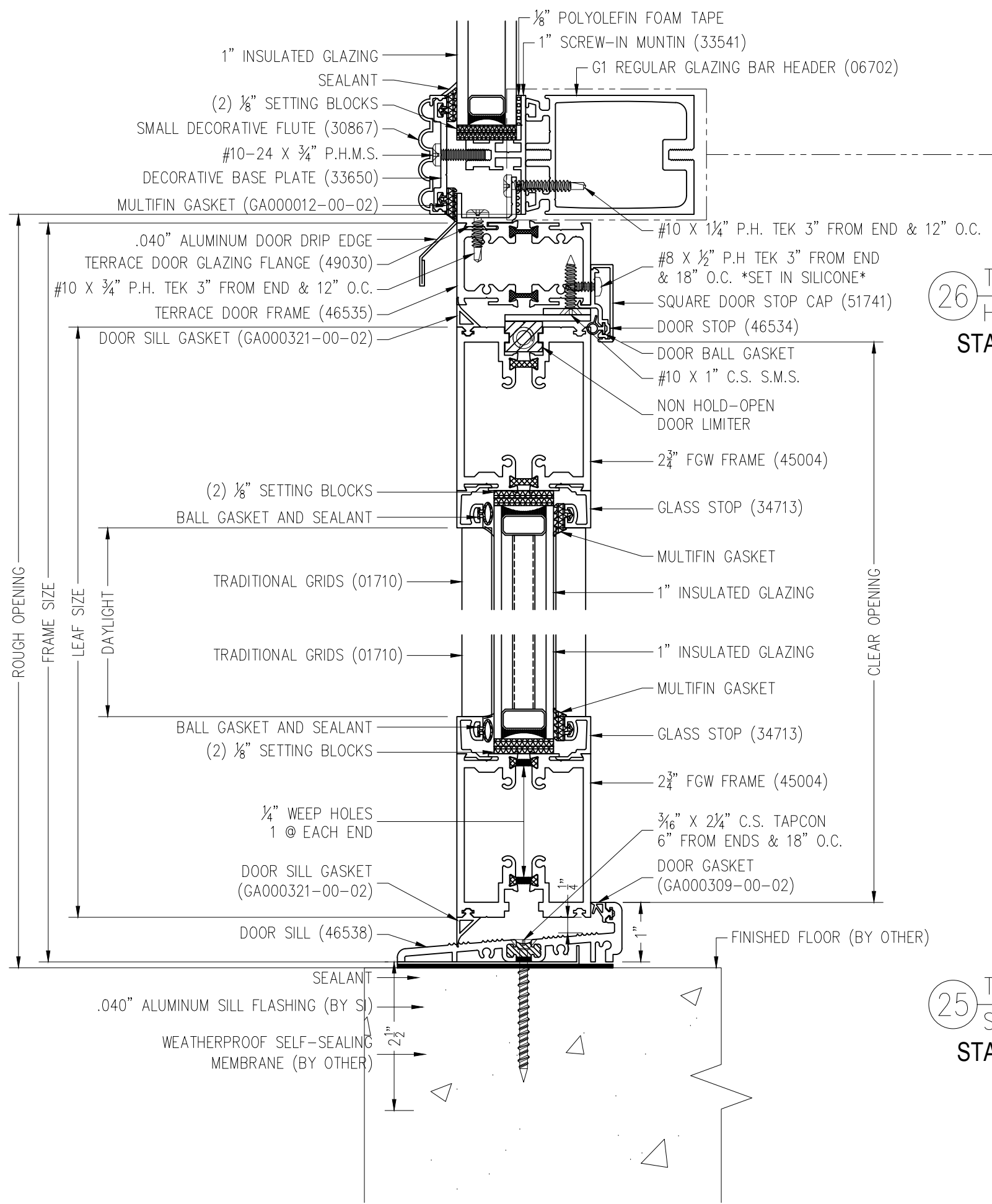
ALL DRAWINGS ARE  
VIEWED FROM THE  
EXTERIOR LOOKING IN.

DRAWING SCALE:  
6" = 1'-0"

JOB NO.:  
18-10-580

QUOTE NO.:  
12418

PAGE No.:



26 TARRACE DOOR HEAD DETAIL STANDARD DETAIL

25 TARRACE DOOR SILL DETAIL STANDARD DETAIL



**STONE 129 BEACON MA**  
 PETER AND BARBARA STONE  
 BOSTON, MA 02116

NEWHOUSE	AMS	BY
	11-9-18	DATE
	#	

DRAWN BY:  
 ALEX STESLOW / TYLER NEWHOUSE

PROJECT MANAGER:  
 JOSH MUSSEY (EXT. 3063)

ALL DRAWINGS ARE VIEWED FROM THE EXTERIOR LOOKING IN.

DRAWING SCALE:  
 6" = 1'-0"

JOB NO.:  
 18-10-580

QUOTE NO.:  
 12418

PAGE No.:

DATE	11-9-18	BY	AMS
#			

DRAWN BY: ALEX STESLOW / TYLER NEWHOUSE  
PROJECT MANAGER: JOSH MUSSEY (EXT. 3063)

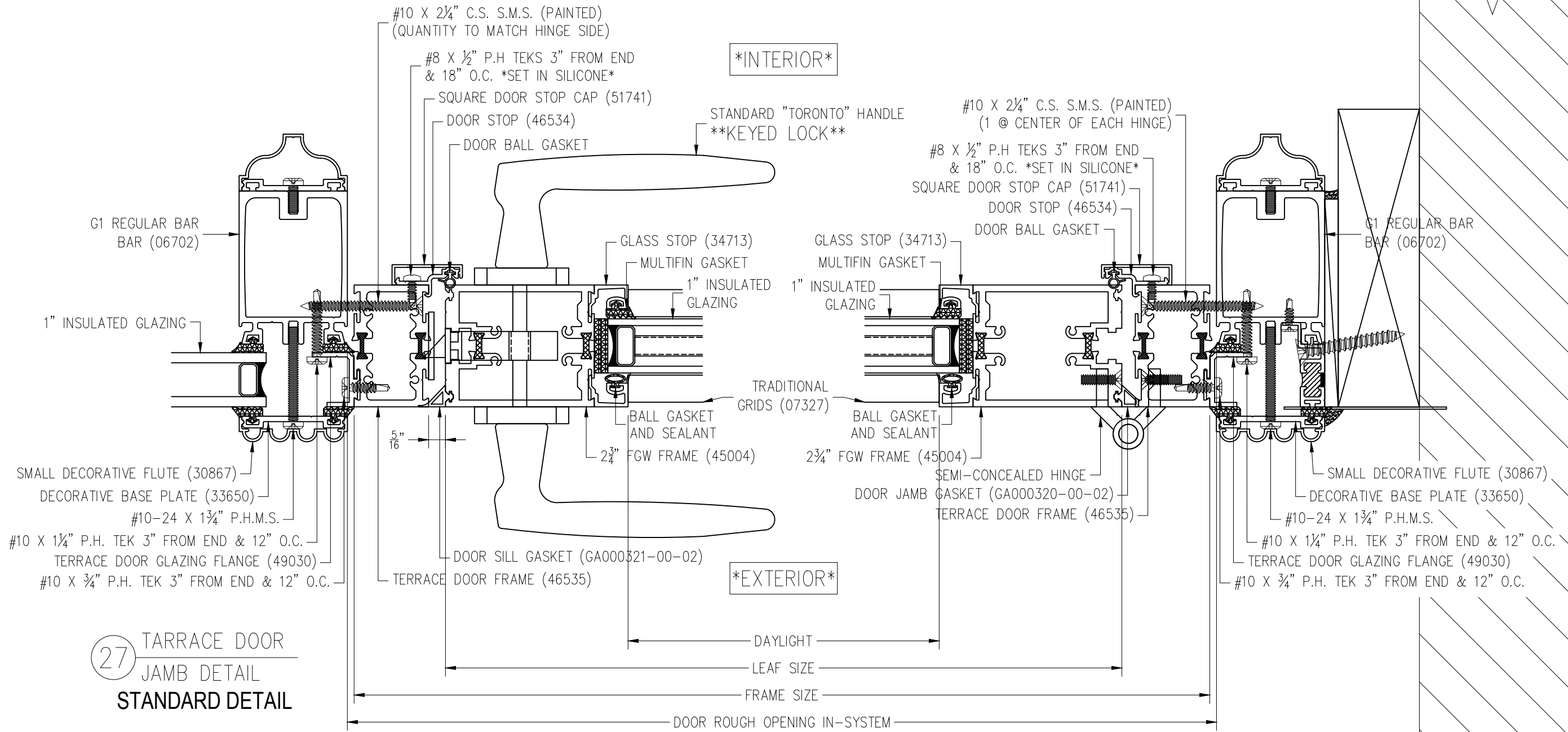
ALL DRAWINGS ARE VIEWED FROM THE EXTERIOR LOOKING IN.

DRAWING SCALE: 6" = 1'-0"

JOB NO.: 18-10-580

QUOTE NO.: 12418

PAGE No.:



**27** TARRACE DOOR  
JAMB DETAIL  
STANDARD DETAIL

**28** TARRACE DOOR  
JAMB DETAIL  
STANDARD DETAIL











PROJECT #	DATE	BY
NEWHOUSE	11-9-18	AMS

DRAWN BY: ALEX STESLOW / TYLER  
 PROJECT MANAGER: JOSH MUSSEY (EXT. 3063)

ALL DRAWINGS ARE VIEWED FROM THE EXTERIOR LOOKING IN.

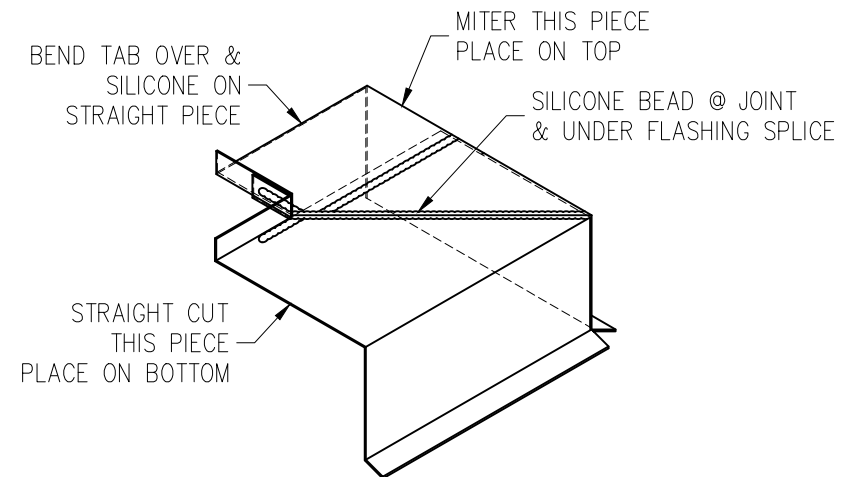
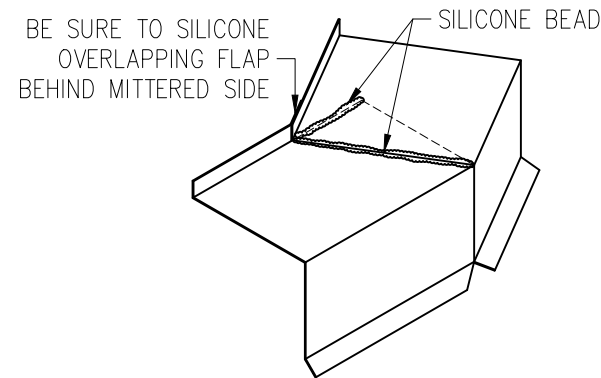
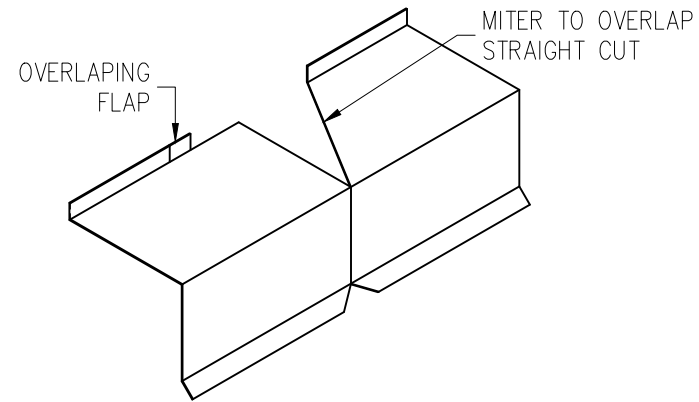
DRAWING SCALE: 6" = 1'-0"

JOB NO.: 18-10-580

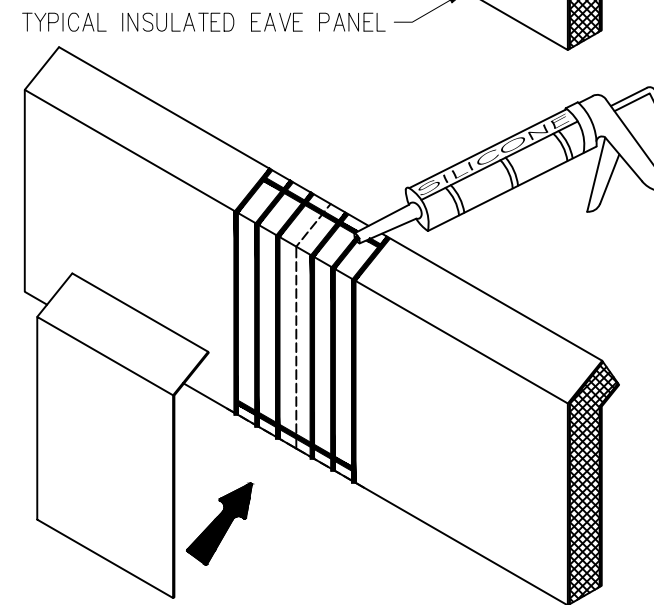
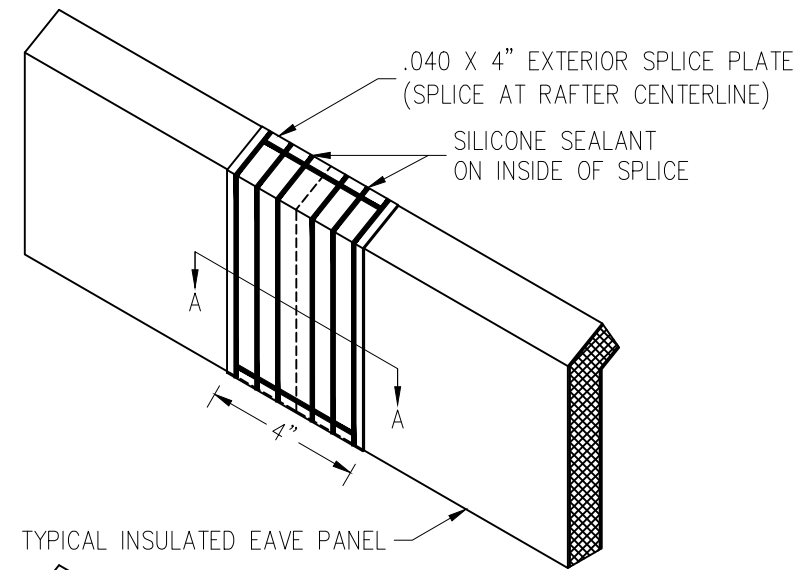
QUOTE NO.: 12418

PAGE No.:

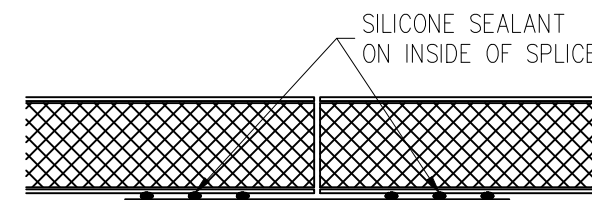
3 BEADS OF SILICONE PER SIDE OF SPLICE APPROX. 1/2" APART



EXTERIOR FLASHING FINISHED CORNER



"TYPICAL EAVE PANEL SPLICE"



VIEW A-A

PROJECT #	11-9-18	DATE
DRAWN BY	AM	BY
PROJECT MANAGER	JOSH MUSSEY (EXT. 3063)	

DRAWN BY: ALEX STESLOW / TYLER NEWHOUSE  
PROJECT MANAGER: JOSH MUSSEY (EXT. 3063)

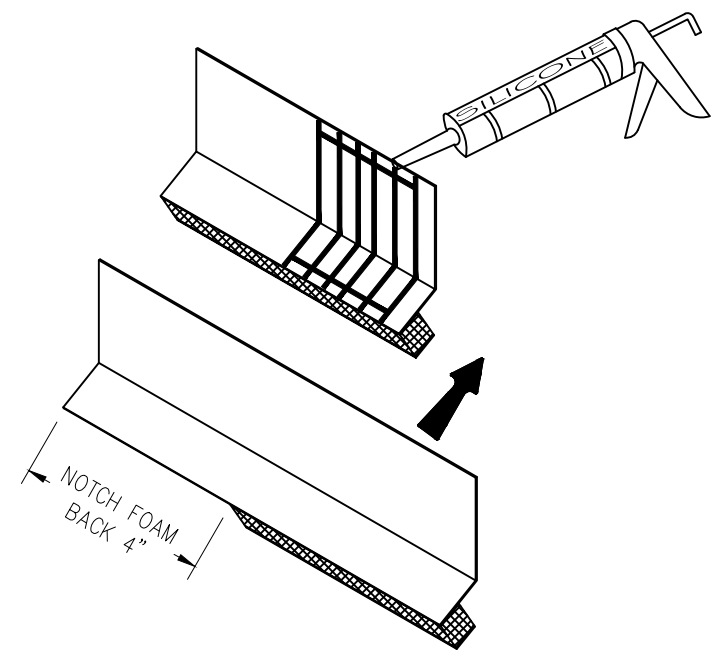
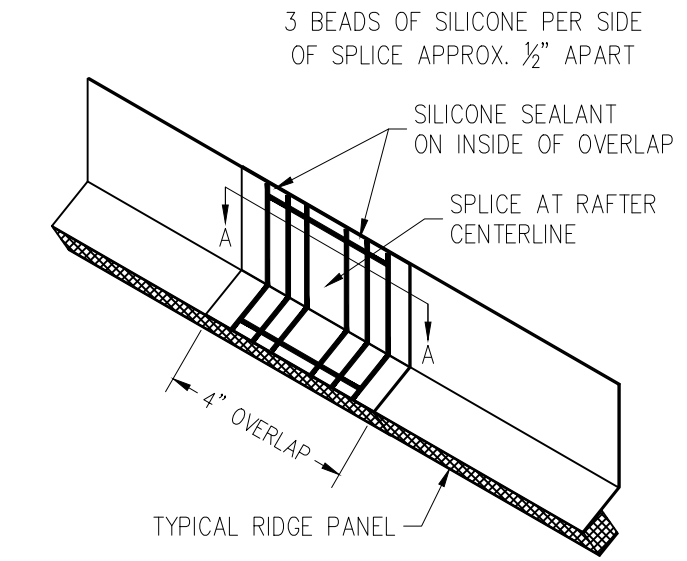
ALL DRAWINGS ARE VIEWED FROM THE EXTERIOR LOOKING IN.

DRAWING SCALE: 6" = 1'-0"

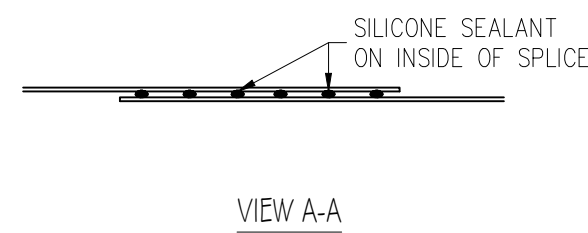
JOB NO.: 18-10-580

QUOTE NO.: 12418

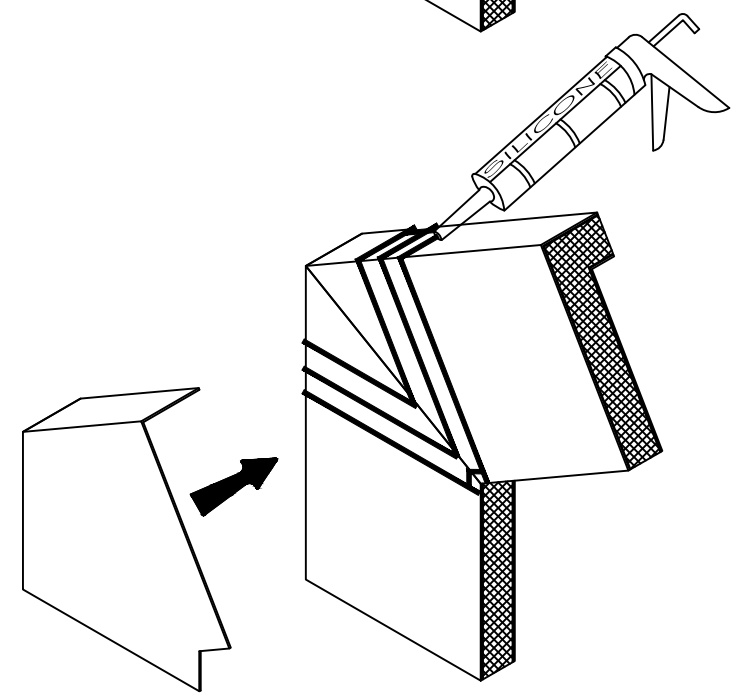
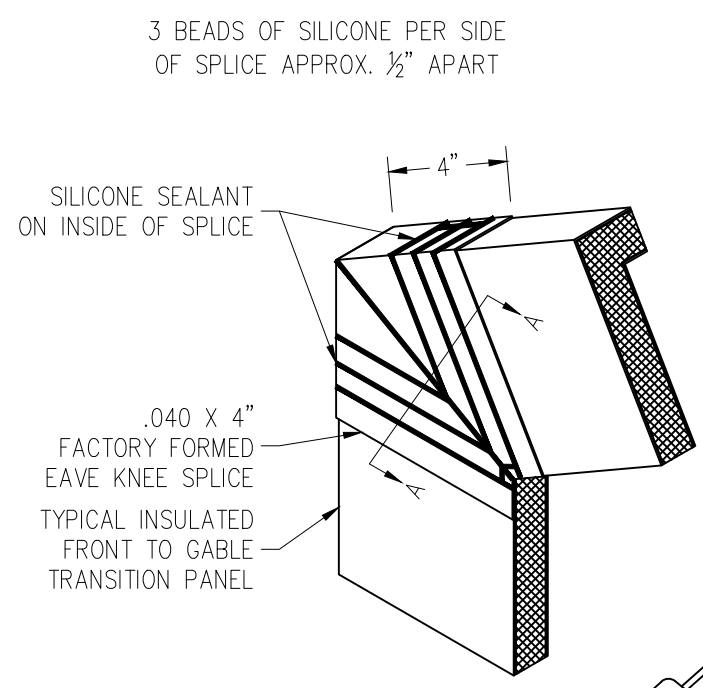
PAGE No.:



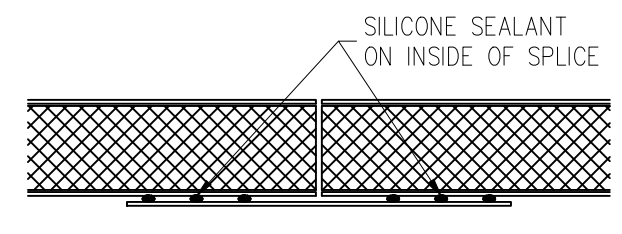
"TYPICAL RIDGE PANEL SPLICE"



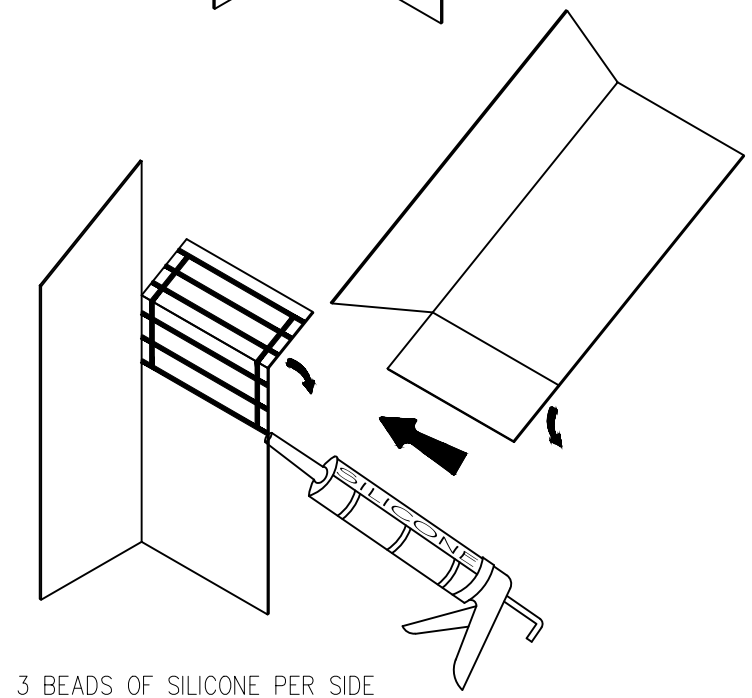
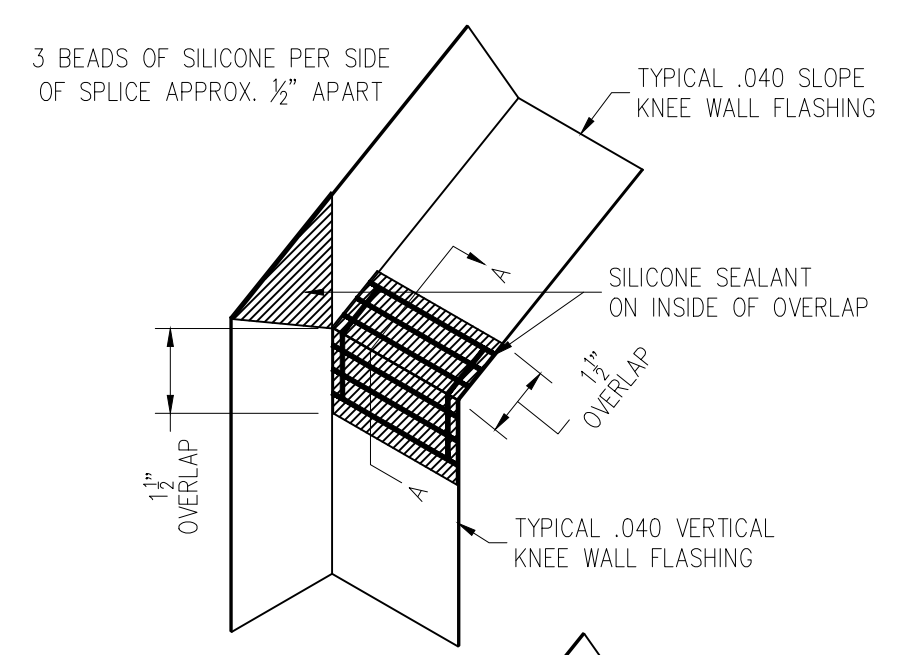
VIEW A-A



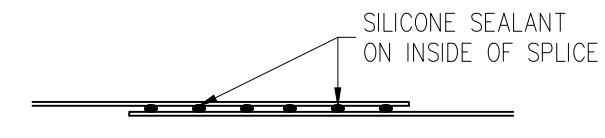
"VERTICAL TO SLOPE GABLE KNEE TRANSITION SPLICE"



VIEW A-A



"SLOPE AT WALL FLASHING OVERLAP"



VIEW A-A