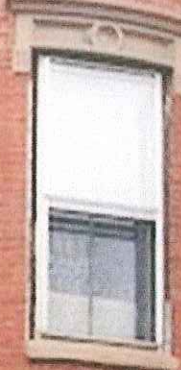




10

9

8



2

1





1



15



2



2

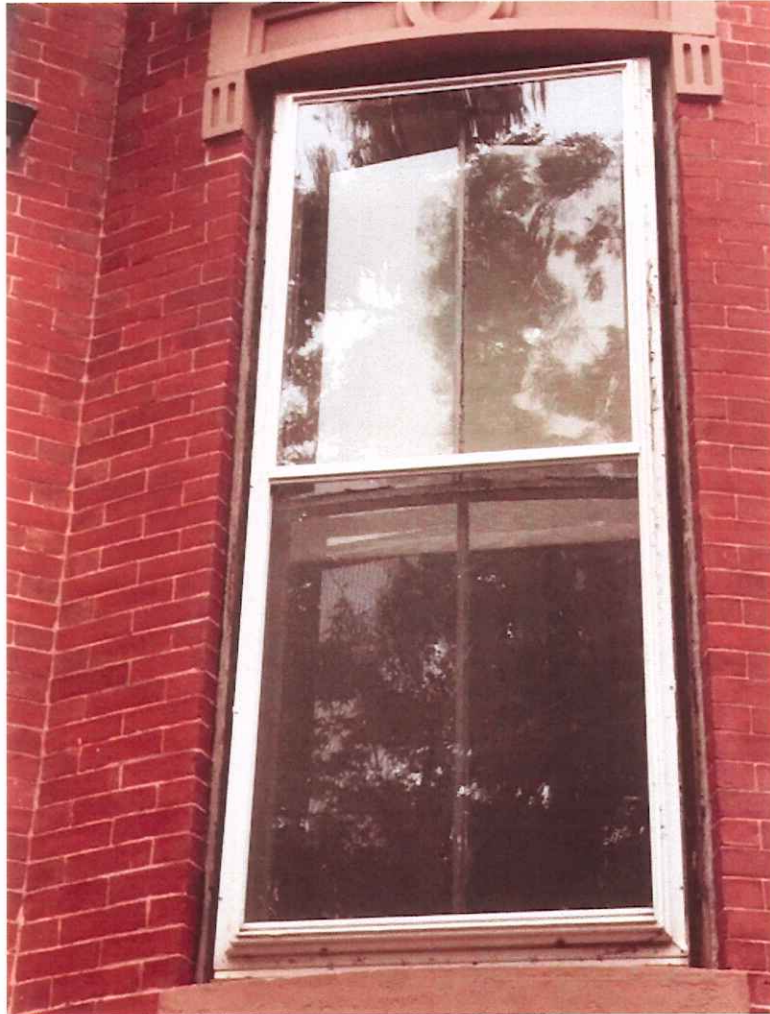


3

3



4



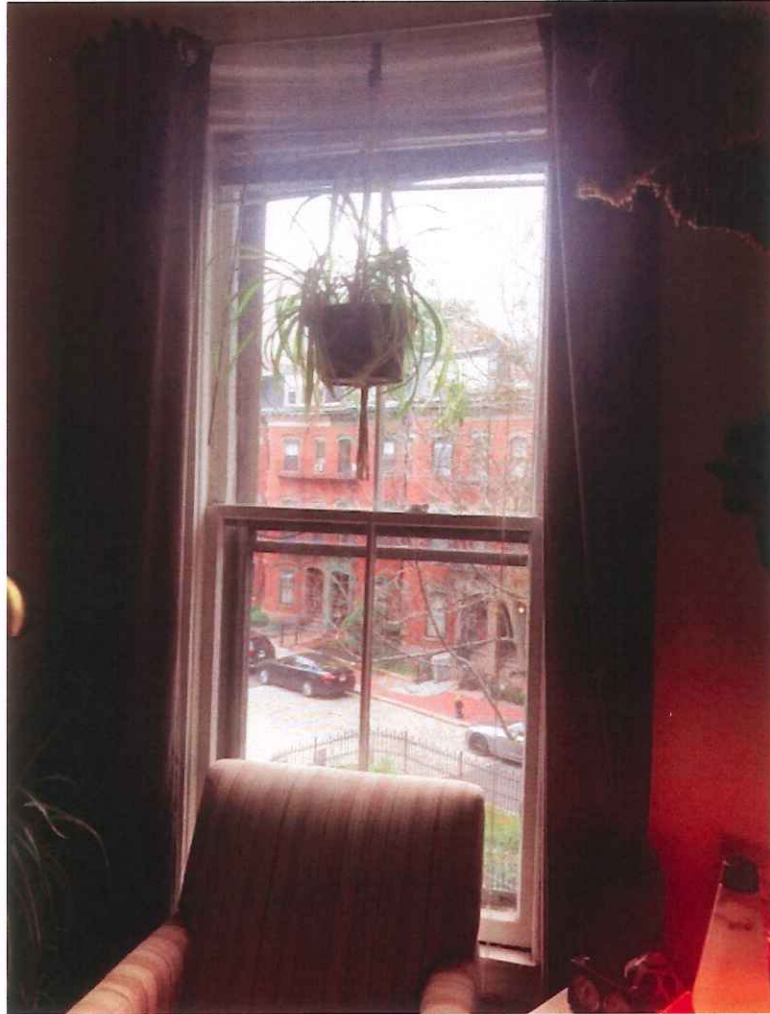
4



5



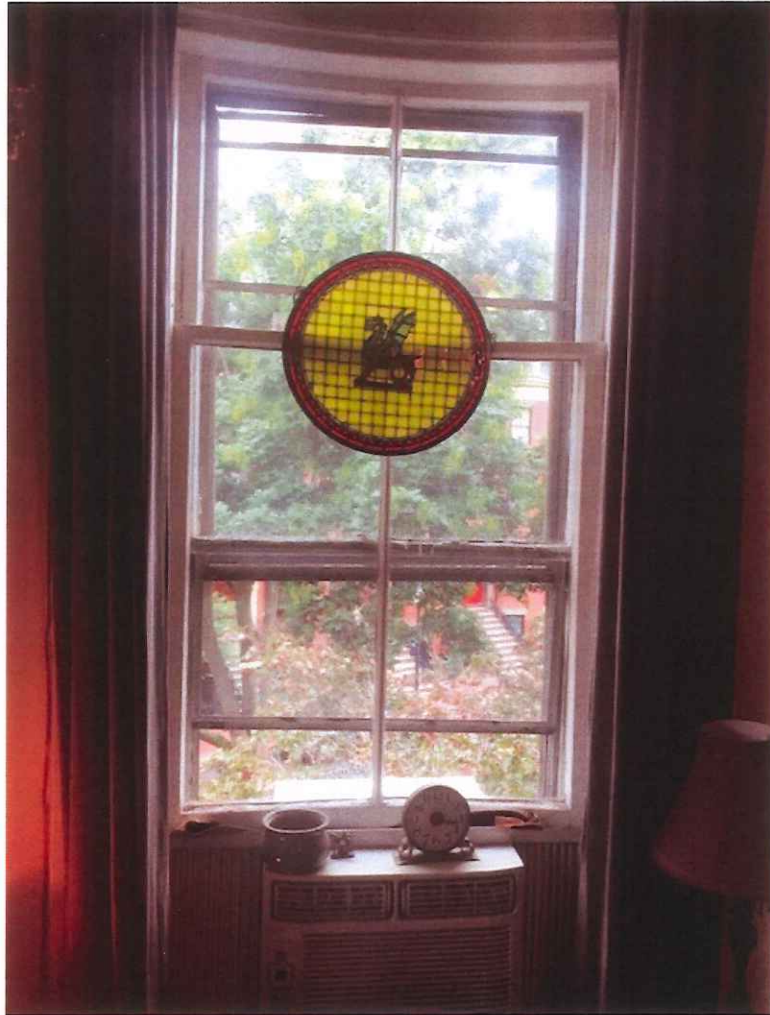
5



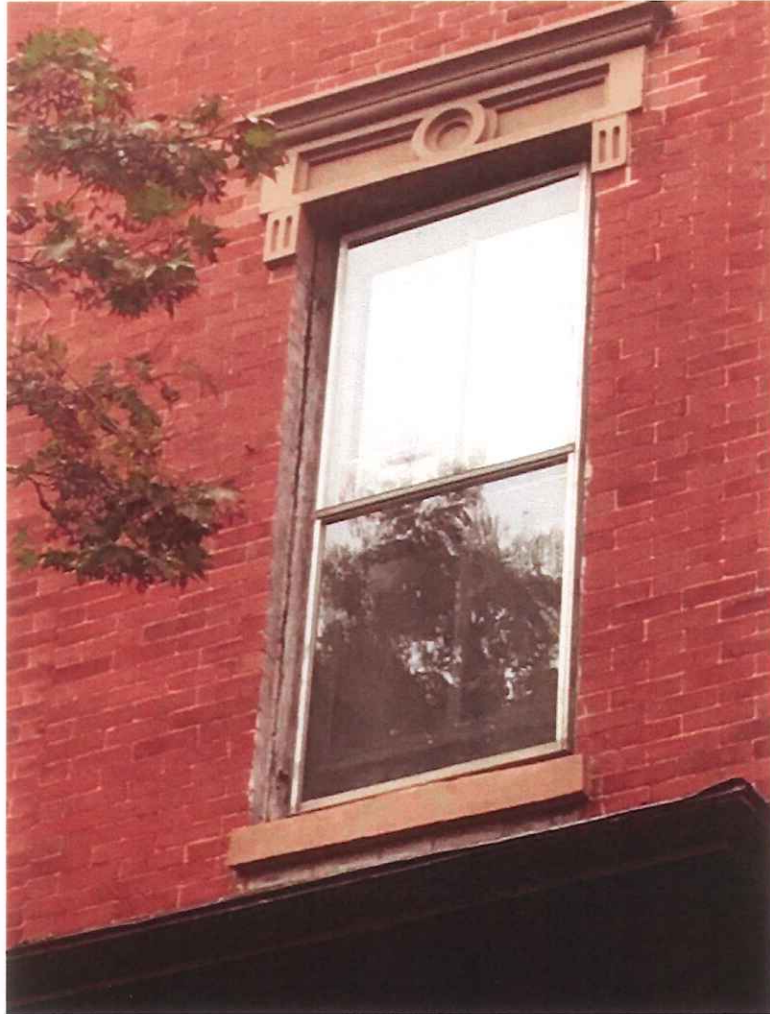
6



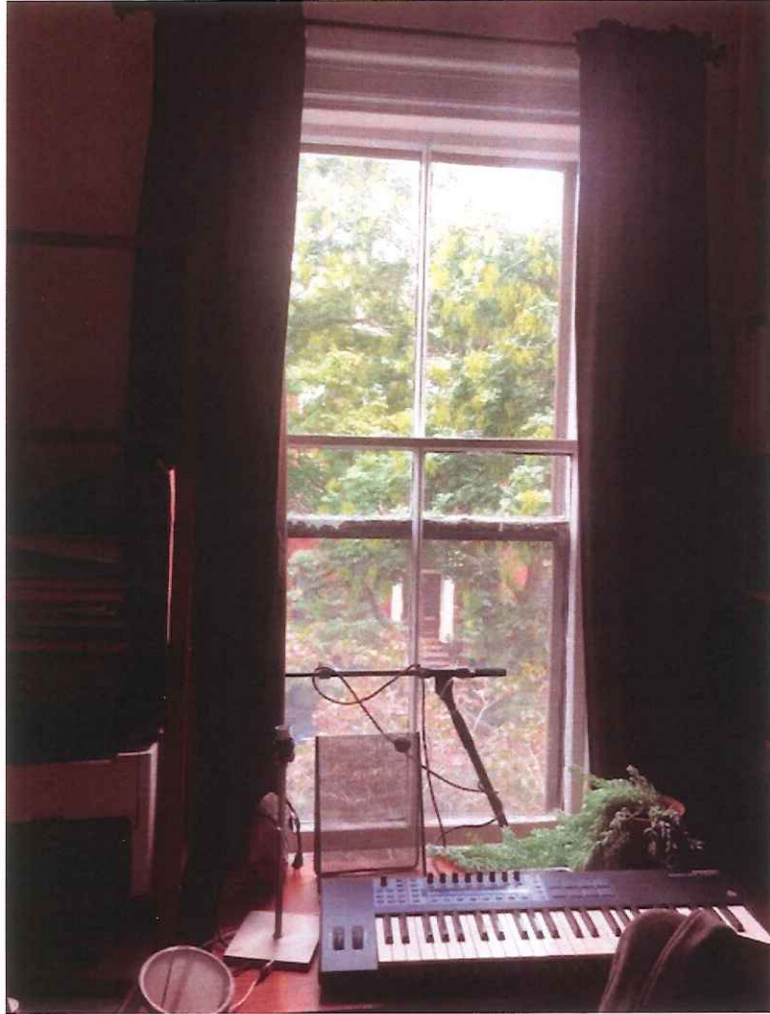
6



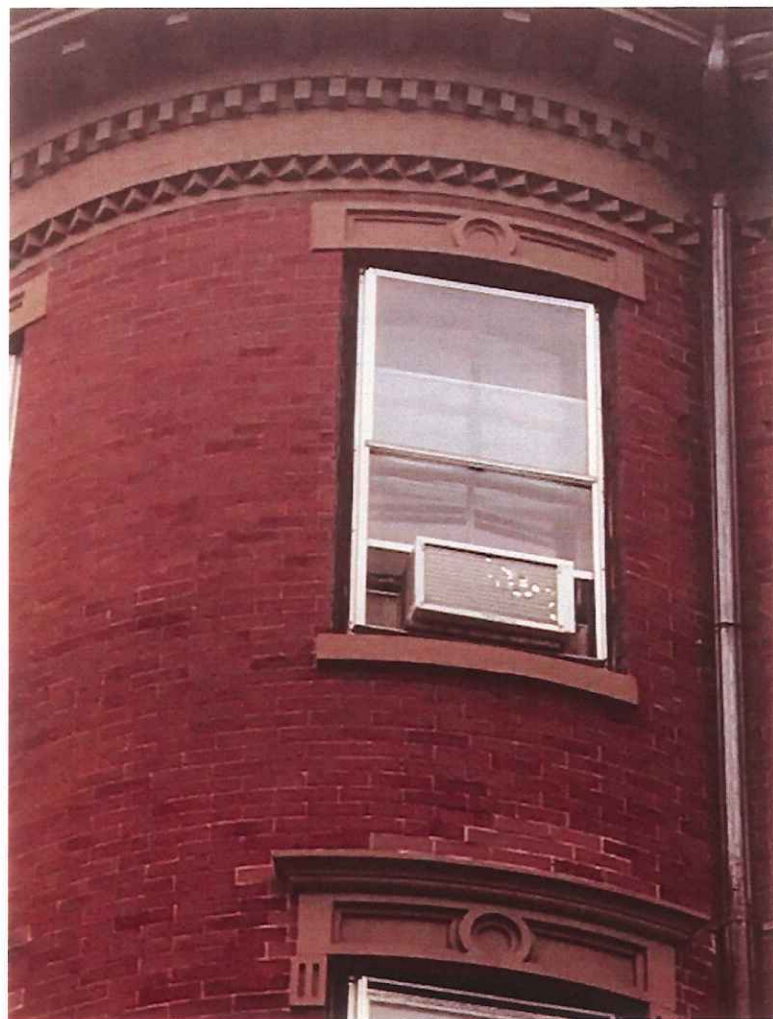
7

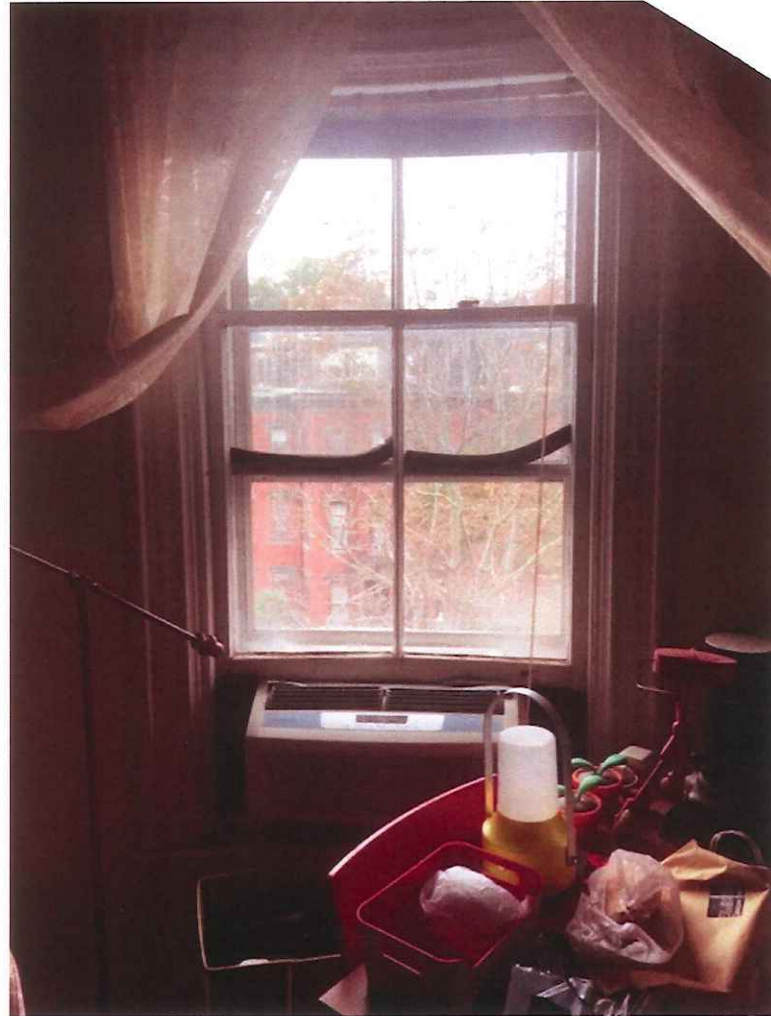


7

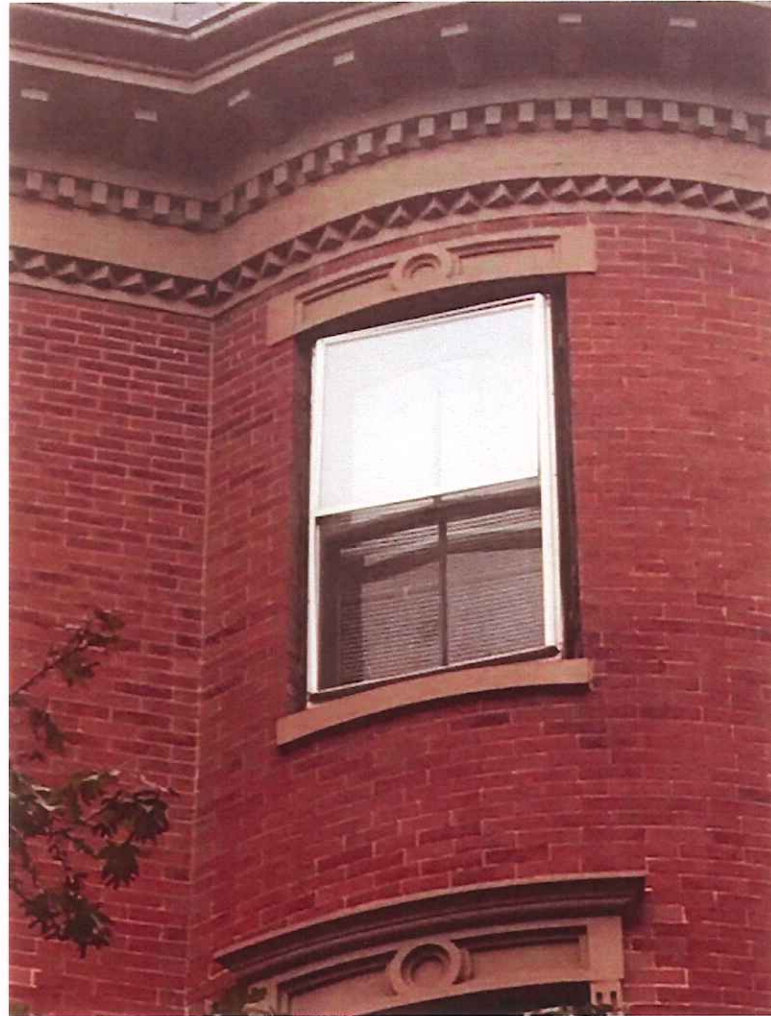


8





9



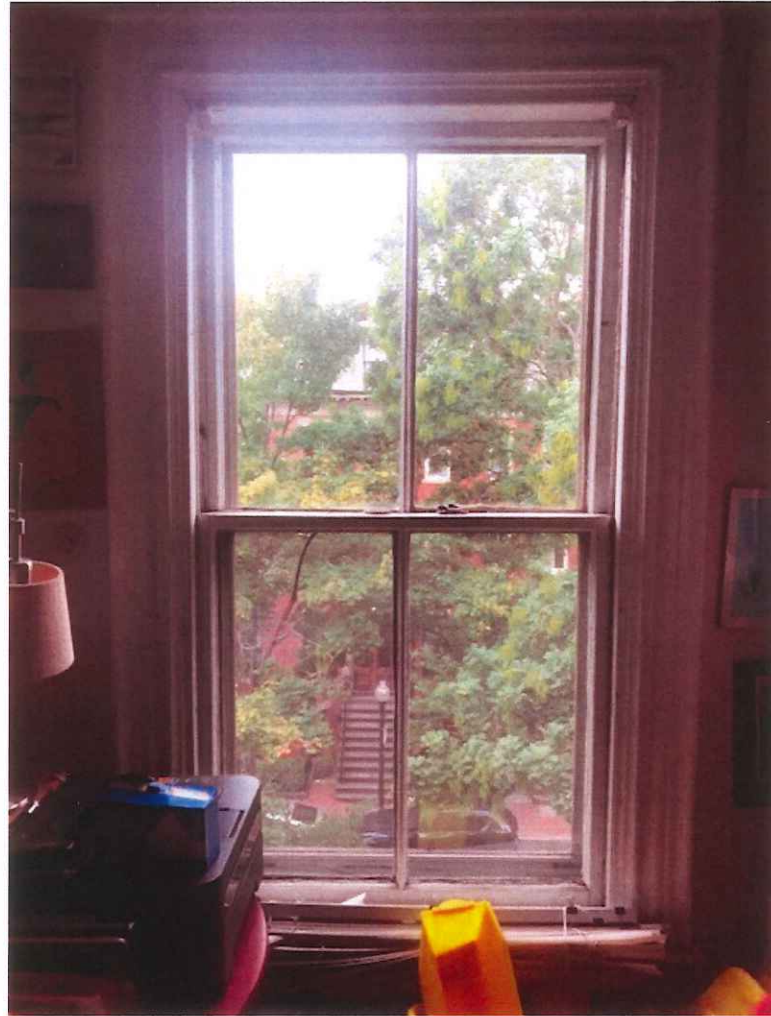
9

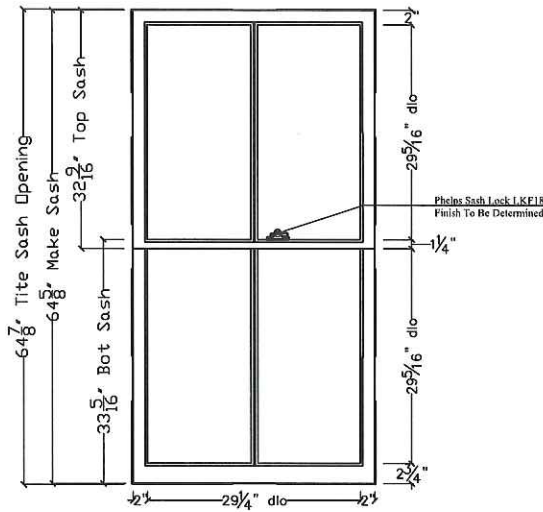
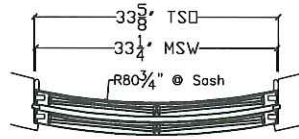
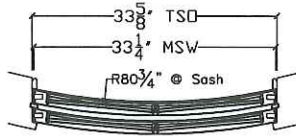


10



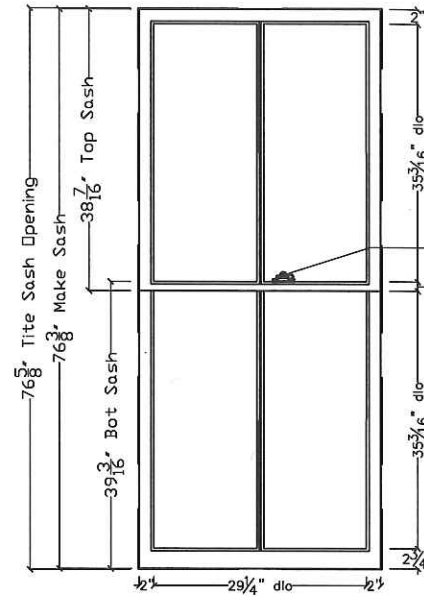
10





Bent Sash "A" QTY:2

Exterior Elevation-Hardware Shown for Location
Ground Floor Front Elevation



Bent Sash "A1" QTY:2

Exterior Elevation-Hardware Shown for Location
Floor Three Front Elevation

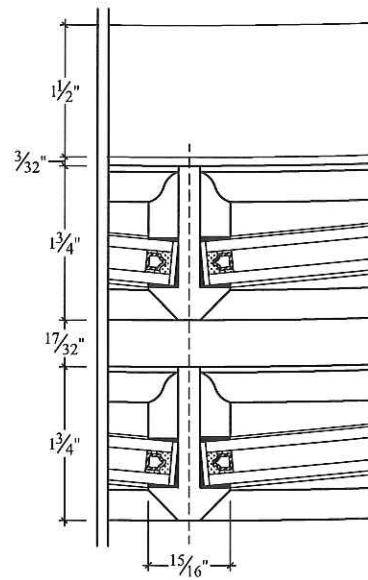
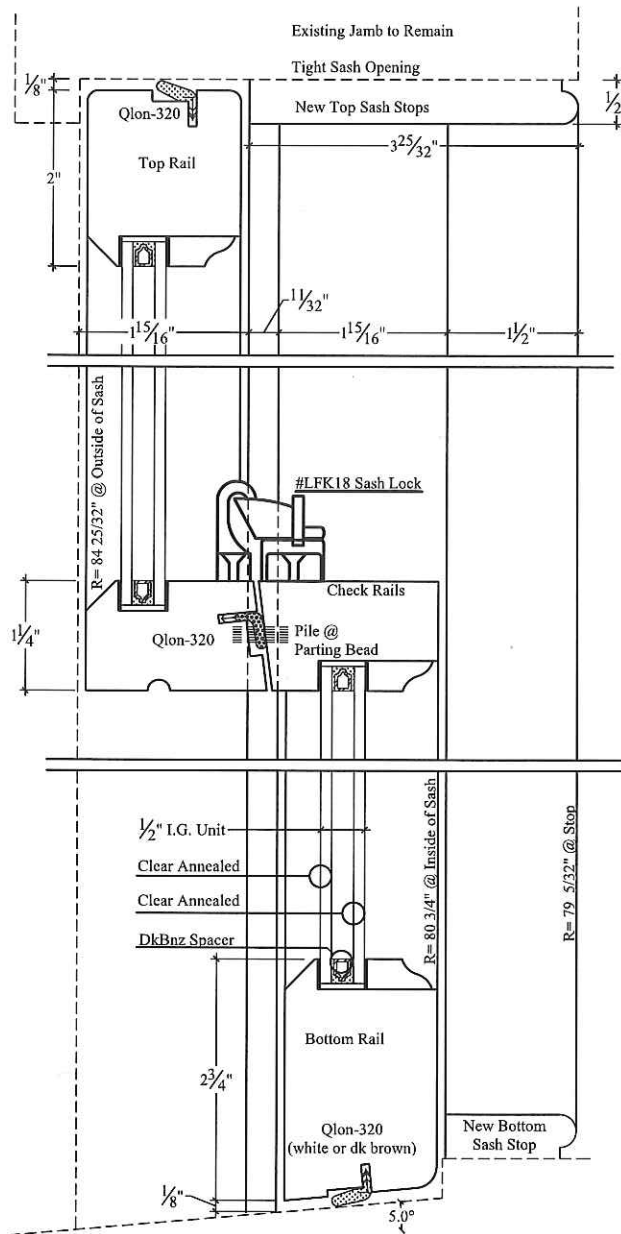
Replacements

KSD to Include

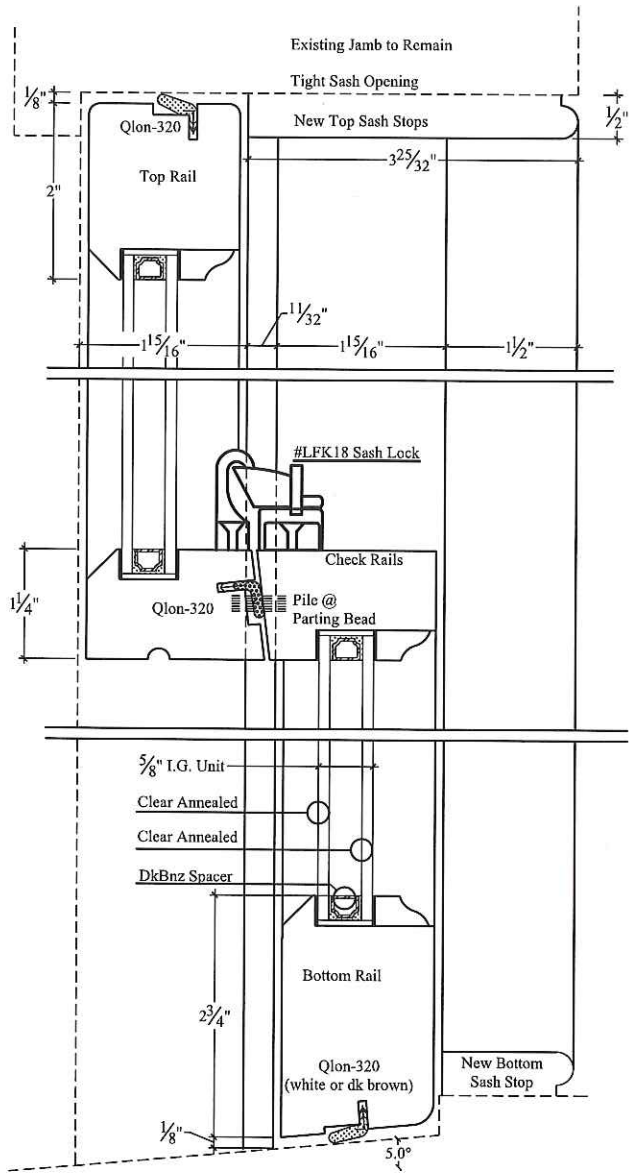
- Sapele Mahogany: Hom
- 2 Coats Exterior Latex F
- Insulated Glass: (Clear A
- Hidden Spring Balances
- Brush Pile and Compress
- Phelps LKF18 (Please sp

KSD to Exclude

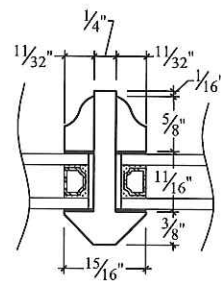
- Installation
- Repairs to Existing Jam
- Interior Finish Paint
- Final Exterior Coat of Pa



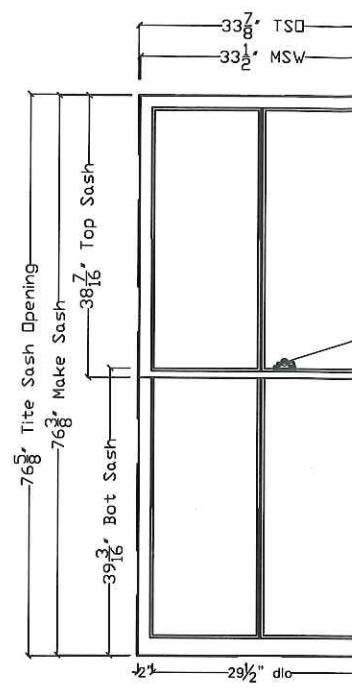
Bent Sash Vertical Section



Flat Sash Vertical Section

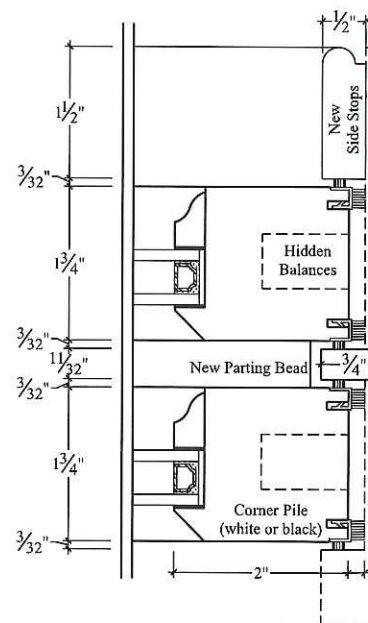


Muntin Detail



Flat Sash "C" QTY

Exterior Elevation-Hardware Shown
Floor Three Front Elevation



Flat Sash Horizontal Section