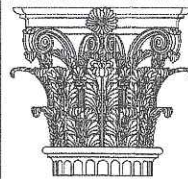


1 FRONT ELEVATION
 FULL: 1/4" = 1'-0", HALF: 1/8" = 1'-0"

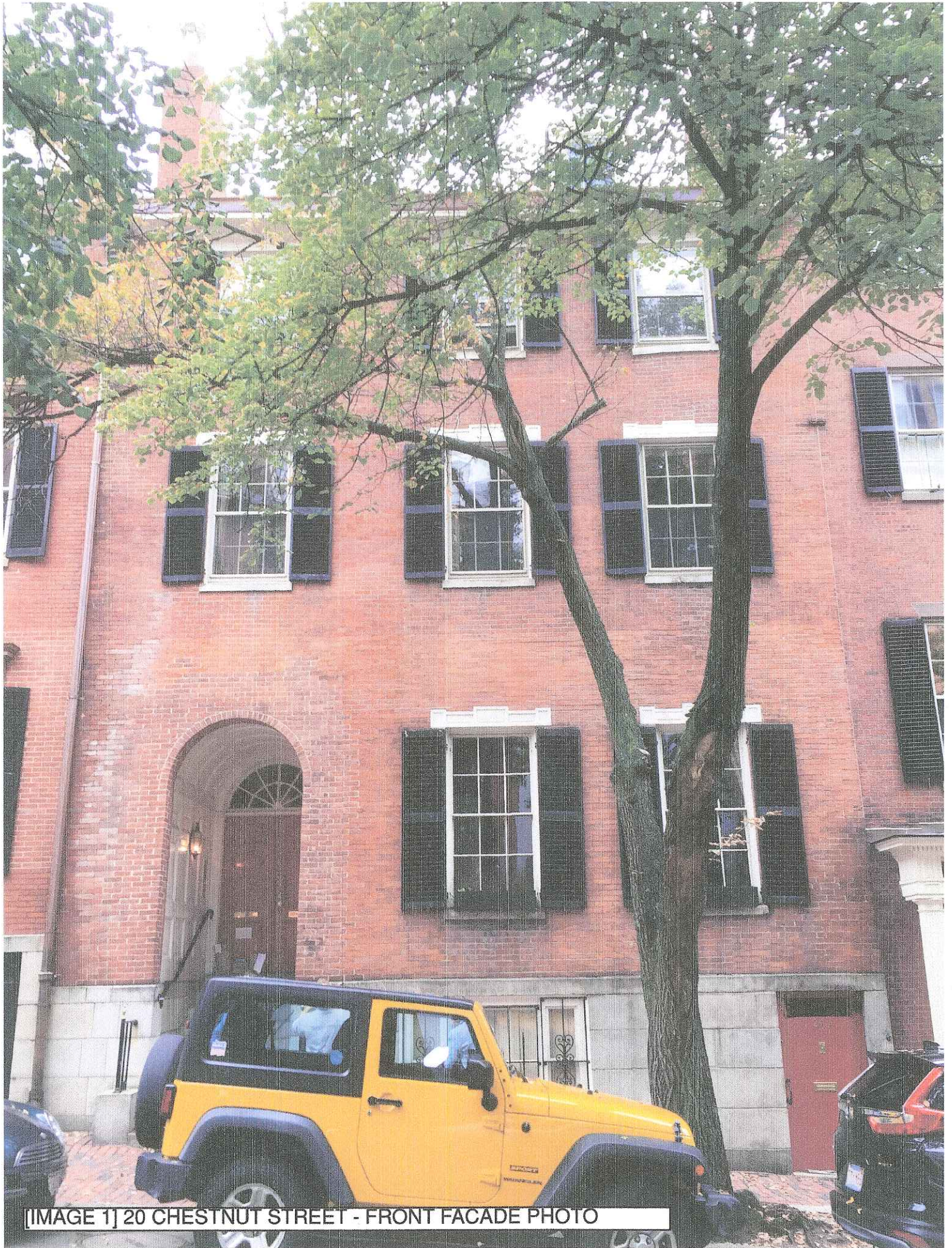


PAULI & URIBE
ARCHITECTS LLC
 Classic Architecture
 Interior Design
 121 Mount Vernon Street
 Boston, Massachusetts, 02108
 617 227 0951 • www.pauli-uribe.com

20 CHESTNUT STREET
 UNIT 1, BOSTON, MA 02108

SHEET TITLE:
 FRONT
 EXTERIOR ELEVATION
 DATE: SEPTEMBER 26, 2018
 SCALE: AS NOTED
 DRAWN: JGUR & RJP
 CHECKED: JGUR & MZP

SHEET NO.
 A-1



[IMAGE 1] 20 CHESTNUT STREET - FRONT FACADE PHOTO





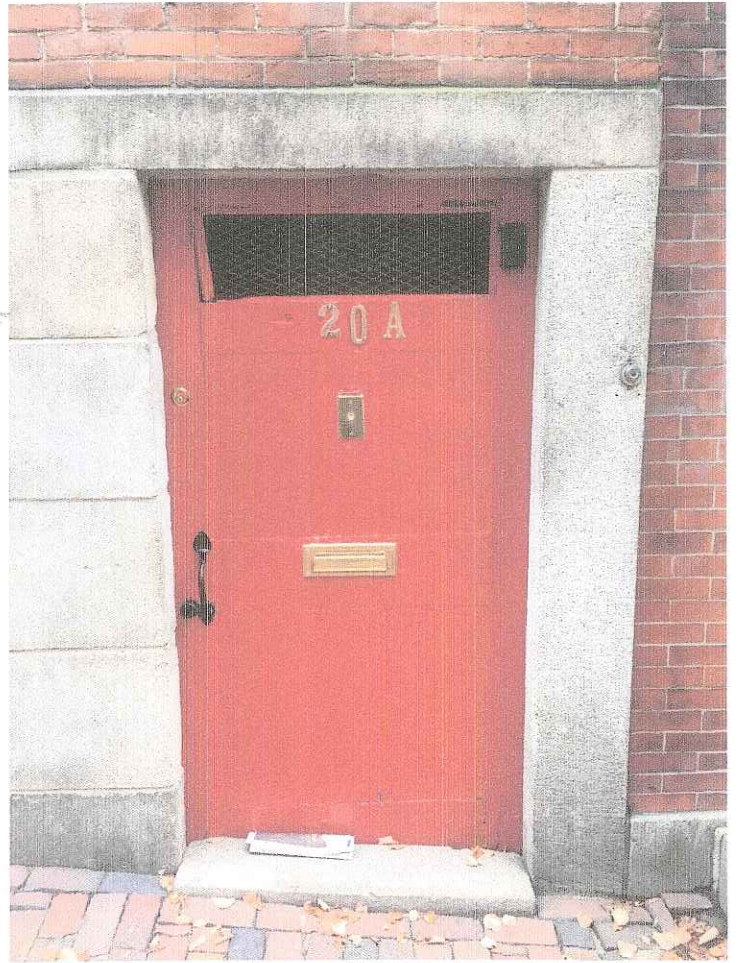
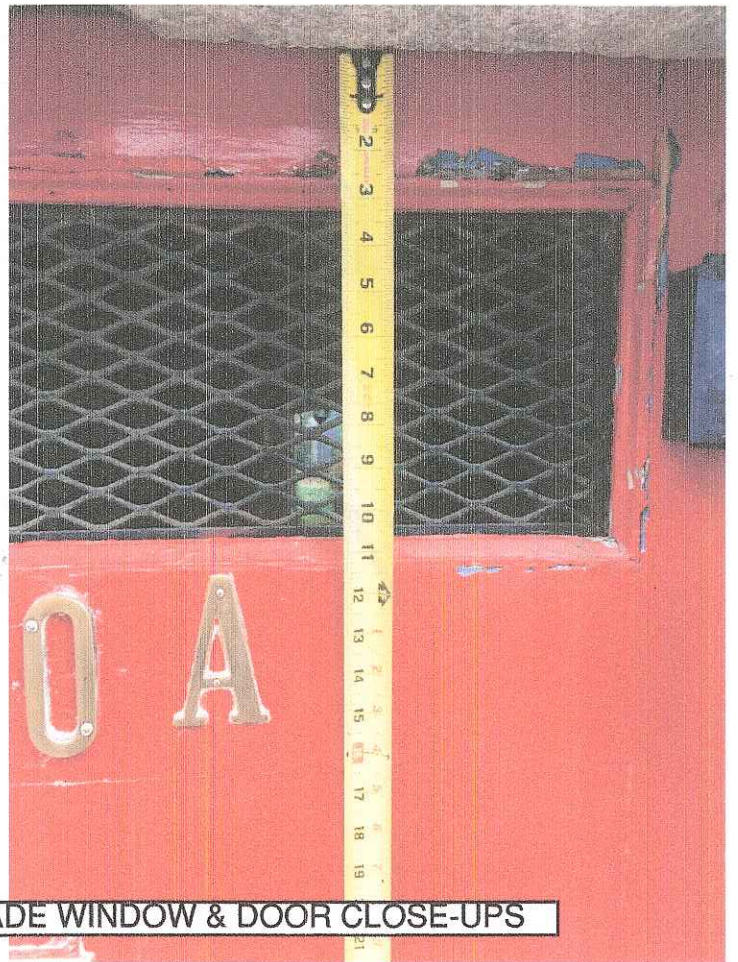
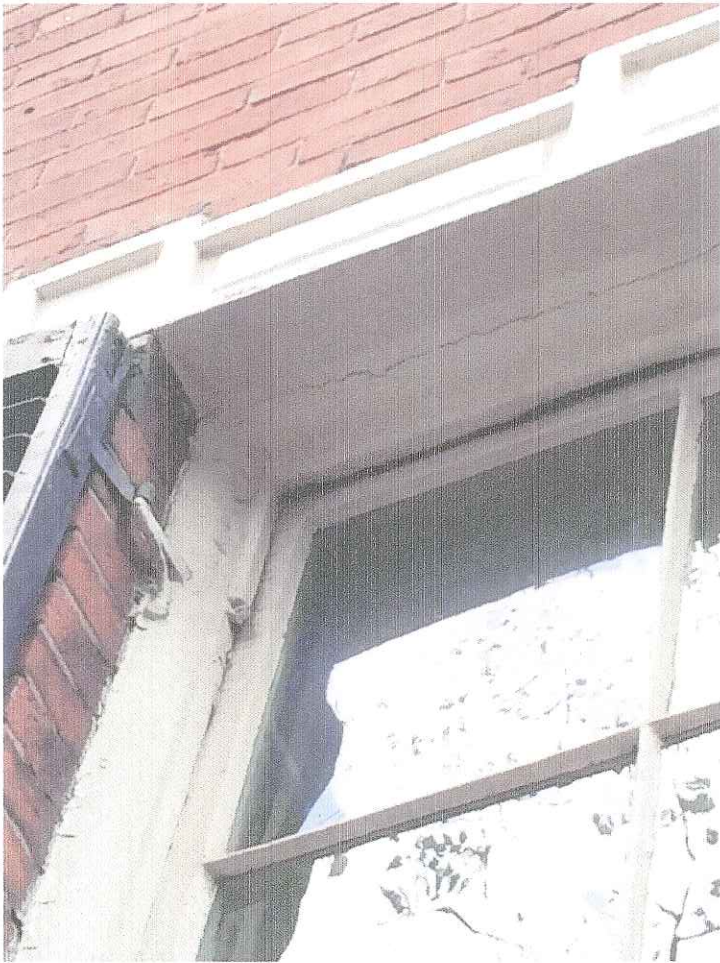


IMAGE 4 | 20 CHESTNUT STREET - FRONT FACADE WINDOW & DOOR IMAGES



[[IMAGE 5] 20 CHESTNUT STREET - FRONT FACADE WINDOW & DOOR CLOSE-UPS

The Storm Window that beats air infiltration everywhere it counts.

NO COMPROMISE DESIGN - that's what makes the TRU-CHANNEL Storm Window so different from any other storm window. It is why we have engineered the most effective interlocks, joints and weatherstripping, and why the frame is so heavy with weatherstripping on BOTH sides of the sash rails.

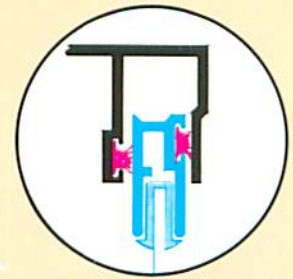
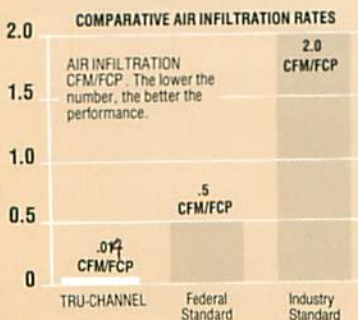
.04 CFM/FCP
OUTSTANDING
air infiltration
PERFORMANCE



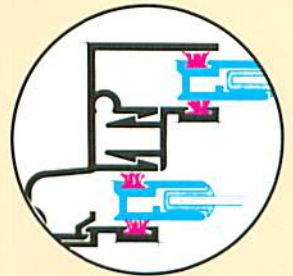
Solid Barrier Weatherstripping

It's the ultimate in weather protection and the TRU-CHANNEL window uses more than twice as much as ordinary storm windows.

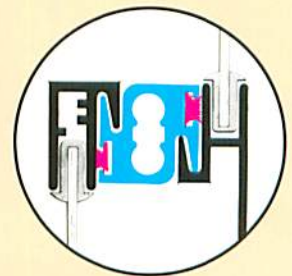
Your choice of color



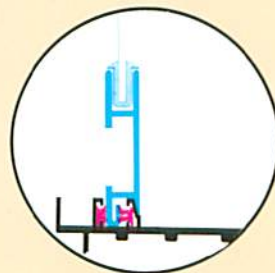
Head: There's an extra deep pocket and double weatherstripping to seal this critical area.



Jams: The TRU-CHANNEL earns its name and reputation as the storm window that outperforms most prime windows right here. The sash rails ride between double layers of heavy duty silicone-treated wool pile weatherstripping. The harder the wind blows, the tighter the seal.



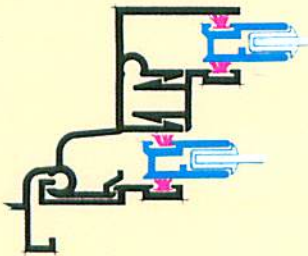
Meeting Rail: A fine feature that makes the TRU-CHANNEL outperform other windows is the revolutionary RIGID BAR tubular extrusion with double interlocks and double weatherstripping. It really puts a stop to leaking air and keeps the frame square even after years of service.



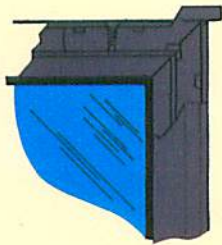
Sill: A tongue and groove interlock combined with inner and outer SOLID BARRIER weatherstripping makes the most effective seal possible.

These features mean quality

To get all the benefits of a storm window you want to be sure that the window you choose is quality built. Harvey Storm Windows are carefully engineered in every respect to ensure maximum performance.



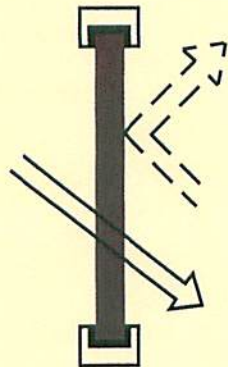
Strong aluminum cross sections
Generously proportioned frames and sash members mean a more rigid structure and better resistance to flexing under wind pressure.



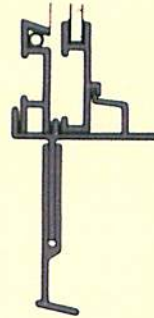
Sash are corner screwed
This is a stronger construction than staking and allows the sash to be taken apart for easy reglazing.

Charcoal aluminum screens

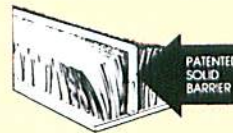
All screens feature a rigid hollow box frame, positive bug seal on all four sides and non-glare charcoal-finished screen wire.



High efficiency Low-E glass
Low-E glass is a heat reflective glass that allows sunlight in, but keeps heat from escaping back out. It can be specified in all Harvey Storm Windows for maximum insulation value.



Adjustable sill expander
A feature common to all Harvey Storm Windows is an adjustable sill expander which compensates for out-of-square openings.



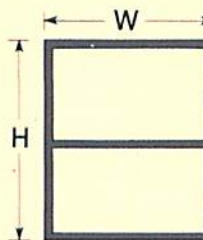
Weatherstripping is critical

Harvey Storm Windows feature heavy duty silicone treated wool pile throughout. A special wool pile with a continuous polypropylene fin provides extra protection in the Harvey Tru-Channel Storm Window.



Tilt-in convenience

Triple-Track design allows sash to tilt in for easy cleaning or removal from the inside without the use of tools. Screen and sash are self-storing in the off season.



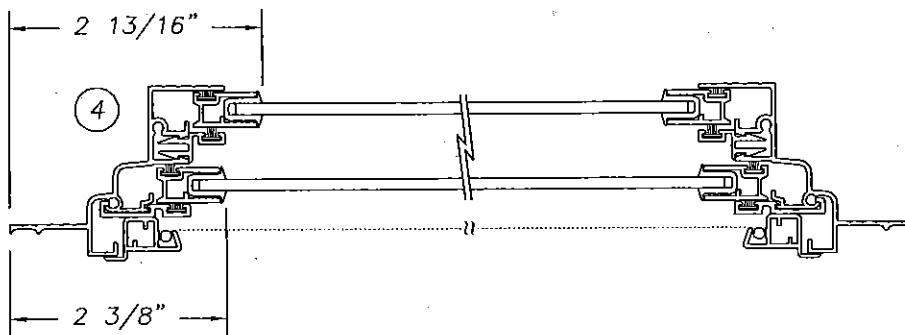
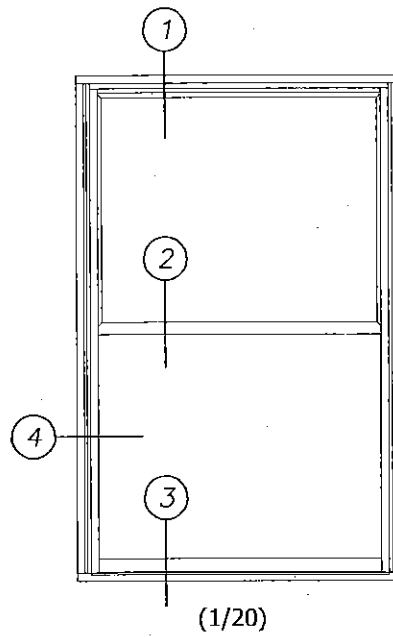
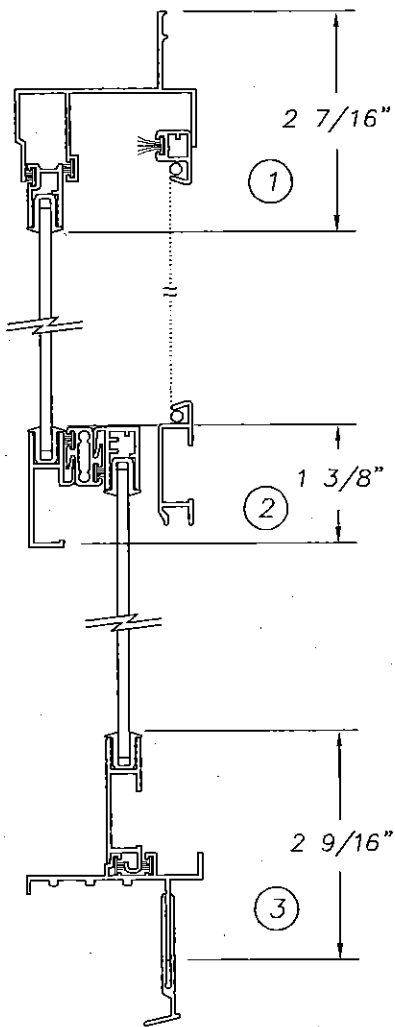
Custom made to fit

All Harvey Storm Windows are custom manufactured to exact dimensions to fit your particular window openings.

Storm Products Index

CATEGORY	HARVEY PRODUCT	AIR INFILTRATION RATING	APPLICATION
Double Hung Storm Windows	Tru-Channel	.01 CFM/FCP	Premium Residential/Commercial
	Super-Tilt	.33 CFM/FCP	Residential/Light Commercial
	Carefree	1.11 CFM/FCP	Residential
Horizontal Rolling	Rolling Storm Window	.19 CFM/FCP (Ext. Mount) .17 CFM/FCP (Int. Mount)	Commercial/Residential
Miscellaneous Windows	Storm Picture Window Deadlites Combination Basement Window	Available to complement all of the above to perform the complete job	
Storm Doors	*Combination Aluminum	All-aluminum, stock or custom sizes	
	Solid Core	Vinyl clad solid welded wood core (white only) *Aluminum clad solid welded wood core (bronze only)	

Harvey Industries, Inc.
Tru-Channel
Storm Window
(1/2 Scale)



AMOS TAYLOR
HOUSE
1895

