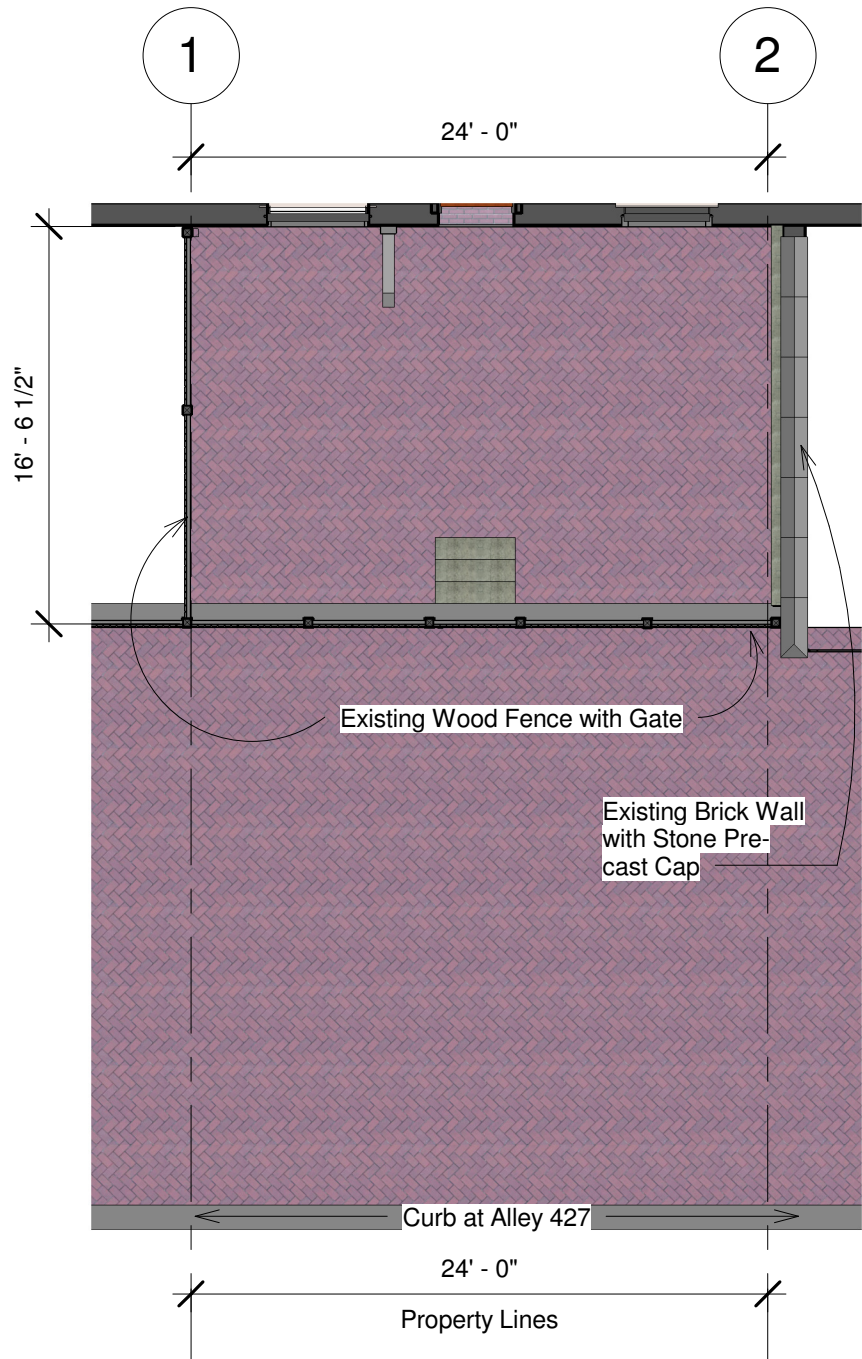
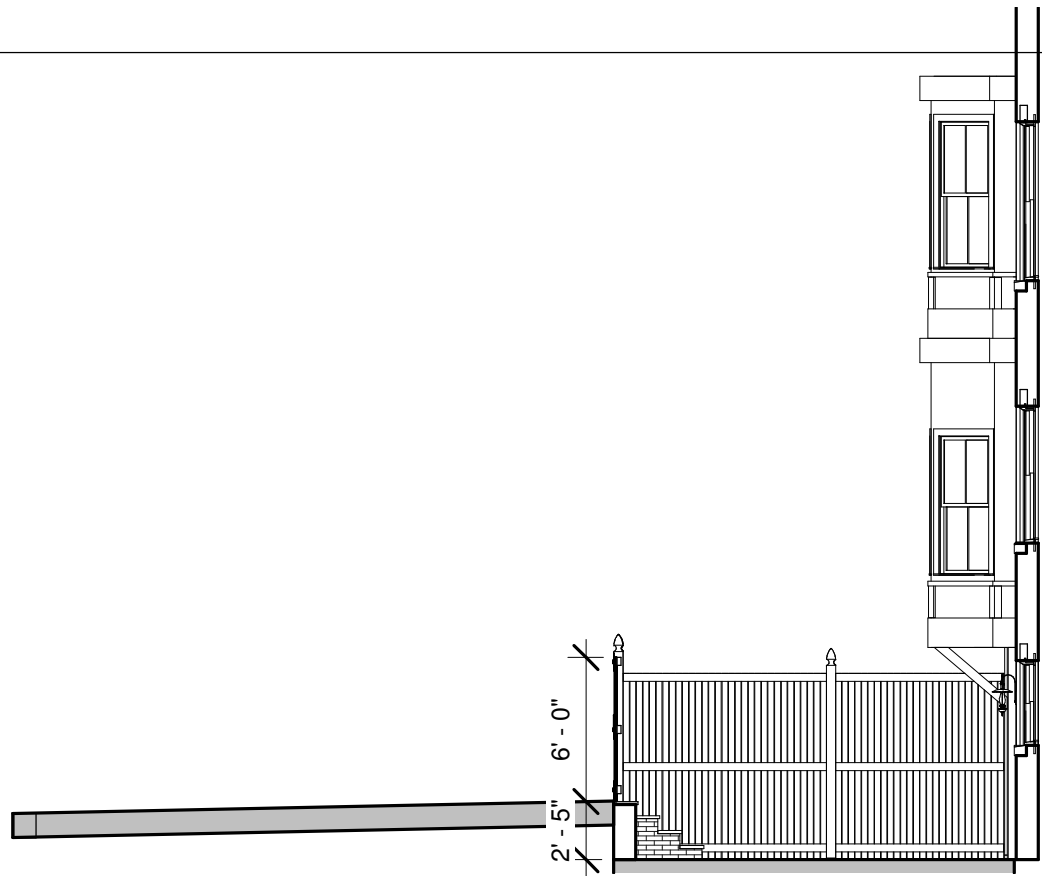




38 GREENWICH PARK
 BOSTON, MASSACHUSETTS 02118
 kunzarch@verizon.net
 617-267-1482



4 Patio
 1/8" = 1'-0"



2 Section through parking area and patio
 1/8" = 1'-0"



1 Elevation from Alley 427
 1/8" = 1'-0"



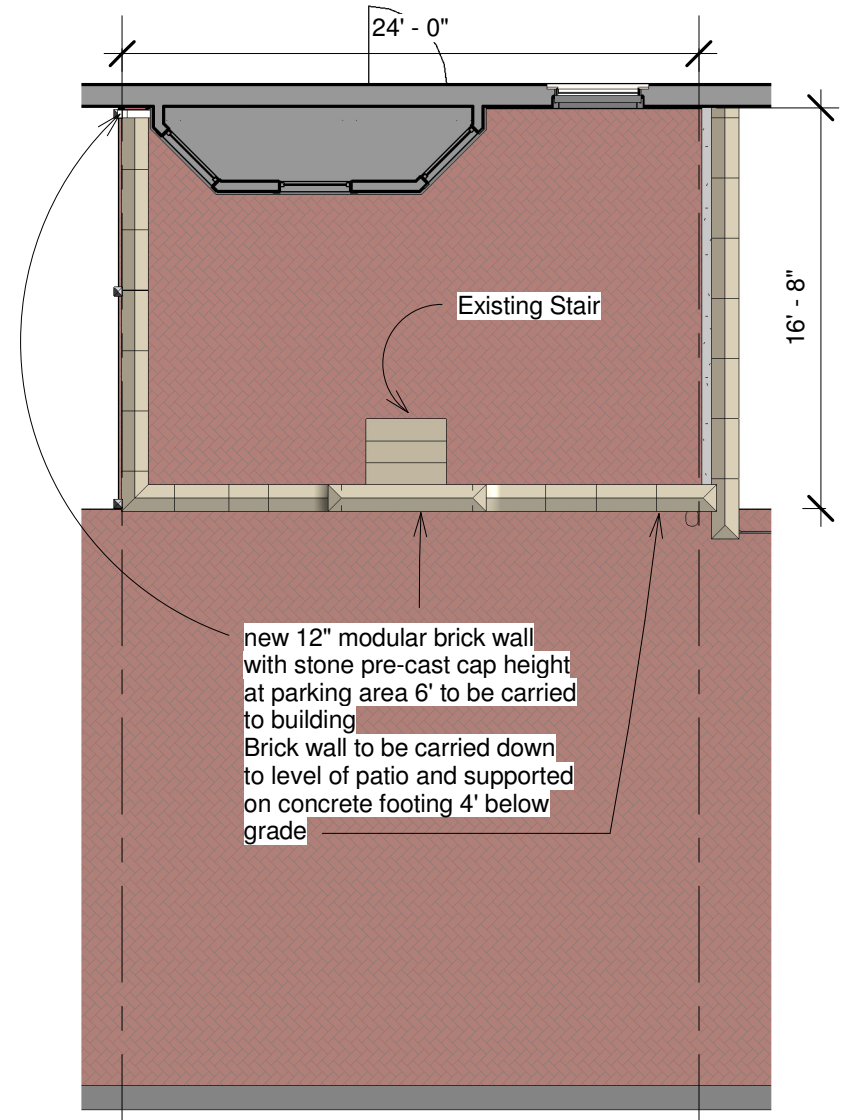
3 3D View from Alley 427

| |
|------------------------------------|
| Young Lee and Young Ju Rhee |
| 294 Marlborough Street, Boston, MA |
| Rear Yard Improvements |
| A101 -- Existing |
| Date 9/19/2018 1:58:29 PM |

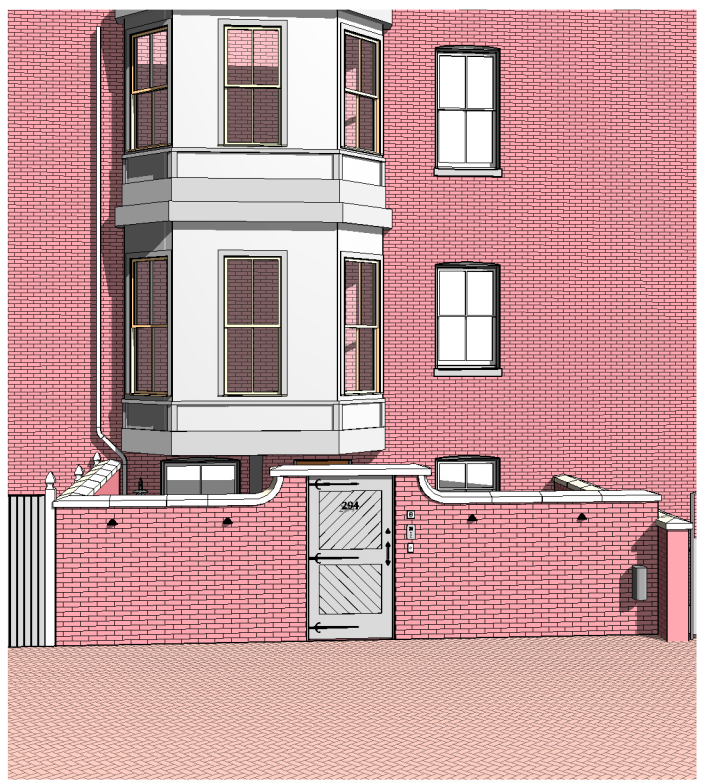
kunzarch.com

Kunz Associates

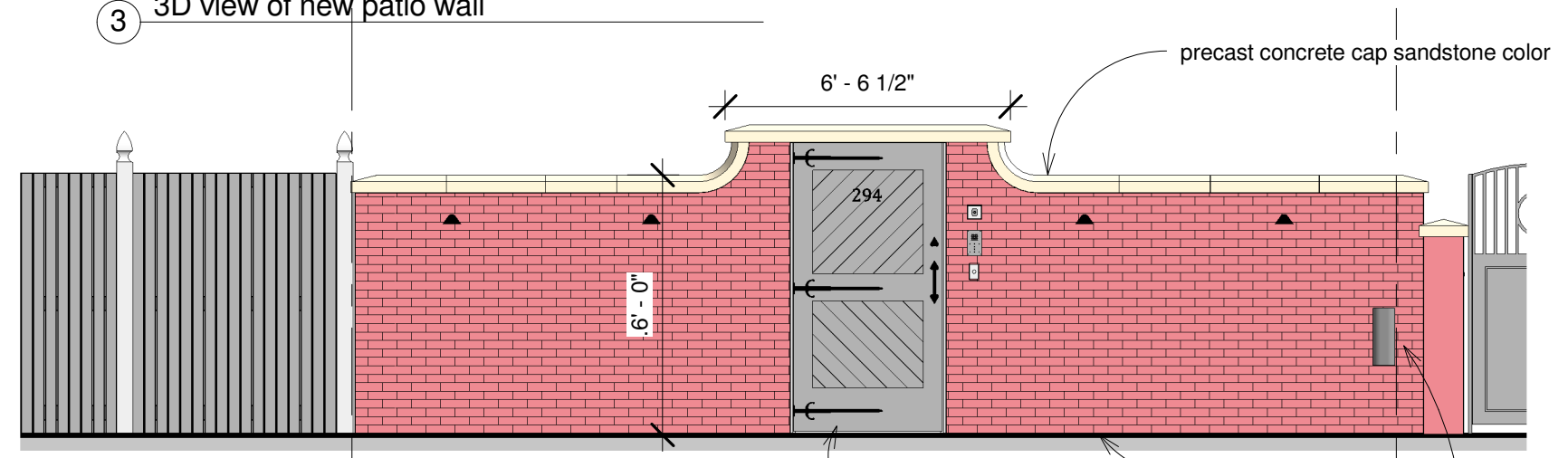
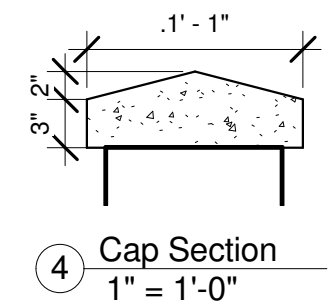
38 GREENWICH PARK
 BOSTON, MASSACHUSETTS 02118
 kunzarch@verizon.net
 617-267-1482



1 Rear Yard
 1/8" = 1'-0"



3 3D view of new patio wall

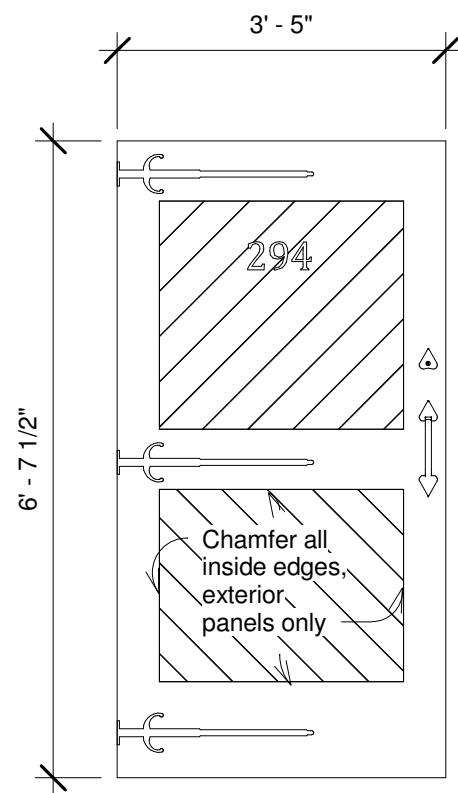


2 Elevation from Alley 427
 1/4" = 1'-0"

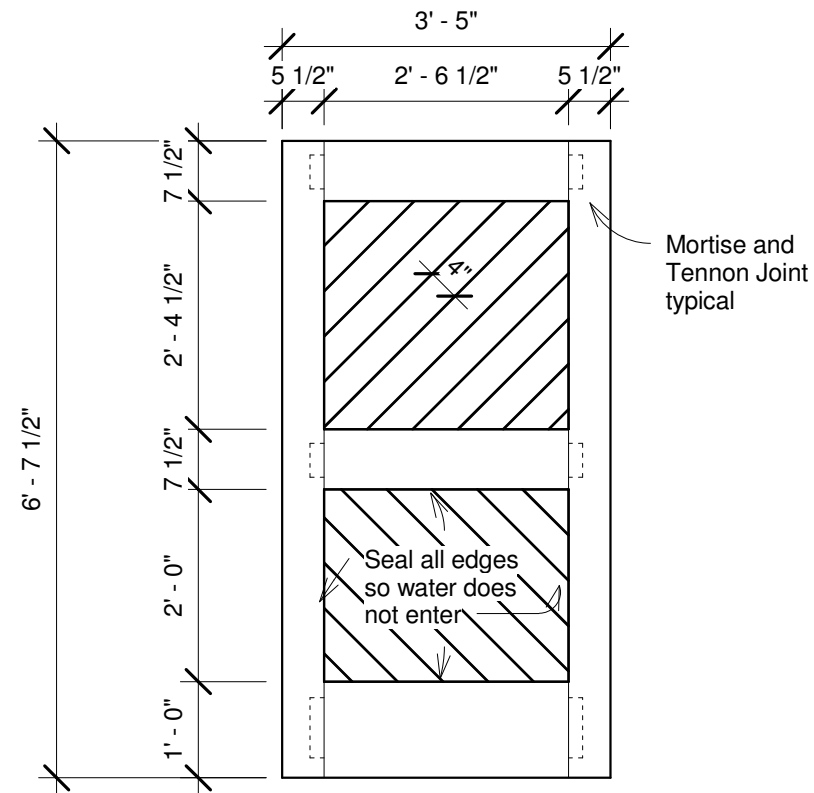
| |
|------------------------------------|
| Young Lee and Young Ju Rhee |
| 294 Marlborough Street, Boston, MA |
| Rear Yard Improvements |
| A102 -- Proposed |
| Date 9/18/2018 3:01:22 PM |



38 GREENWICH PARK
 BOSTON, MASSACHUSETTS 02118
 kunzarch@verizon.net
 617-267-1482



1 Gate Detail
 1/2" = 1'-0"



2 Gate Dimensions
 1/2" = 1'-0"

| |
|------------------------------------|
| Young Lee and Young Ju Rhee |
| 294 Marlborough Street, Boston, MA |
| Gate Construction Details |
| A103 |
| Date 9/19/2018 1:54:20 PM |