

In-kind replacement of 3 windows

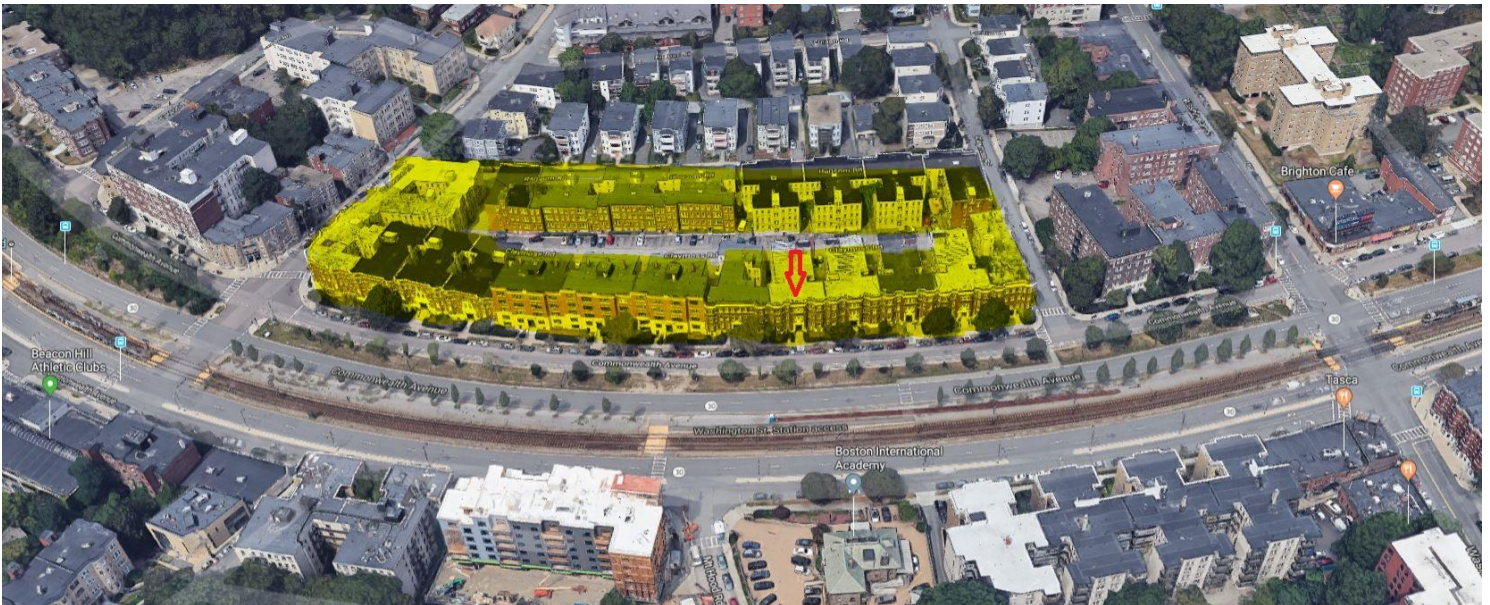
1641 Commonwealth Avenue, Unit 8 (2nd floor), Brighton, MA

Brighton Place Condominiums – 353 Units – 2,000+ windows

1625 Commonwealth Ave – 1677 Commonwealth Ave

9-15 Colborne Rd

4-38 Ransom Rd



Satellite Imagery as of 6/9/2017

Unit #8 is 1 of 353 units. The 353 units and their common areas' 2,000+ windows are vinyl. The buildings surrounding Brighton Place are vinyl as well. Unit 8 has 5 other non-visible vinyl windows on the rear of the building.

In replacing windows at Brighton Place Condominiums, the following specifications must be adhered to:

1. All windows must be replaced with windows that match the existing windows in the building and surrounding buildings of the unit.
2. Per the May 2018 HOA meeting, there are no imminent plans for an association-wide window replacement, as current windows are in good repair and only halfway through their life expectancy.

Existing Conditions



Front View



Front View



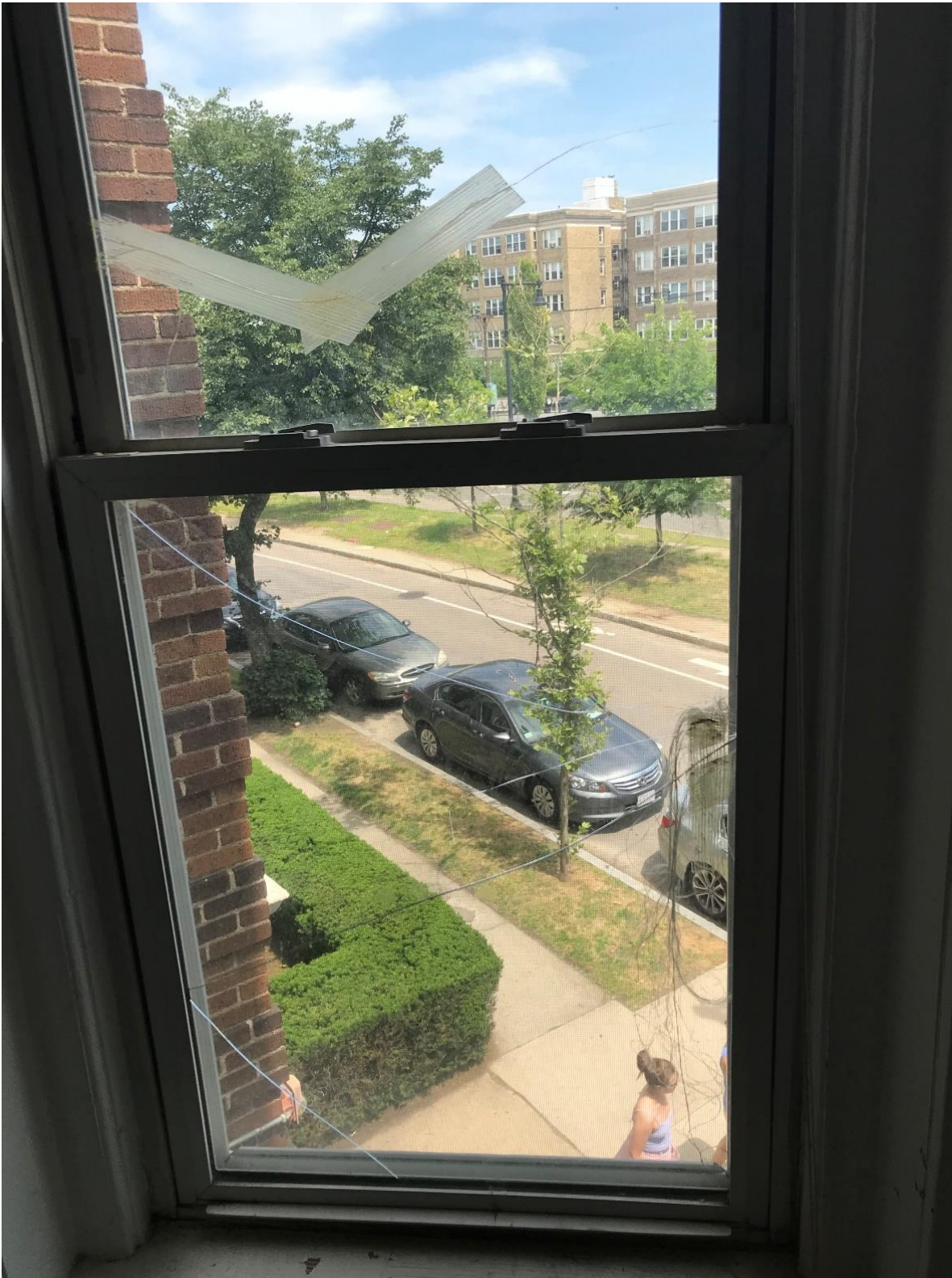
Front View



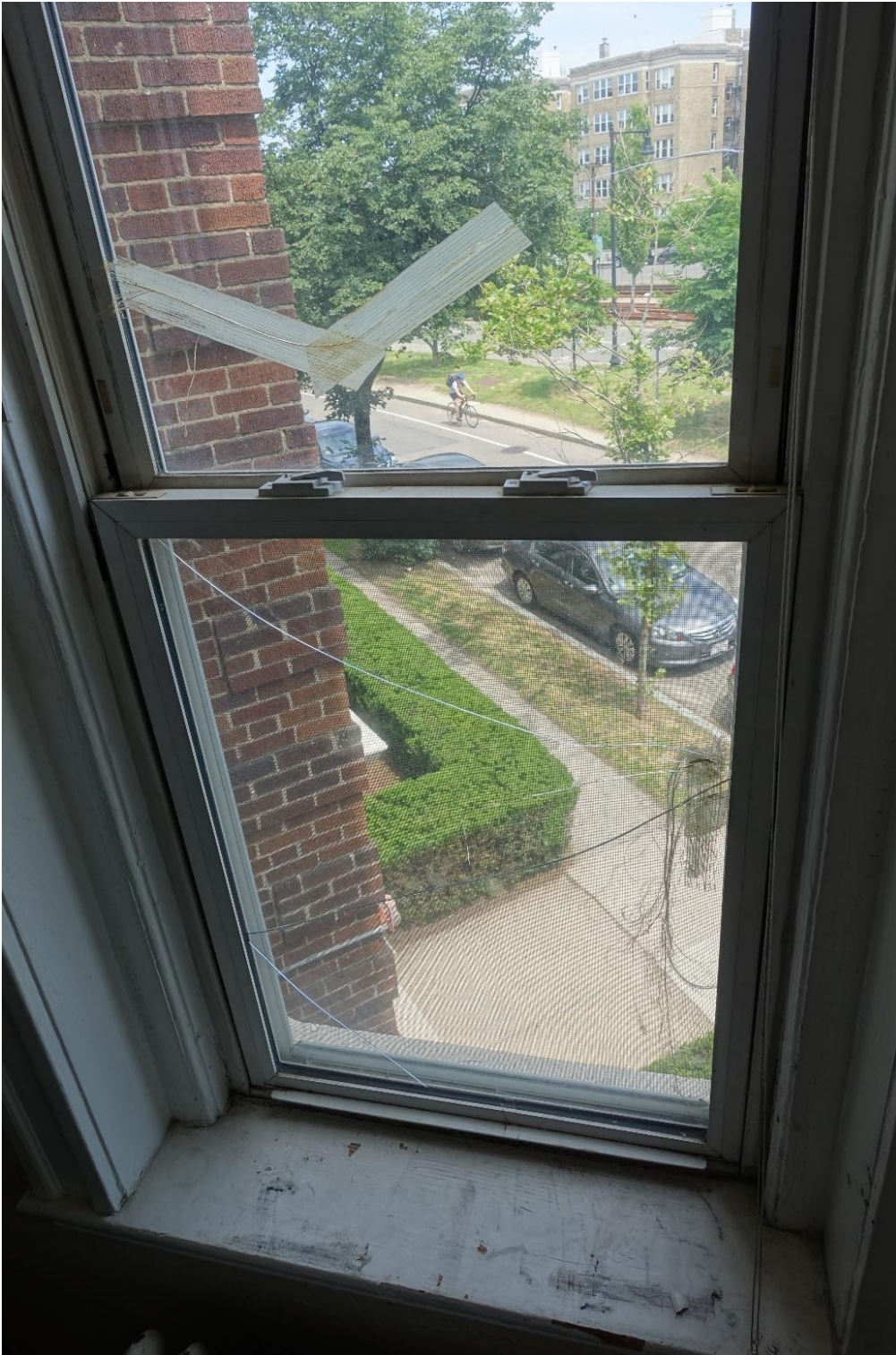
FRONT LEFT window is unable to open. Permanently locked shut.



FRONT CENTER and RIGHT windows



FRONT RIGHT window – upper and lower sashes both cracked on inside and outside. Held together with tape. This is the only window that opens. Blows in during strong winds if not locked. Water leakage during heavy rain and snow.



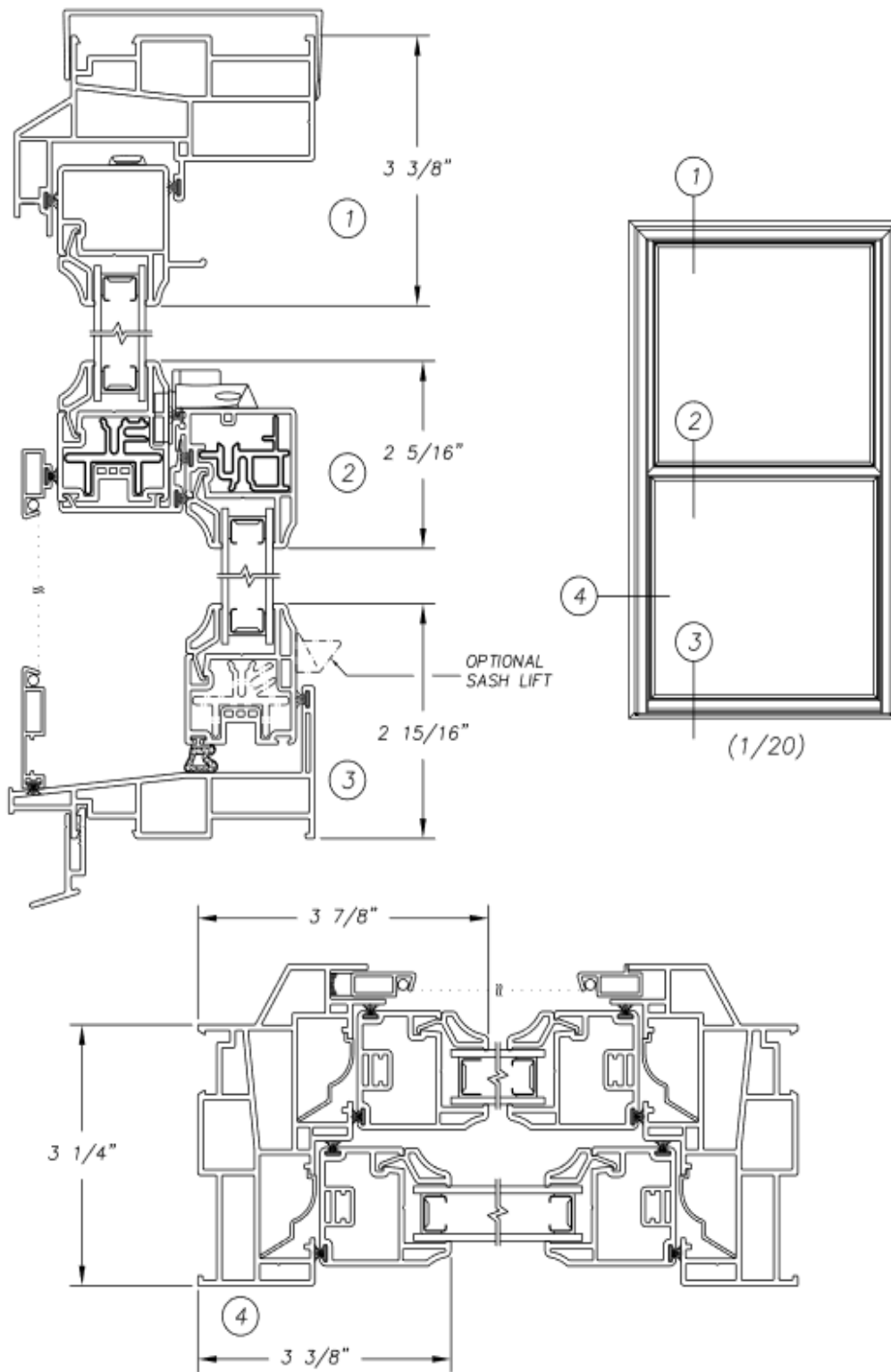
FRONT RIGHT window – upper and lower sashes both cracked on inside and outside. Held together with tape. This is the only window that opens. Blows in during strong winds if not locked. Water leakage during heavy rain and snow.



CENTER window is unable to open. Permanently locked shut.

Replacement windows
Color: interior - white, exterior - white

1641 Commonwealth Ave,
Unit 8, Brighton MA 02135



REV. 5/11

AS 409

2X Double Hung Vinyl Window - 27.25x64.25Glass type **Double pane energy star**Interior frame color **White**Construction type **Replacement**Screen type **Views half screen**Lift style **Integral lift**Grids **None**Exterior frame color **White**Location **Living room**Hardware color **White****1X Double Hung Vinyl Window - 39.25x64.25**Glass type **Double pane energy star**Interior frame color **White**Construction type **Replacement**Screen type **Views half screen**Lift style **Integral lift**Grids **None**Exterior frame color **White**Location **Living room**Hardware color **White**



Rear of building

1641 Commonwealth Avenue, Unit 8, Brighton, MA 02135

June 2018



Rear of building



Rear of building