

# 159 West Newton Street, Boston

**Garden level front two windows (exterior view)**



**Garden level front two windows (interior view)**



# 159 West Newton Street, Boston

**Garden level left window detail  
(interior view)**



**Garden level left window detail  
(exterior view)**



# 159 West Newton Street, Boston

Garden level right window detail (interior view)



Garden level right window detail (exterior view)



# 159 West Newton Street, Boston

Parlor level front two windows (exterior view)



Parlor level front two windows (interior view)



# 159 West Newton Street, Boston

**Parlor level left window detail  
(interior view)**



**Parlor level right window detail  
(interior view)**



# 159 West Newton Street, Boston

**Bedroom level left window (interior view)**



**Bedroom level left window detail (interior view)**

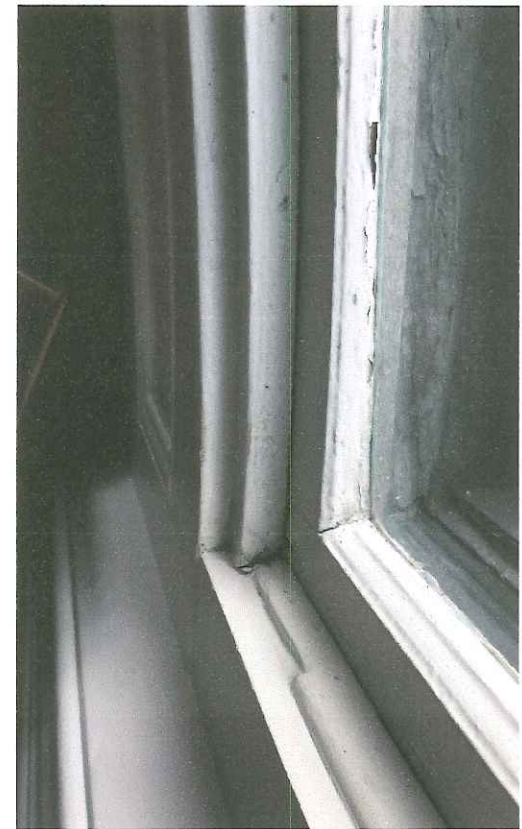


# 159 West Newton Street, Boston

**Bedroom level right window  
(interior view)**



**Bedroom level right window detail  
(interior view)**



# 159 West Newton Street, Boston

Bedroom level right window detail (interior view)



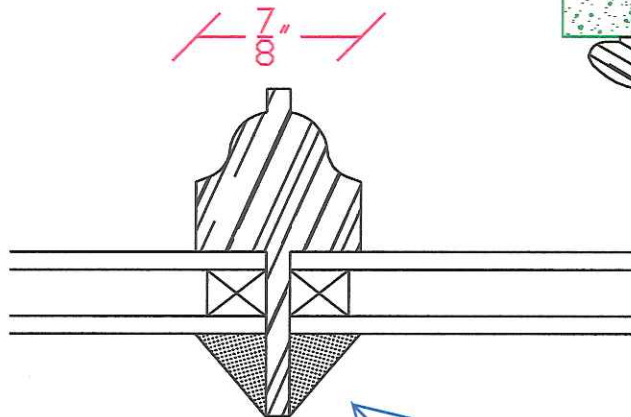
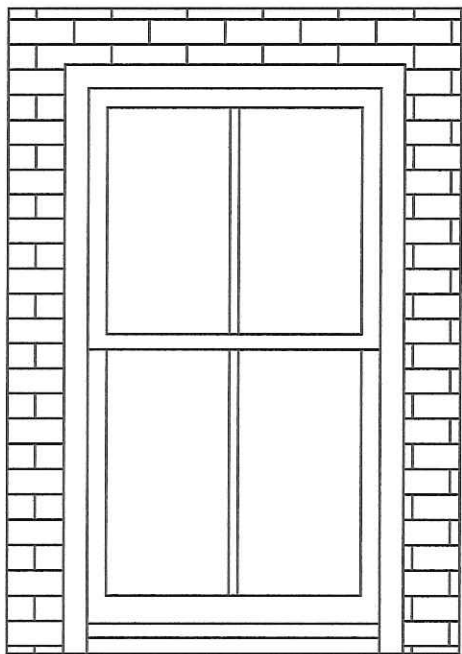
Bedroom level straight window (interior view)



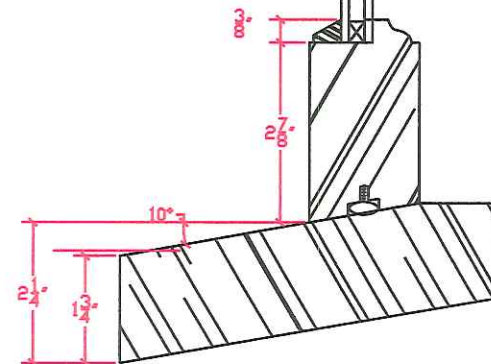
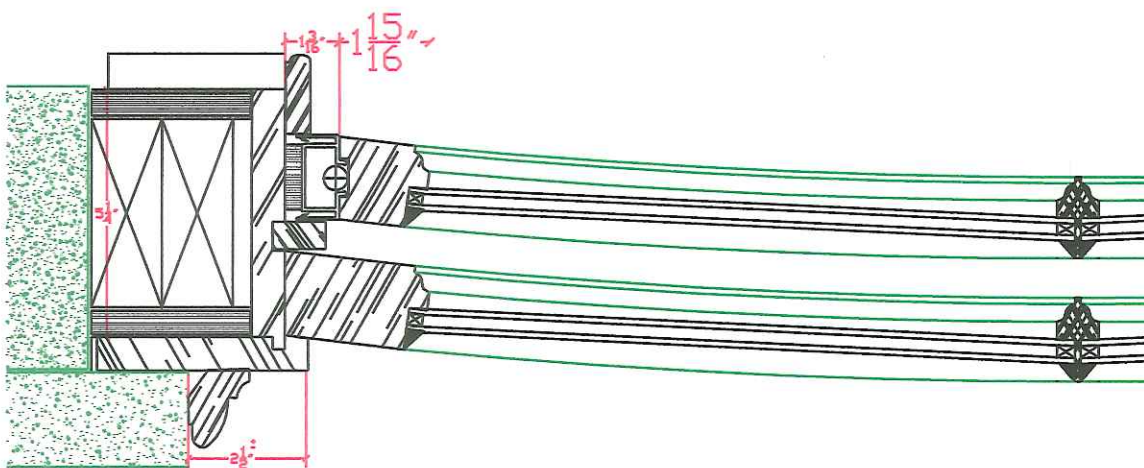
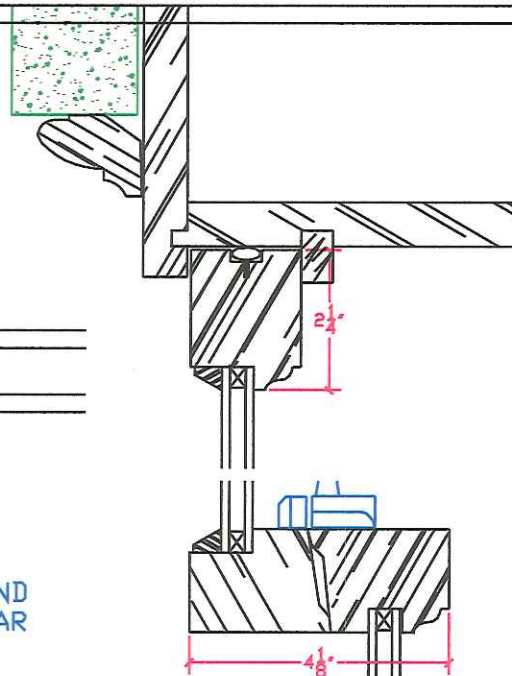
Bedroom level straight window detail (interior view)







GLAZING COMPOUND  
AT MUNTIN BAR



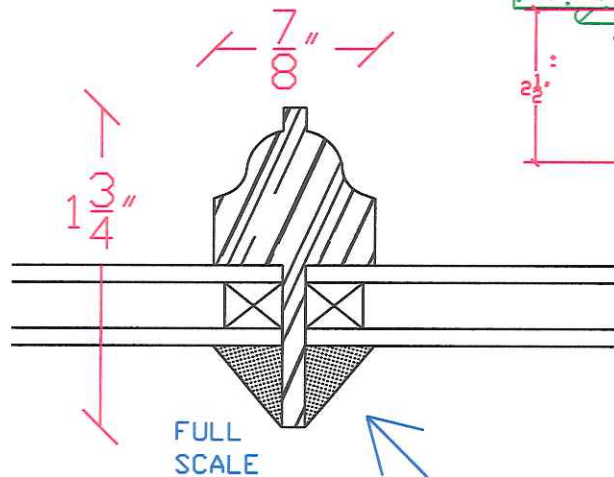
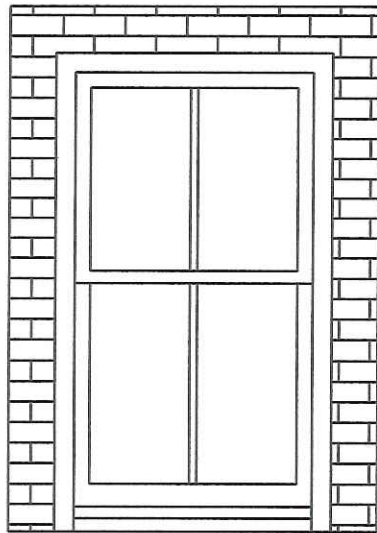
JB S/H PROPER-BOSTONIAN BOWED  
REPLACEMENT WINDOW -2/2 LAYOUT

DATE:  
01/28/13

APPROVED BY:

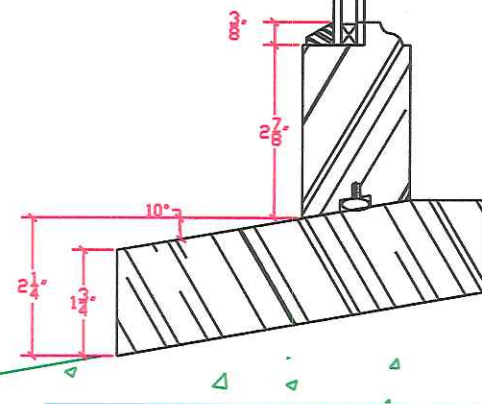
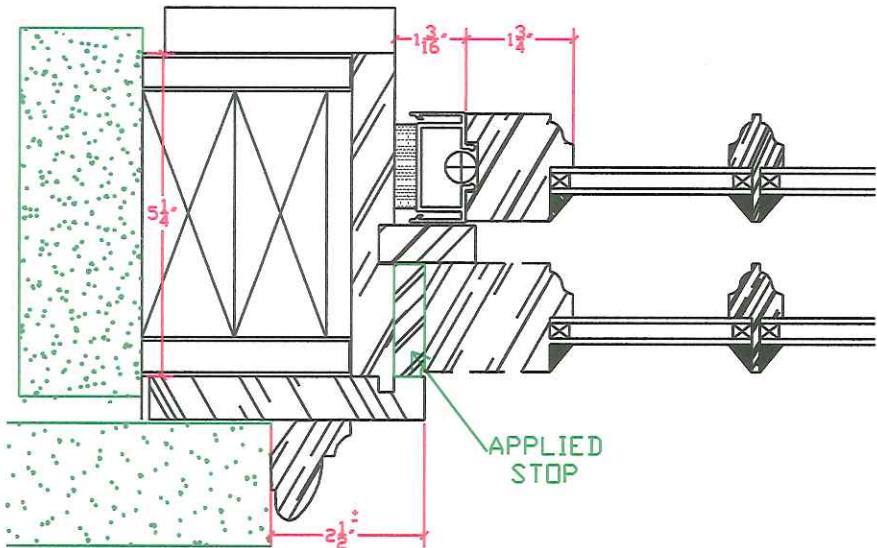
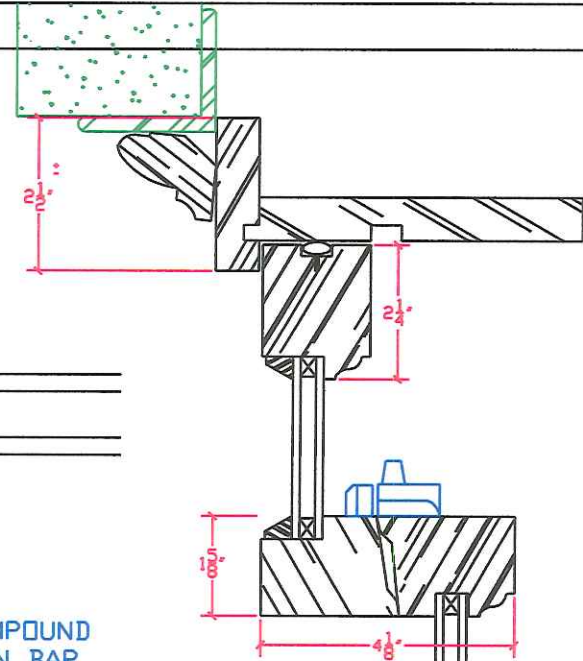
R.L.B.  
SCALE

J.B. SASH & DOOR CO., INC.  
CHELSEA, MA



FULL SCALE

GLAZING COMPOUND AT MUNTIN BAR



JB PROPER BOSTONIAN SH WIN UNIT  
2/2 LAYOUT - 7/8" BAR

DATE:

APPROVED BY:

R.L.B.  
SCALE

04/20/11

J.B. SASH & DOOR CO., INC.  
CHELSEA, MA