















































IMPORTANT

PLEASE READ THESE INSTRUCTIONS CAREFULLY BEFORE INSTALLING AND USING THIS WINDOW. FAILURE TO FOLLOW THESE INSTRUCTIONS MAY VOID THE WARRANTY AND CAUSE DAMAGE TO YOUR PROPERTY.

INSTALLATION INSTRUCTIONS

1. Read the installation instructions carefully before beginning installation.

2. Make sure the window is level and square before installing.

3. Use the provided hardware to secure the window to the rough opening.

4. Do not force the window open or closed.

5. Do not use the window as a door.

6. Do not use the window as a work surface.

7. Do not use the window as a support for ladders or other equipment.

8. Do not use the window as a storage area.

9. Do not use the window as a workbench.

10. Do not use the window as a work table.

11. Do not use the window as a work surface.

12. Do not use the window as a workbench.

13. Do not use the window as a work table.

14. Do not use the window as a work surface.

15. Do not use the window as a workbench.

16. Do not use the window as a work table.

17. Do not use the window as a work surface.

18. Do not use the window as a workbench.

19. Do not use the window as a work table.

20. Do not use the window as a work surface.

MARVIN

MARVIN

Model: 6000

Color: White

Size: 48" x 60"

U-Factor: 0.25

R-Value: 2.0

Weight: 15 lbs

Material: Vinyl

Warranty: 10 Year

Manufacturer: Marvin Windows

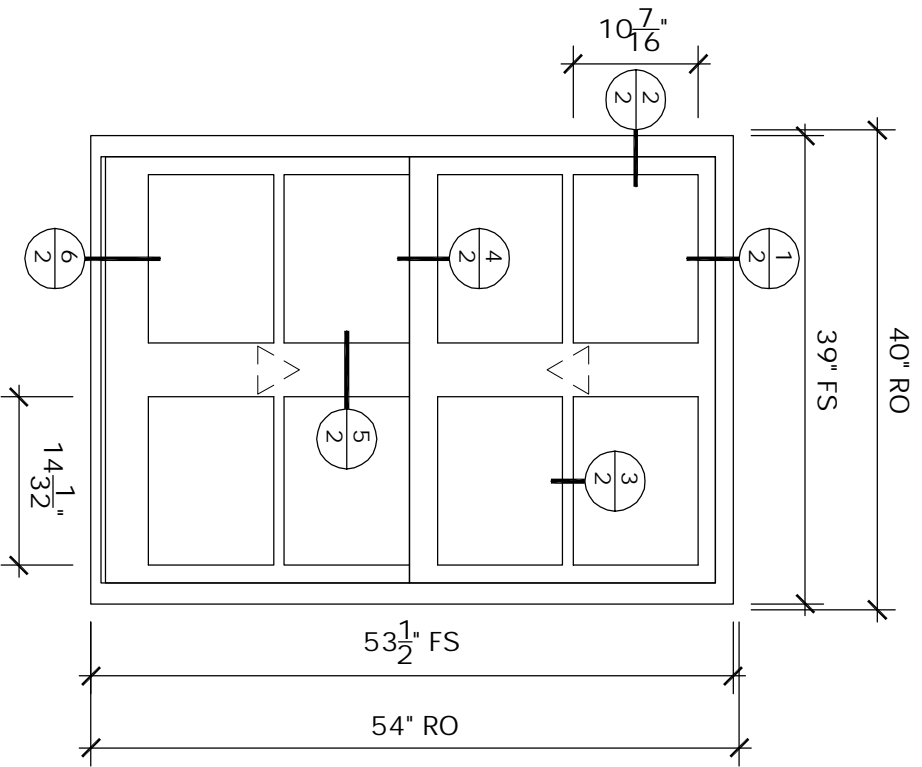
Country of Origin: USA

Product Code: 6000-01

Barcode: [Barcode]





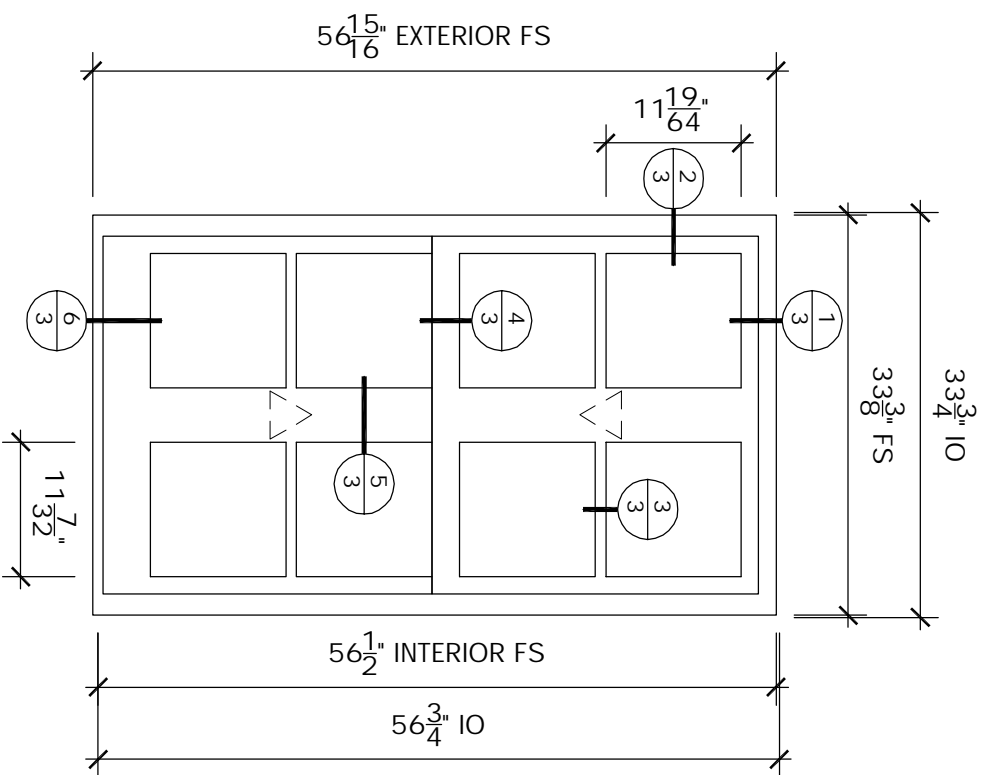


#1

QTY: 2

SCALE: 3/4" = 1'-0"
WUJDH

7/8" SDL WITH SPACER BAR
CUSTOM 4-1/2" VERTICAL SDL WITH DOUBLE SPACER BAR
4-9/16" JAMBS
NO CASING - NO SUBSILL

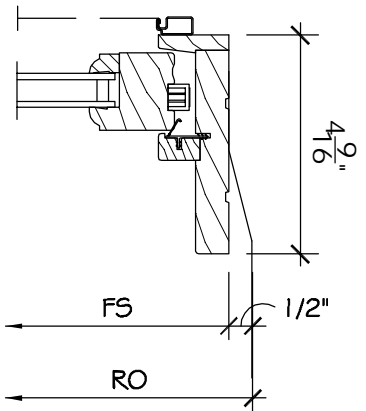


TOP FLOOR

QTY: 2

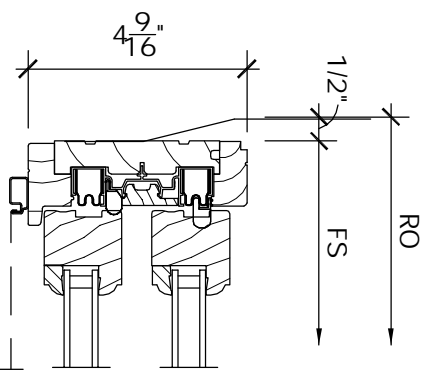
SCALE: 3/4" = 1'-0"
WUJDH

8° FRAME BEVEL
7/8" SDL WITH SPACER BAR
CUSTOM 4-1/2" VERTICAL SDL WITH DOUBLE SPACER BAR
4-9/16" JAMBS



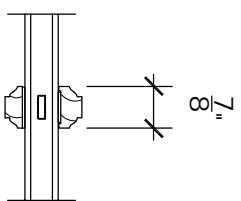
1
2

HEAD JAMB
SCALE: 3" = 1'-0"



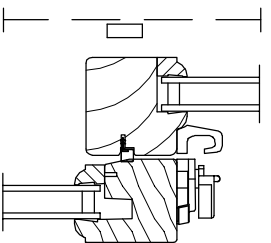
2
2

LEFT JAMB
SCALE: 3" = 1'-0"



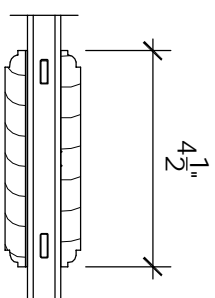
3
2

7/8" SDL WITH SPACER BAR
SCALE: 3" = 1'-0"



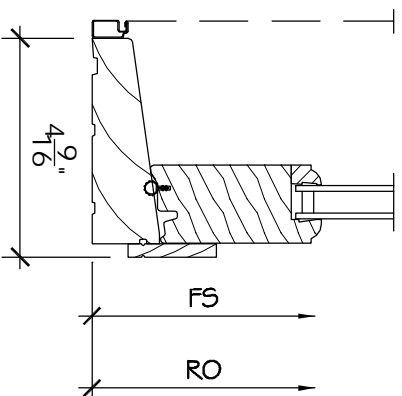
4
2

CHECKRAIL
SCALE: 3" = 1'-0"



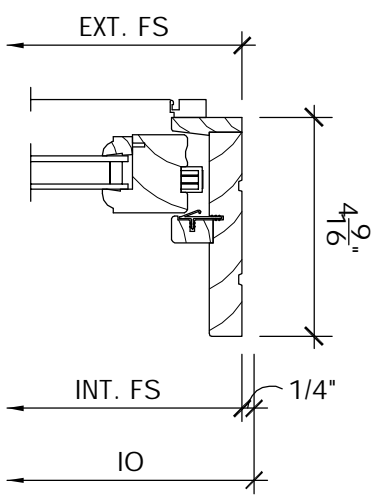
5
2

4-1/2" SDL W/DOUBLE SPACER BAR
SCALE: 3" = 1'-0"



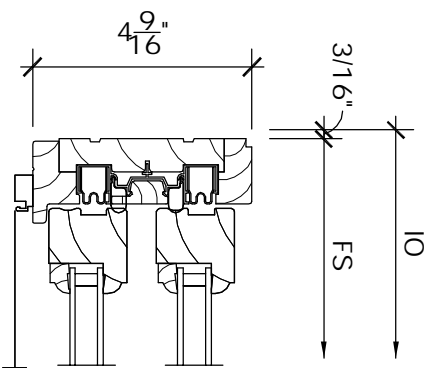
6
2

SILL
SCALE: 3" = 1'-0"



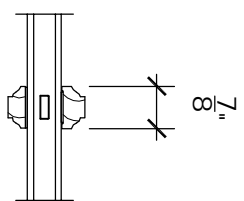
1
3

HEAD JAMB
SCALE: 3" = 1'-0"



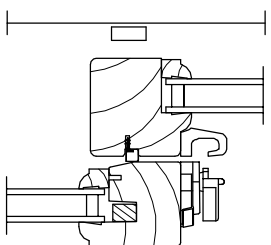
2
3

LEFT JAMB
SCALE: 3" = 1'-0"



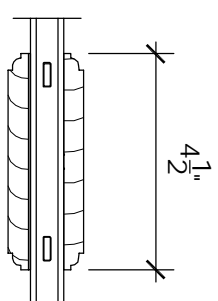
3
3

7/8" SDL WITH SPACER BAR
SCALE: 3" = 1'-0"



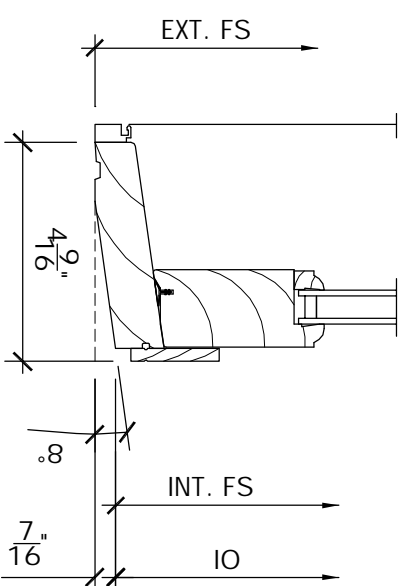
4
3

CHECKRAIL
SCALE: 3" = 1'-0"



5
3

4-1/2" SDL W/DOUBLE SPACER BAR
SCALE: 3" = 1'-0"



6
3

SILL
SCALE: 3" = 1'-0"