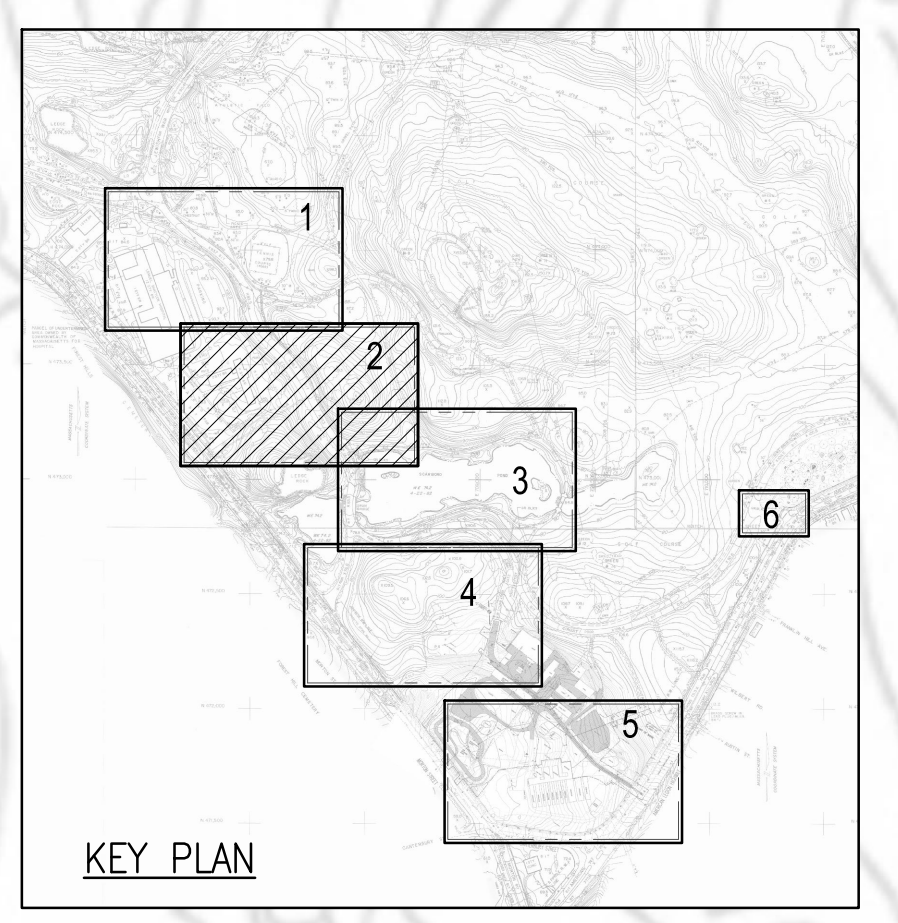




LEGEND

- LIMIT OF WORK
- 1+00 STATIONING
- XXX.XX SPOT GRADE, TYP.
- 2% MAX SLOPE, TYP.
- 1.38 PROPOSED CONTOUR, TYP.
- 1.38 EXISTING CONTOUR, TYP.



12 LOW PROFILE DIVERSION
LD-7
DRAIN MANHOLE
CB DIV. RIM 80.66
8" INV. OUT 77.60
12" INV. OUT 77.60
WEIR = 78.30

8" HDPE
L=60 S=0.5%
FLARED END
RIM 77.30
INV. OUT 74.90

OVERFLOW
RIM 77.50
INV. OUT 74.90

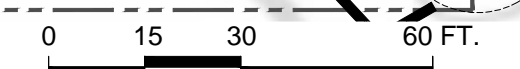
SAND FILTER
9
LD-7

LIMIT OF BORDERING LAND
SUBJECT TO FLOODING

EMERGENCY SPILLWAY
(TO BE FIELD LOCATED)
LD-7
11

12" HDPE
L=70 S=0.5%
CB RIM 79.32
INVERT IN 74.50

MATCH LINE SEE SHEET L-3A



Prepared By:
kzla
Kyle Zick Landscape Architecture, Inc.
36 Bromfield Street Suite 202
Boston, MA 02108
617.451.1018 Tel
www.kylezick.com



No.	Date	Revision

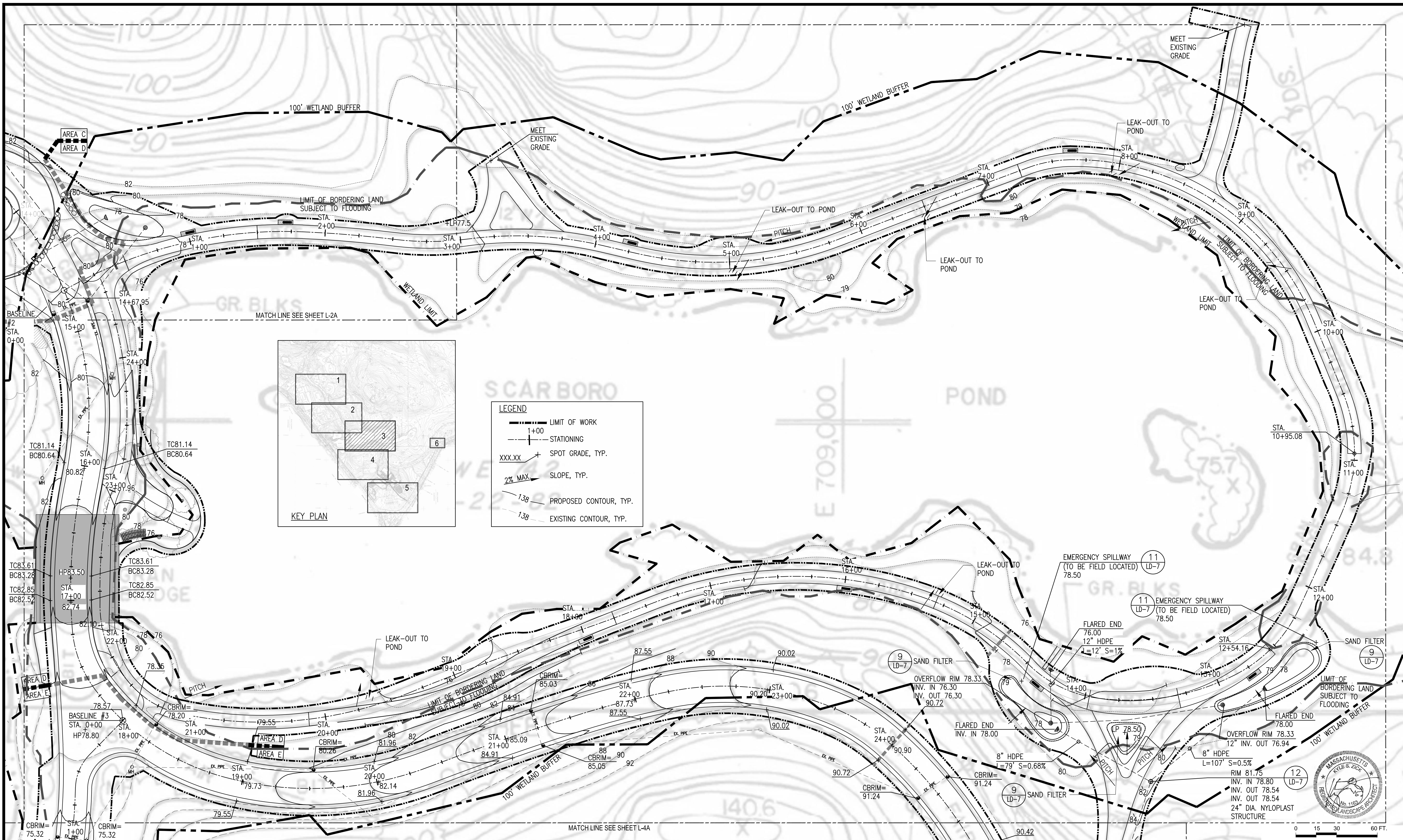
Approved By: _____ Date: _____

Project Name: Phase 5B: Franklin Park Pathways: Lower Circuit Drive and Scarboro Pond Area

BPRD Project No.	PROJECT NO.
Date	2/21/2018
Scale	1"=30'-0"
Drawn	YL
Checked	KZ

Sheet Name: Grading Plan

Section: L-2A



Prepared By:
kzla
 Kyle Zick Landscape Architecture, Inc.
 36 Bromfield Street Suite 202
 Boston, MA 02108
 617 451-1018 Tel
 www.kylezick.com



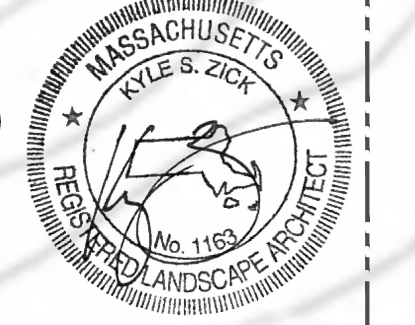
No.	Date	Revision

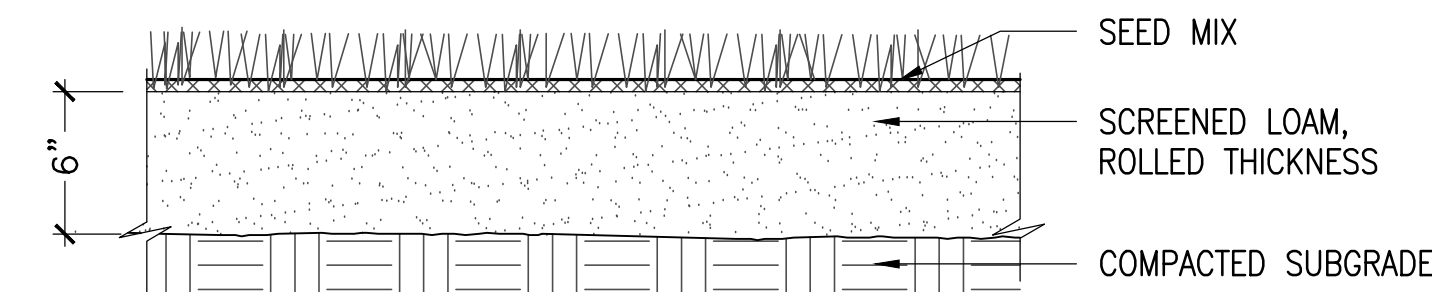
Approved By: _____ Date: _____

Project Name: Phase 5B: Franklin Park Pathways: Lower Circuit Drive and Scarboro Pond Area

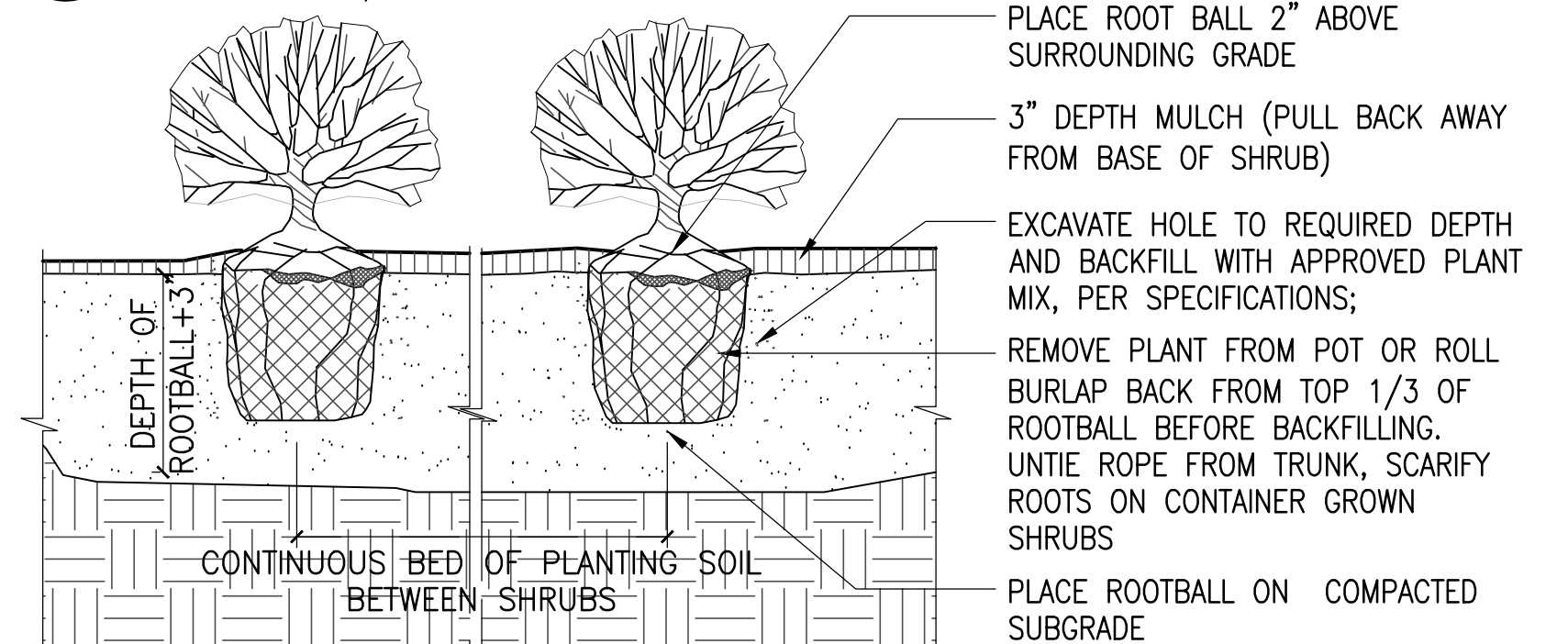
BPRD Project No.	PROJECT NO.
Date	2/21/2018
Scale	1"=30'-0"
Drawn	YL
Checked	KZ

Sheet Name: Grading Plan
 Section: L-3A

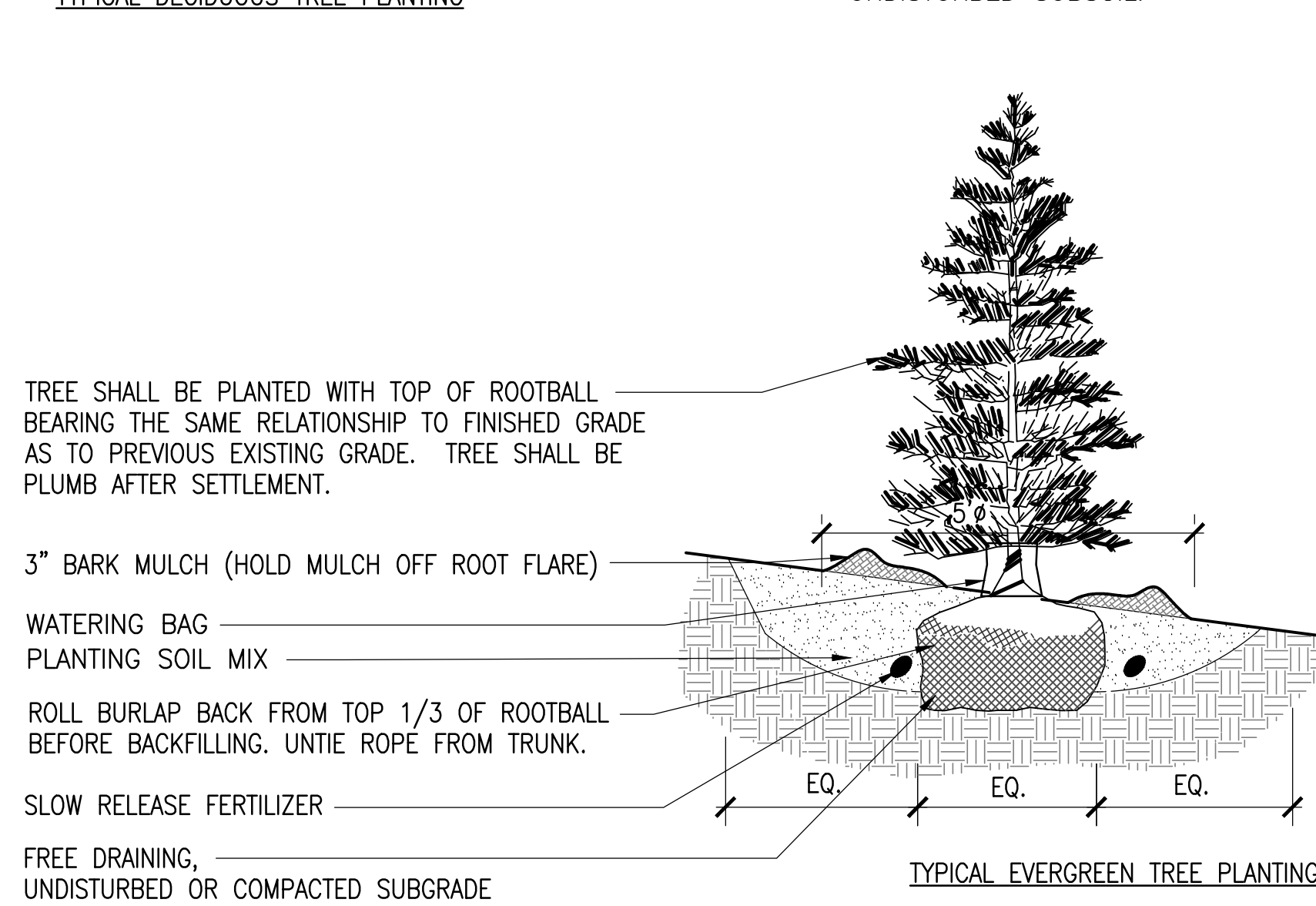
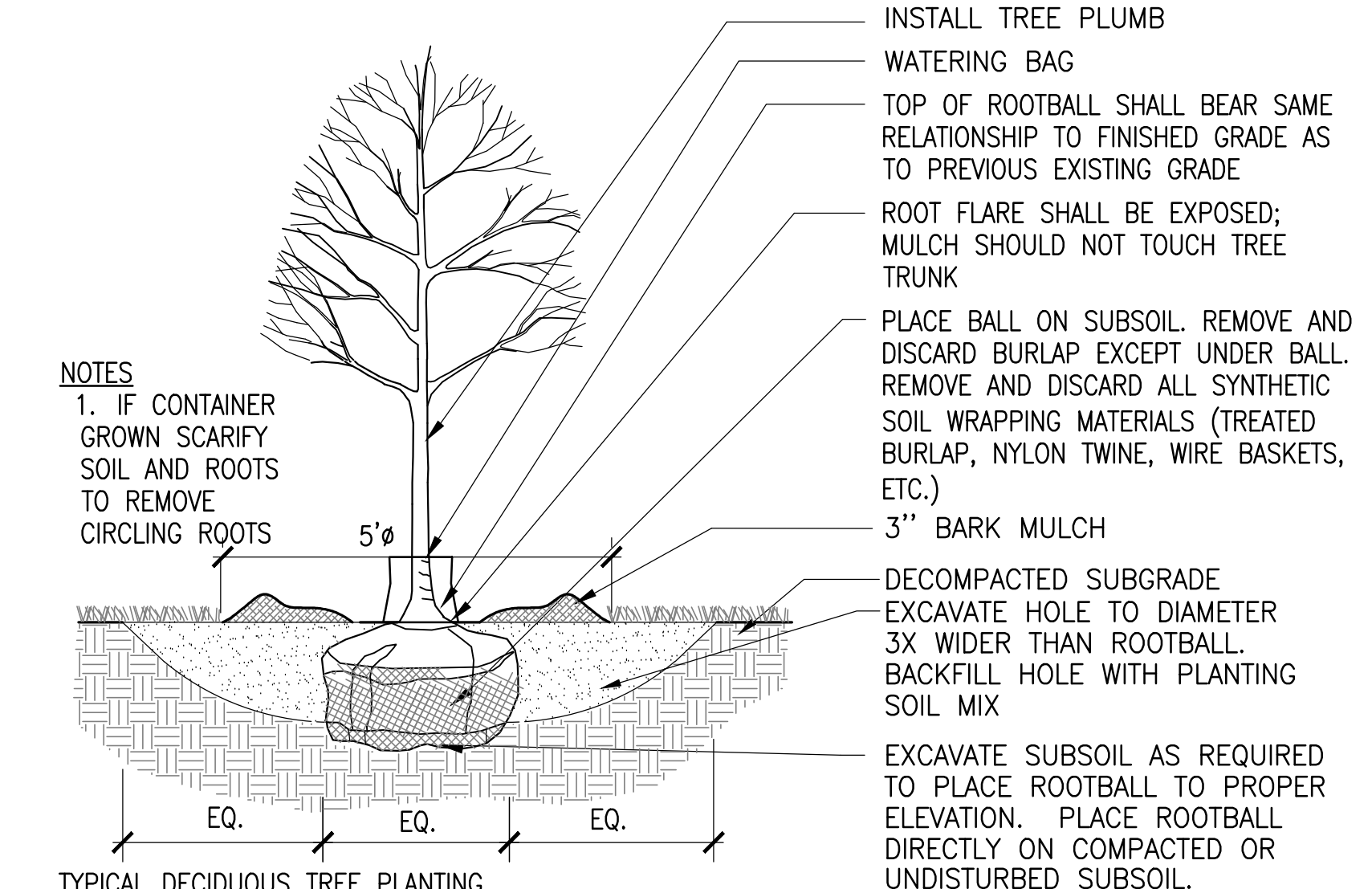




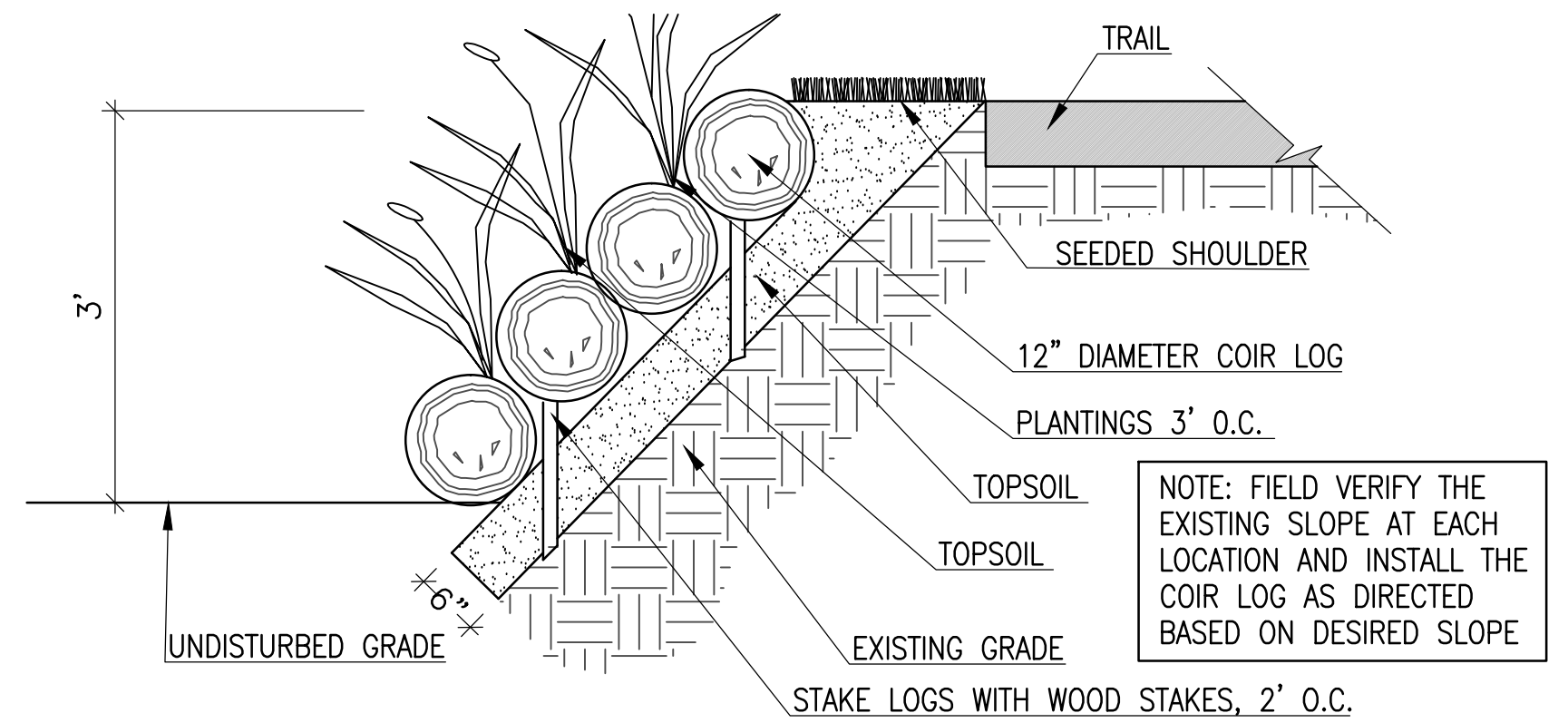
1 SEED MIX
SCALE: 1' - 1/2" = 1' - 0"



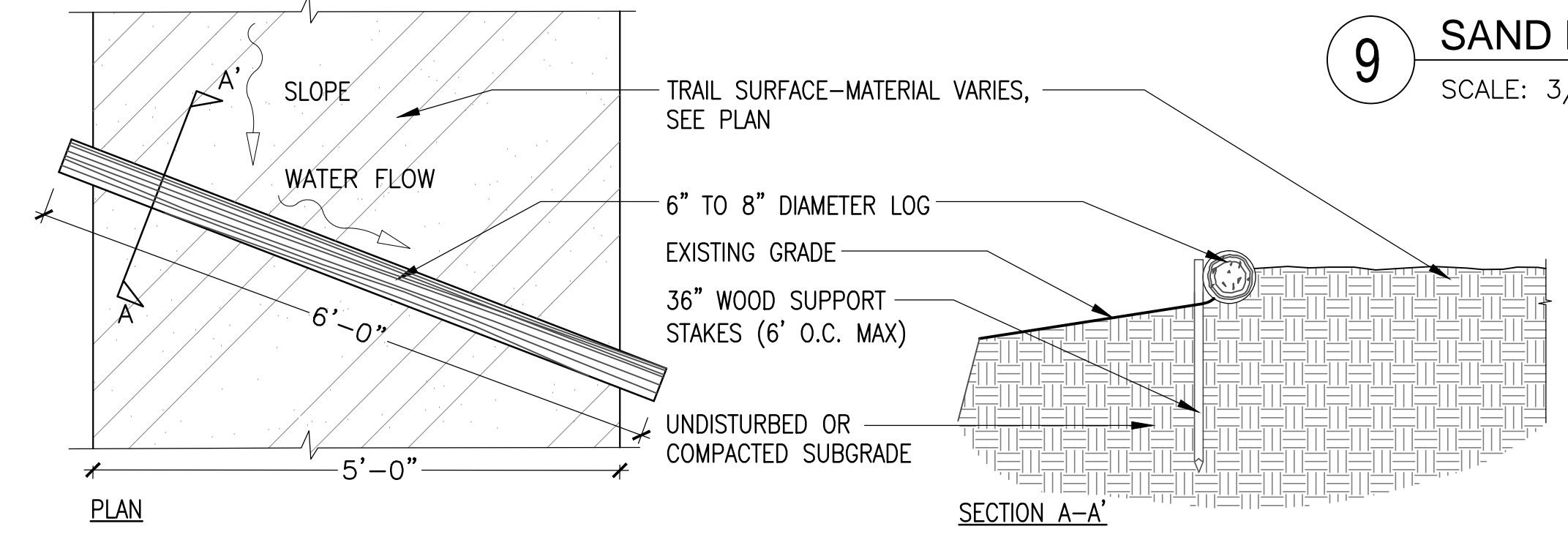
2 SHRUB PLANTING
SCALE: 1 1/2" = 1' - 0"



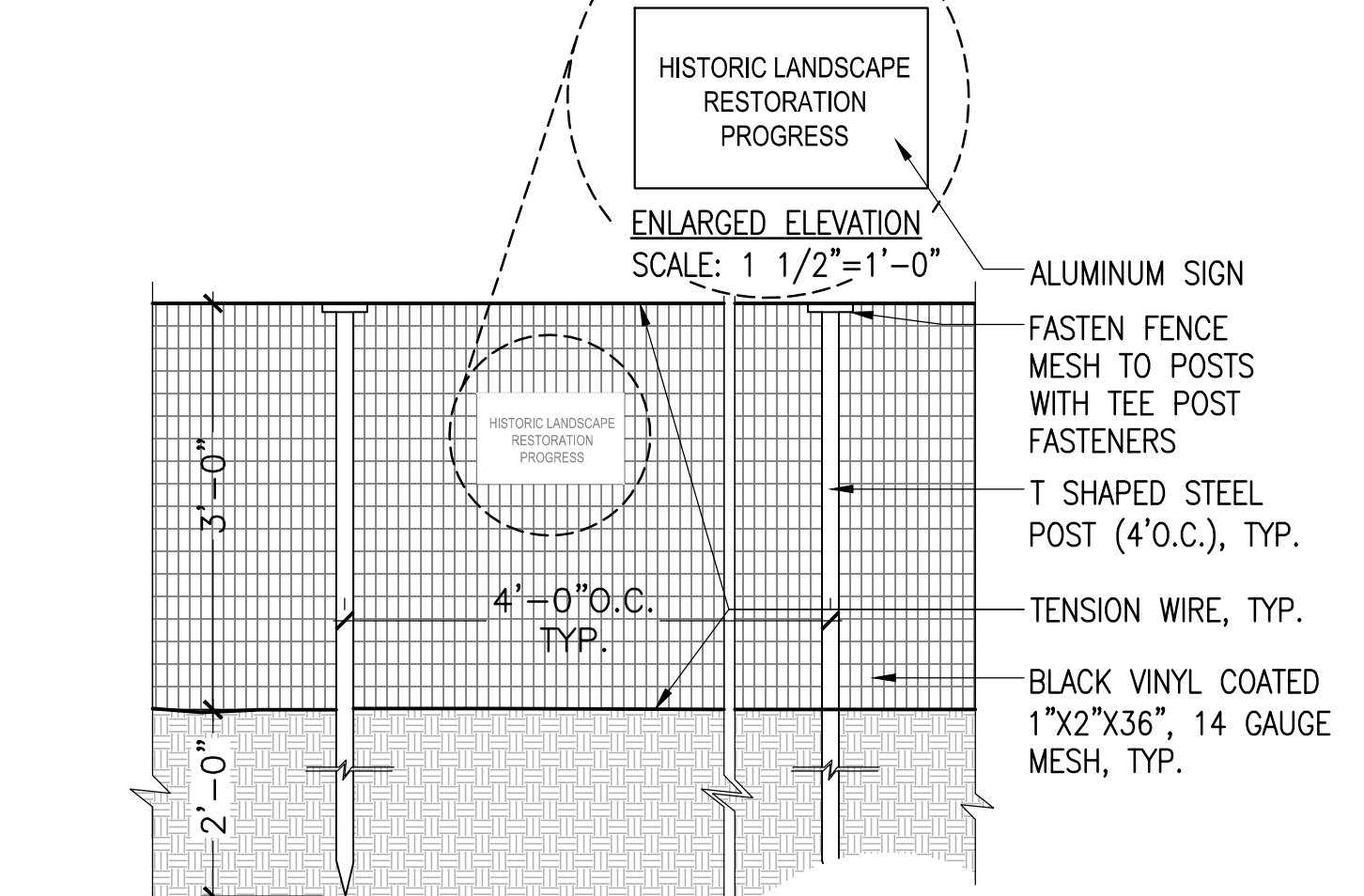
3 TREE PLANTING
SCALE: N.T.S.



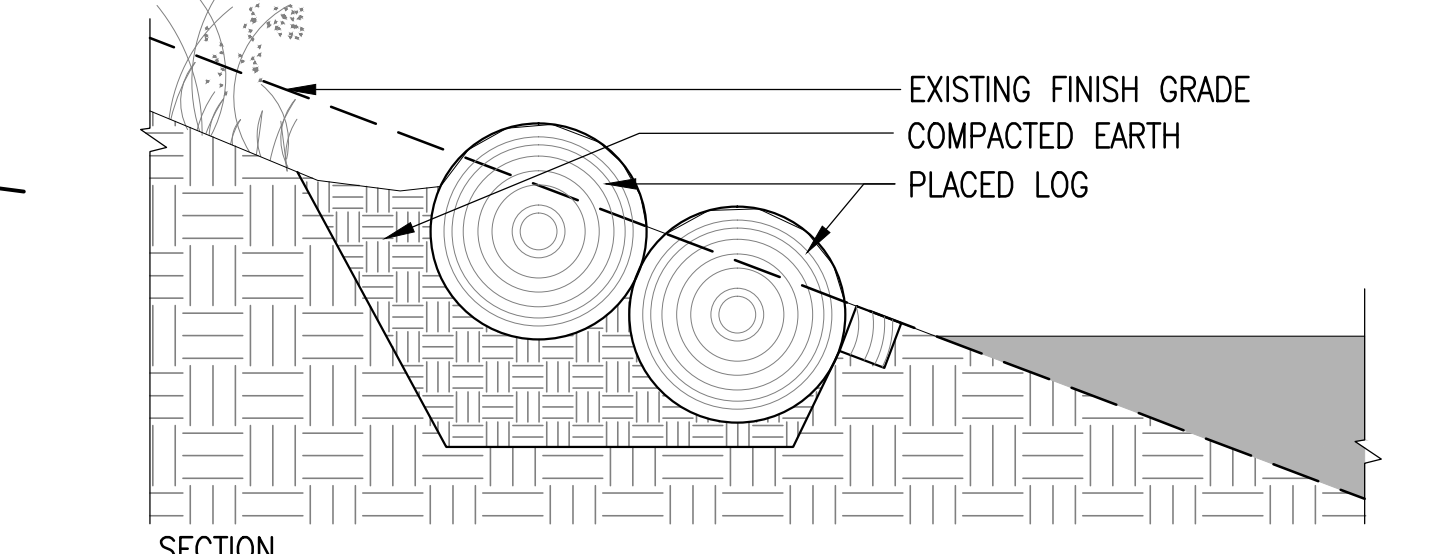
4 BANK STABILIZATION WITH SEEDLINGS
SCALE: 3/4" = 1' - 0"



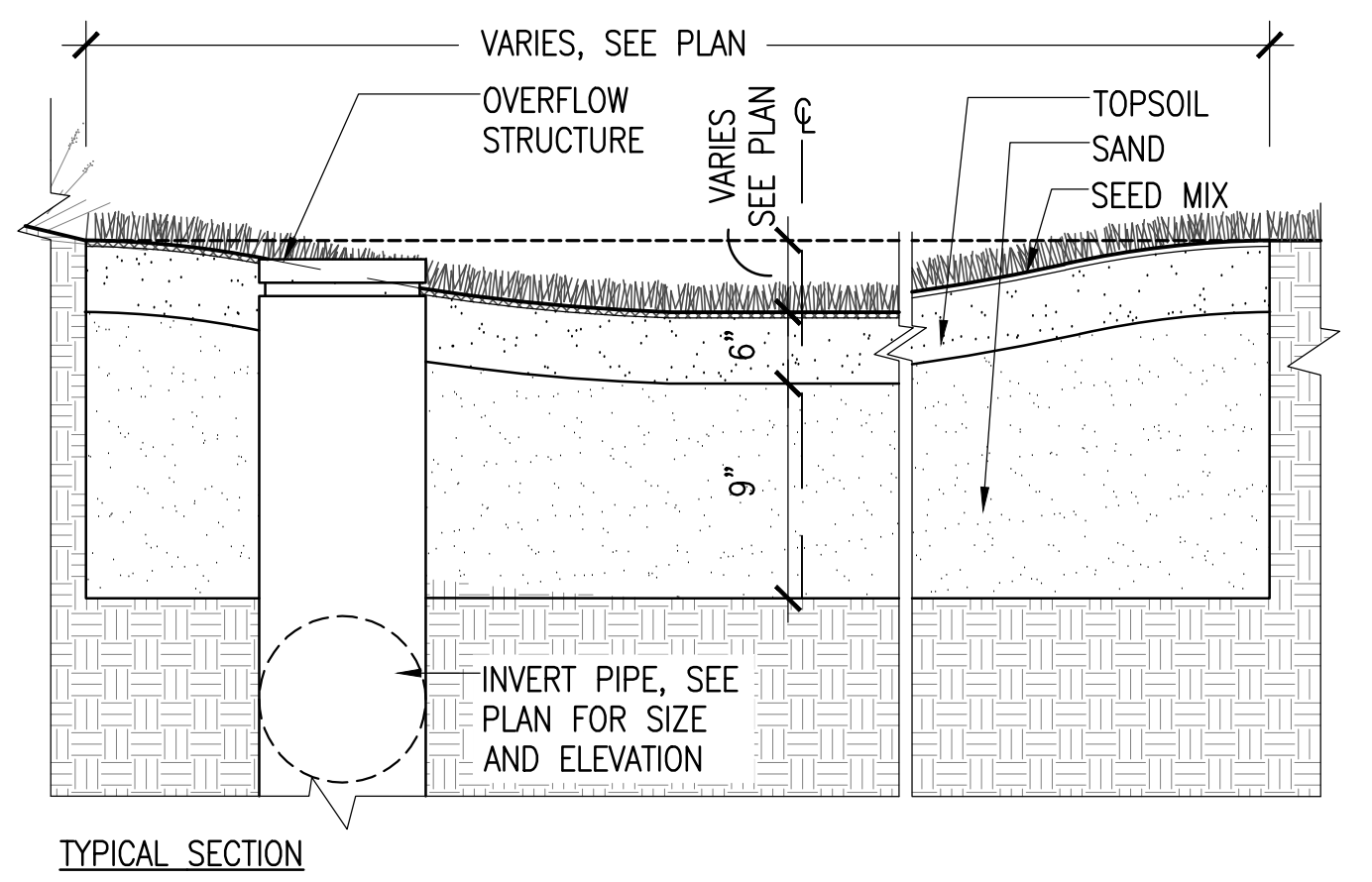
5 WATER BAR
SCALE: 3/4" = 1' - 0"



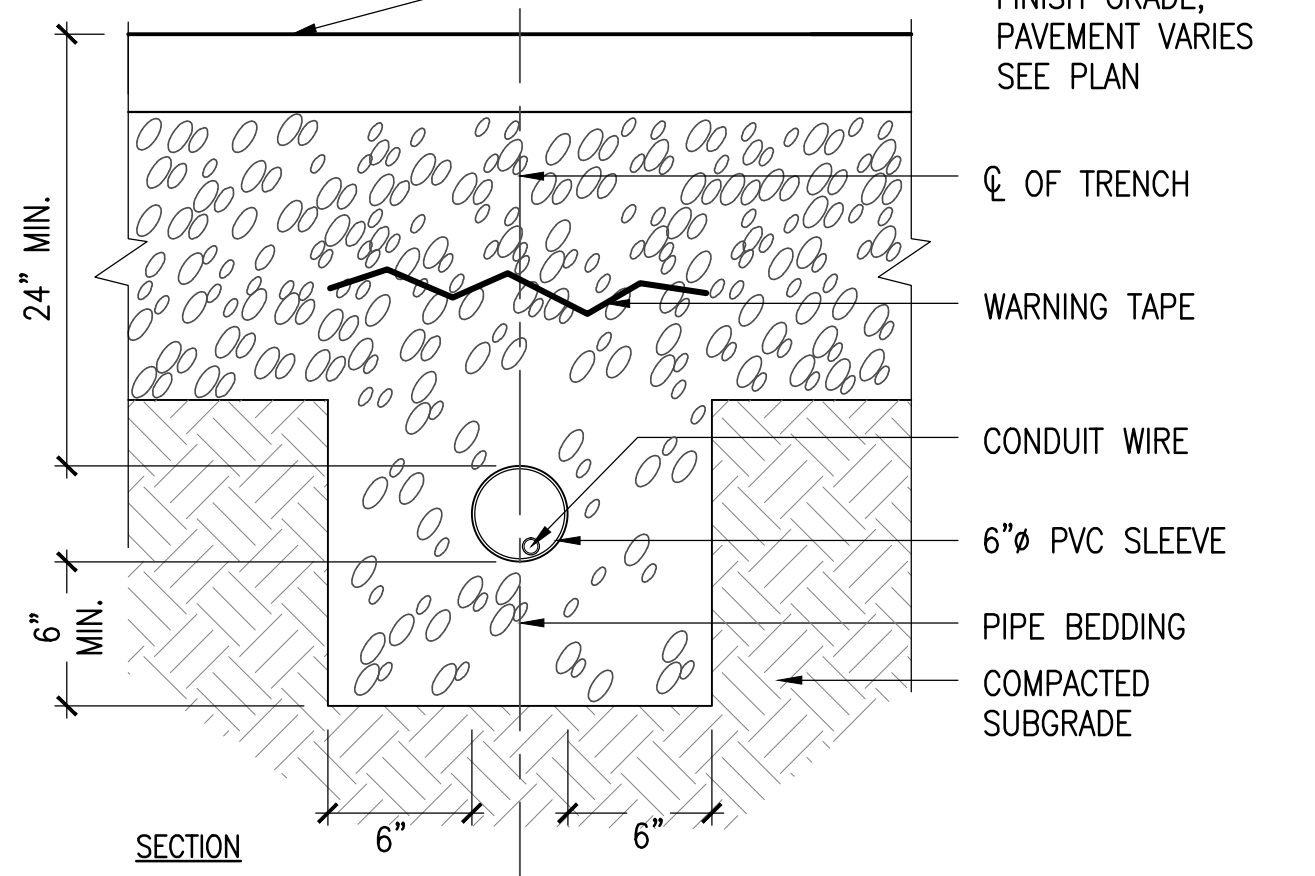
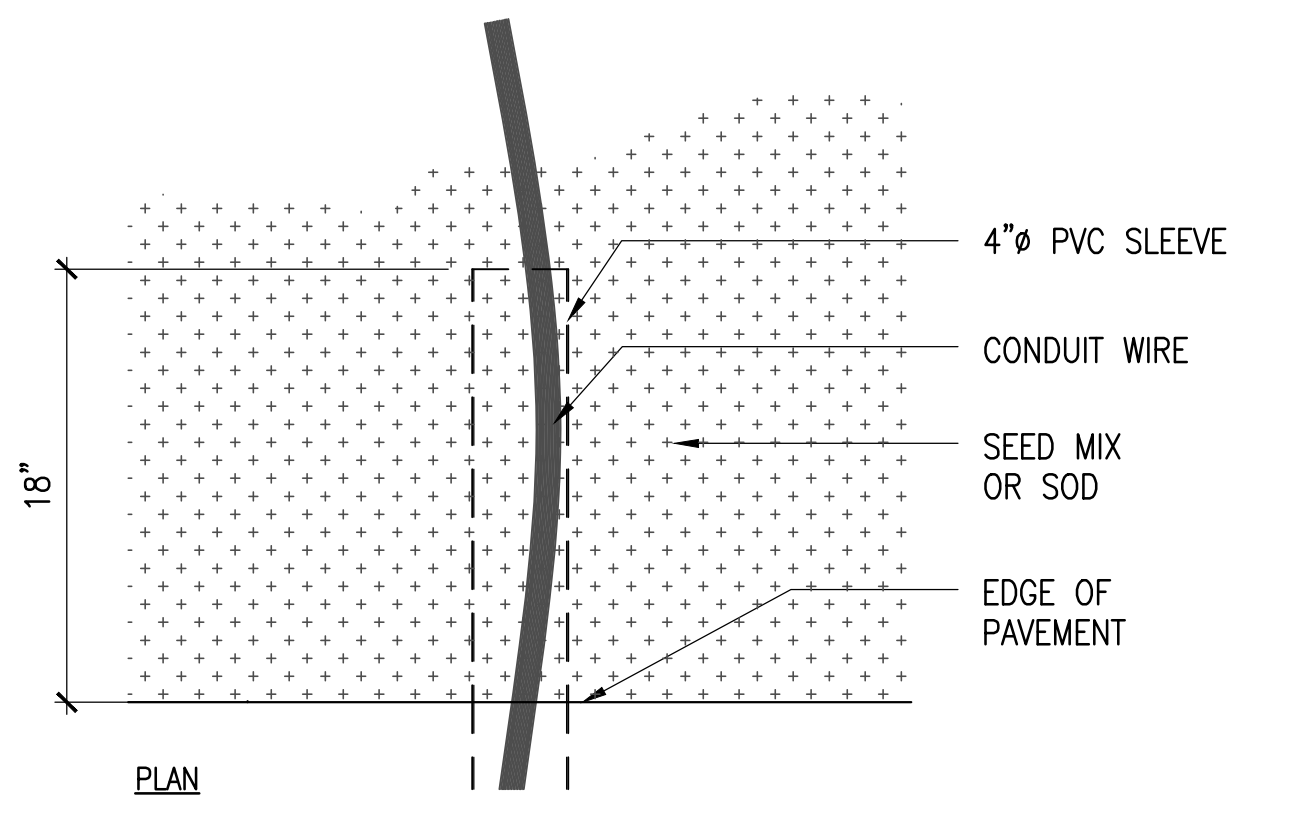
6 TEMPORARY FENCE
SCALE: 3/4" = 1' - 0"



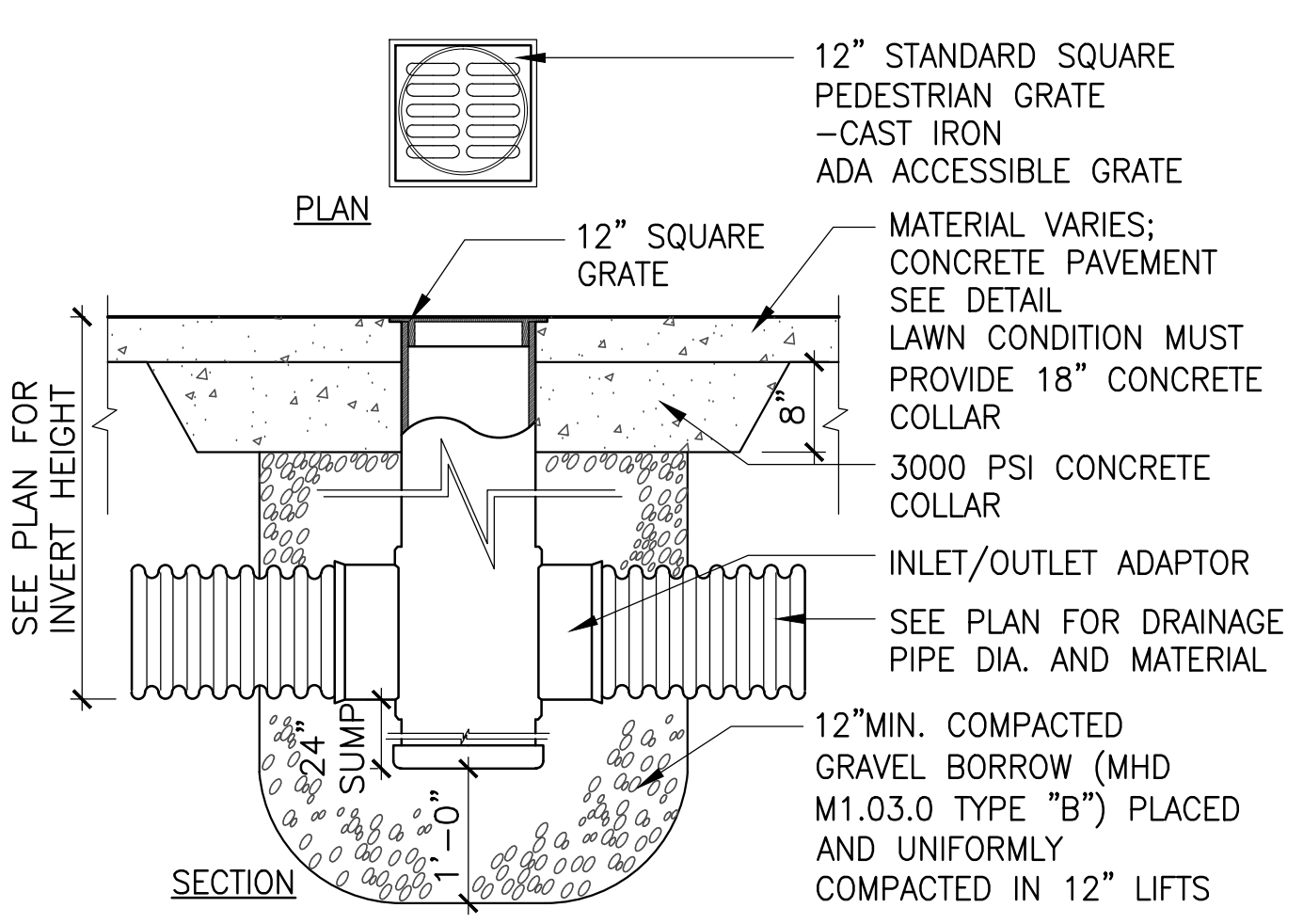
7 LOG EDGE
SCALE: 3/4" = 1' - 0"



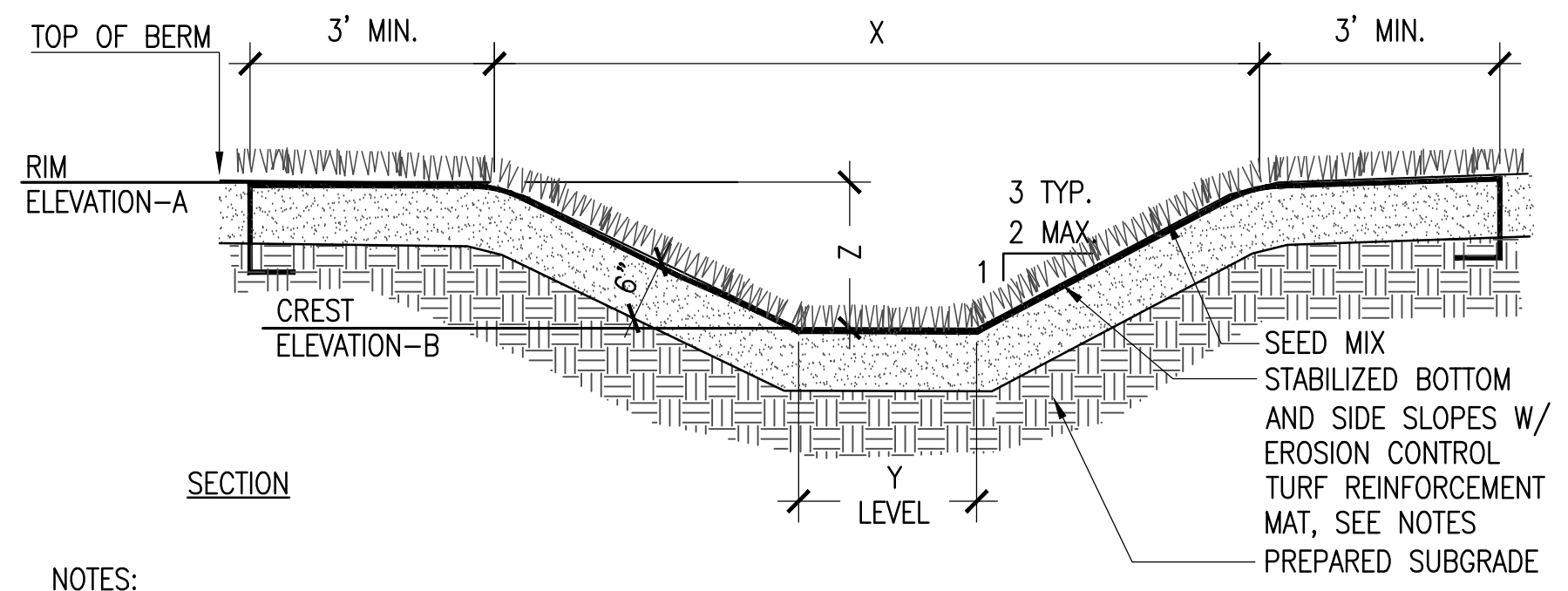
9 SAND FILTER
SCALE: 3/4" = 1' - 0"



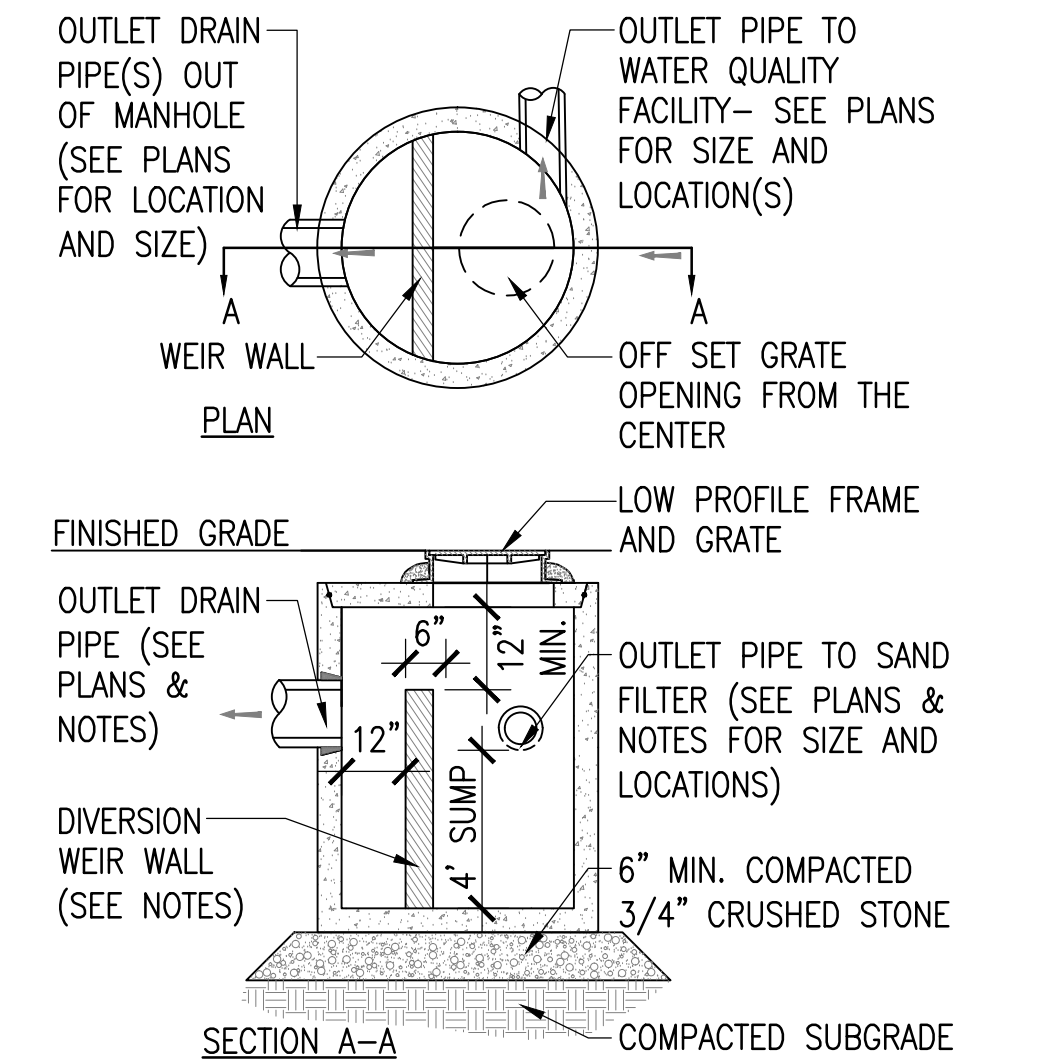
8 CONDUIT SLEEVE
SCALE: 1' - 1/2" = 1' - 0"



10 OVERFLOW DRAIN
SCALE: 3/4" = 1' - 0"



11 SPILLWAY WITH PERMANENT TURF REINFORCED MATTING
SCALE: 3/4" = 1' - 0"



12 LOW PROFILE DIVERSION DRAIN MANHOLE
SCALE: N.T.S.



Prepared By:
kzla
Kyle Zick Landscape Architecture, Inc.
36 Bromfield Street Suite 202
Boston, MA 02108
617 451-1018 Tel
www.kylezick.com

No.	Date	Revision

Approved By: _____ Date: _____

Project Name: **Phase 5B: Franklin Park Pathways: Lower Circuit Drive and Scarborough Pond Area**

BPRD Project No.	PROJECT NO.
Date	2/21/2018
Scale	AS SHOWN
Drawn	YL
Checked	KZ

Sheet Name: **Details**

Scale: **LD-7**

