







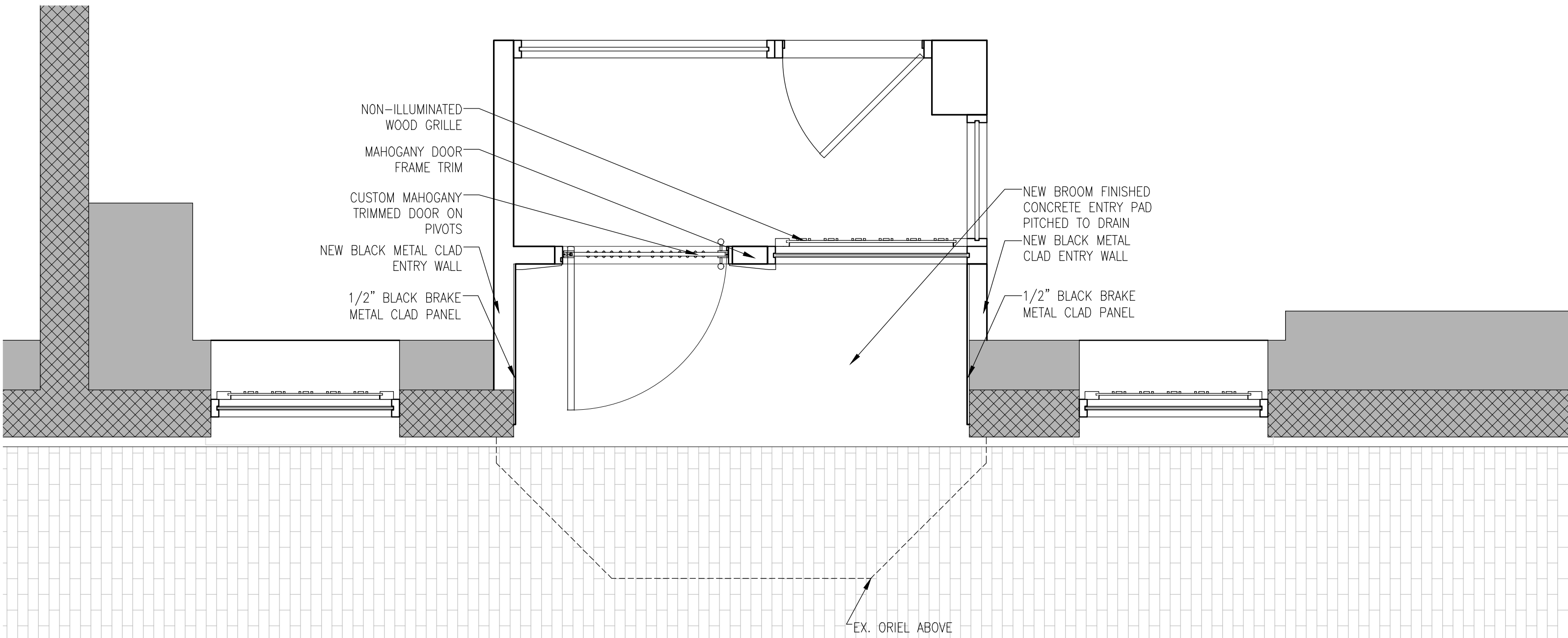


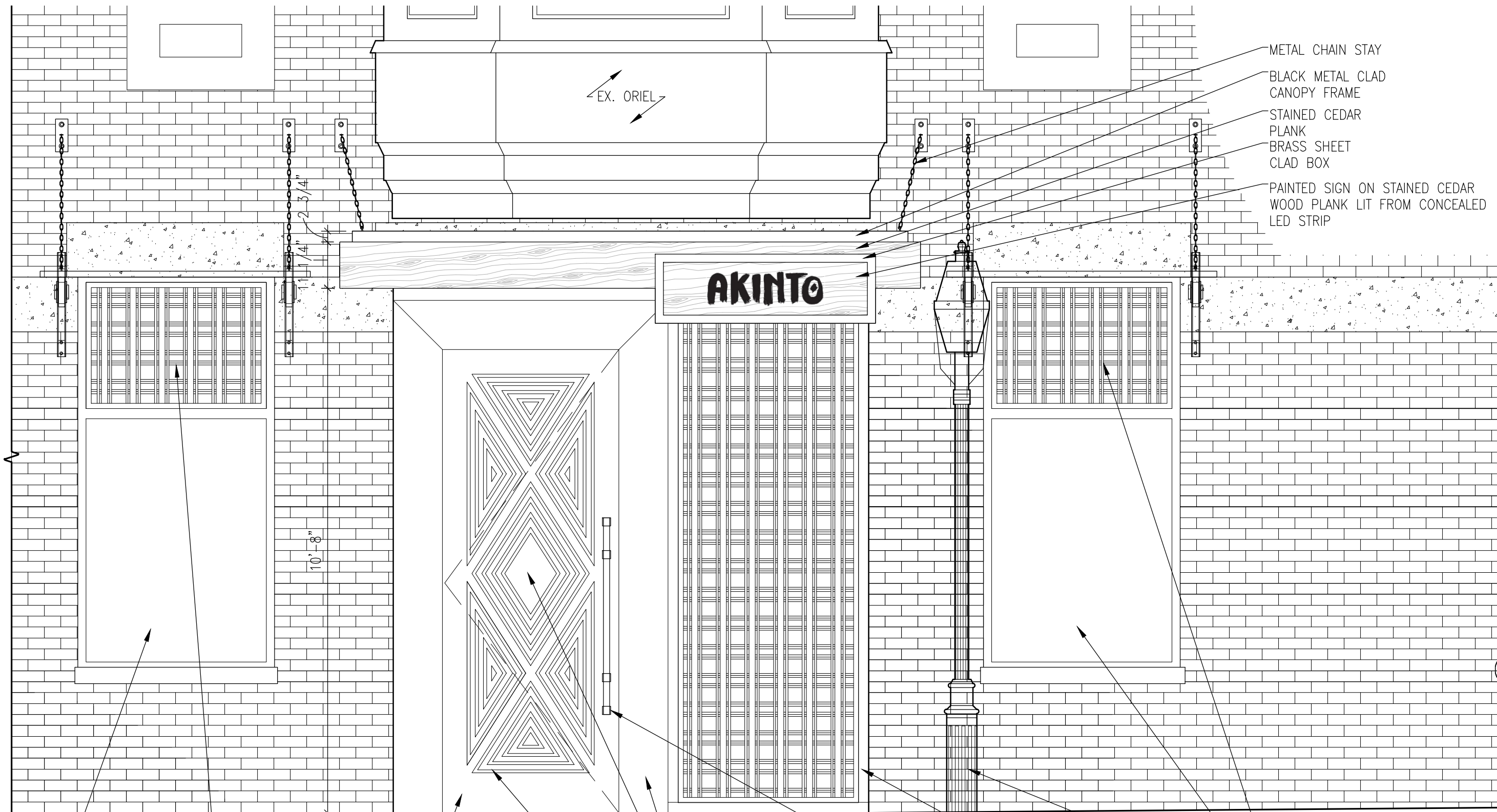
APPLETON ST.

NEW 6' TALL X 6" WIDE BLADE SIGN ON METAL STANDOFFS
RE-USE EXISTING POWER CIRCUIT, PAINT J-BOX AND CONDUIT BLACK

6'-0"
10'-6"







- METAL CHAIN STAY
- BLACK METAL CLAD CANOPY FRAME
- STAINED CEDAR PLANK
- BRASS SHEET CLAD BOX
- PAINTED SIGN ON STAINED CEDAR WOOD PLANK LIT FROM CONCEALED LED STRIP

E.X. I.G. GLASS IN EX. BLACK ALUMINUM STOREFRONT WINDOW

NEW PAINTED WOOD GRILLE BEHIND TRANSOM, LIT FROM BELOW BY CONCEALED LED STRIP

PAINTED WOOD DOOR PANEL

MAHOGONY ASTRAGAL TRIM

MAHOGONY DOOR FRAME TRIM

BRASS PLAQUE

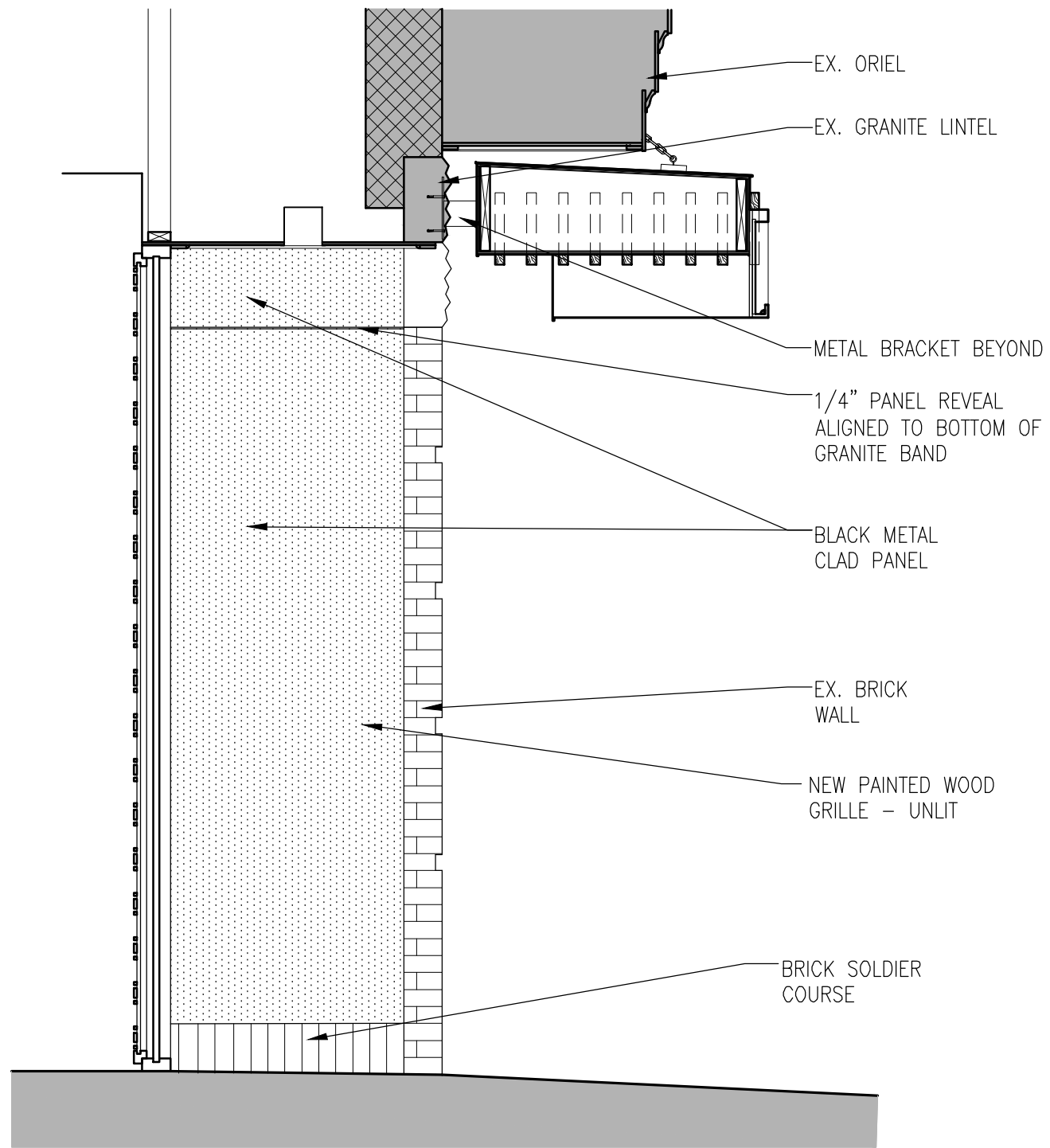
BRASS ACCENT DOOR PULL

BLACK ALUMINUM STOREFRONT WINDOW

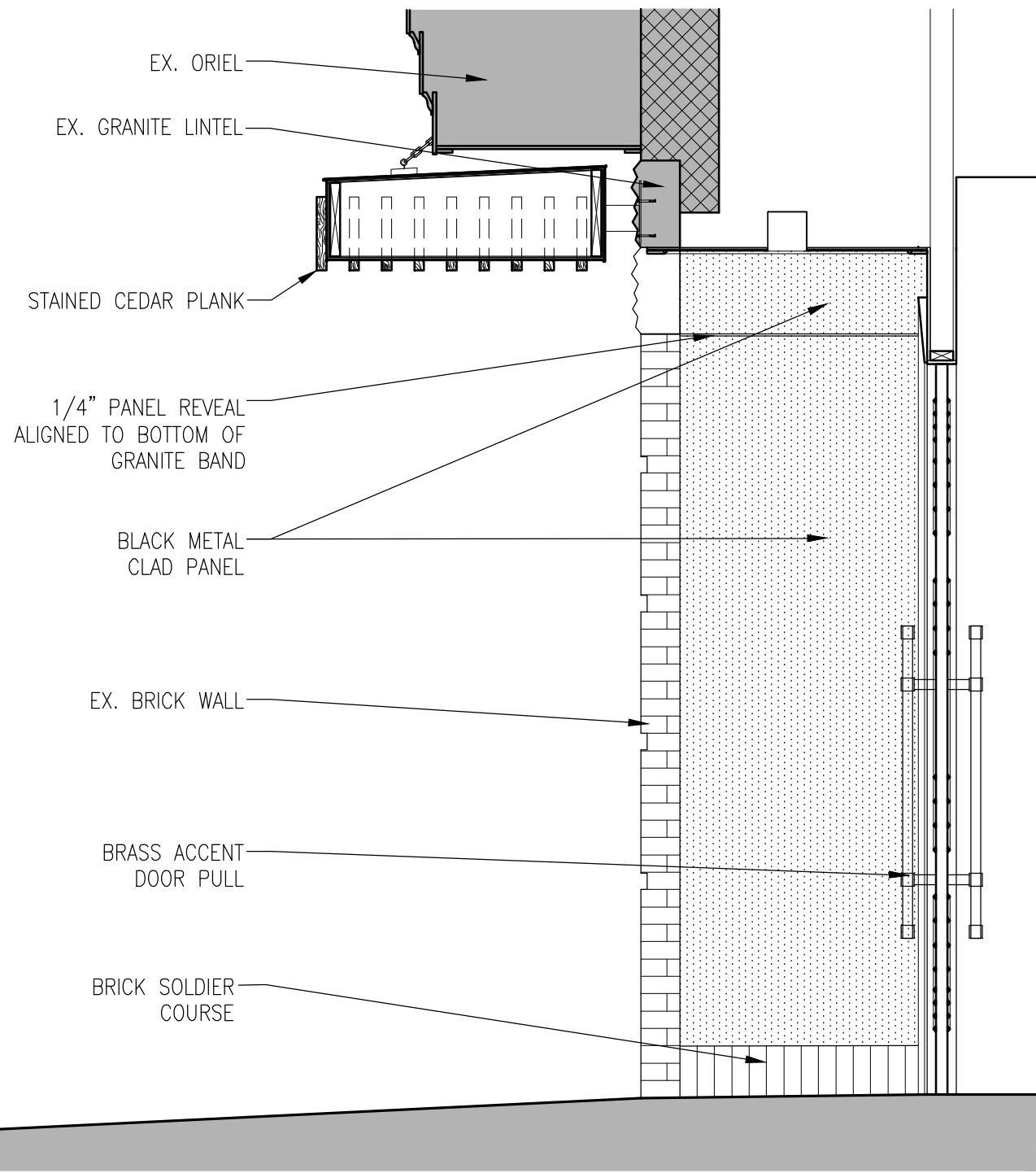
EX. STREET LAMP

NEW PAINTED WOOD GRILLE BEHIND TRANSOM, LIT FROM BELOW BY CONCEALED LED STRIP

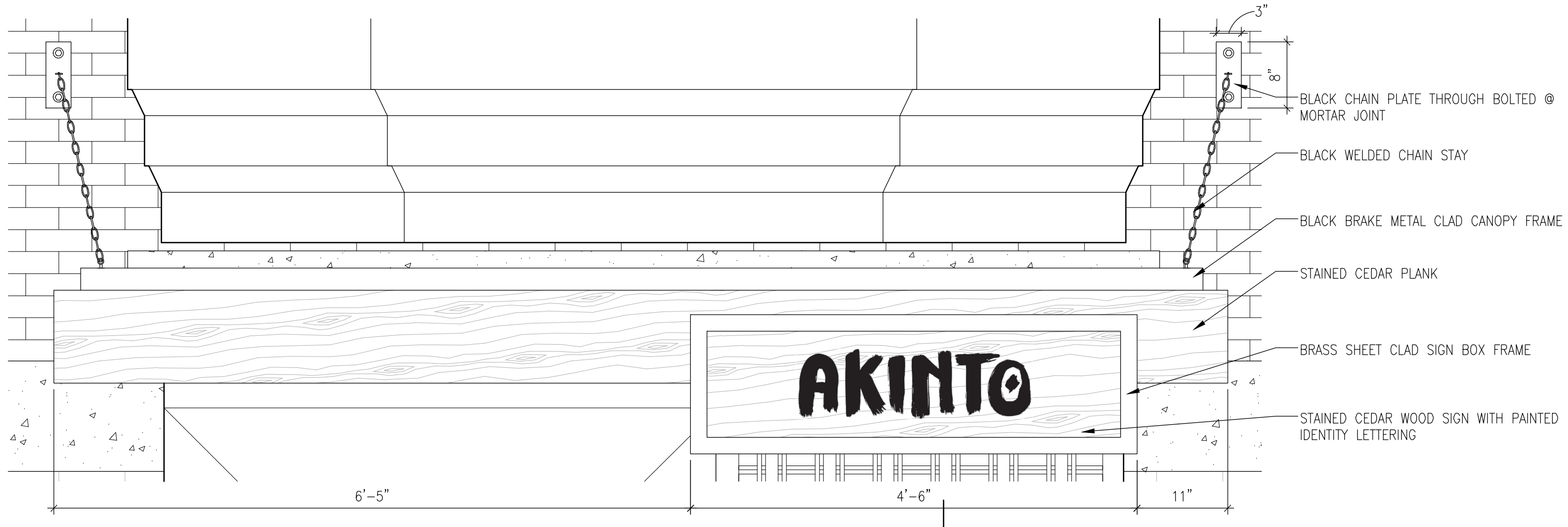
E.X. I.G. GLASS IN EX. BLACK ALUMINUM STOREFRONT WINDOW

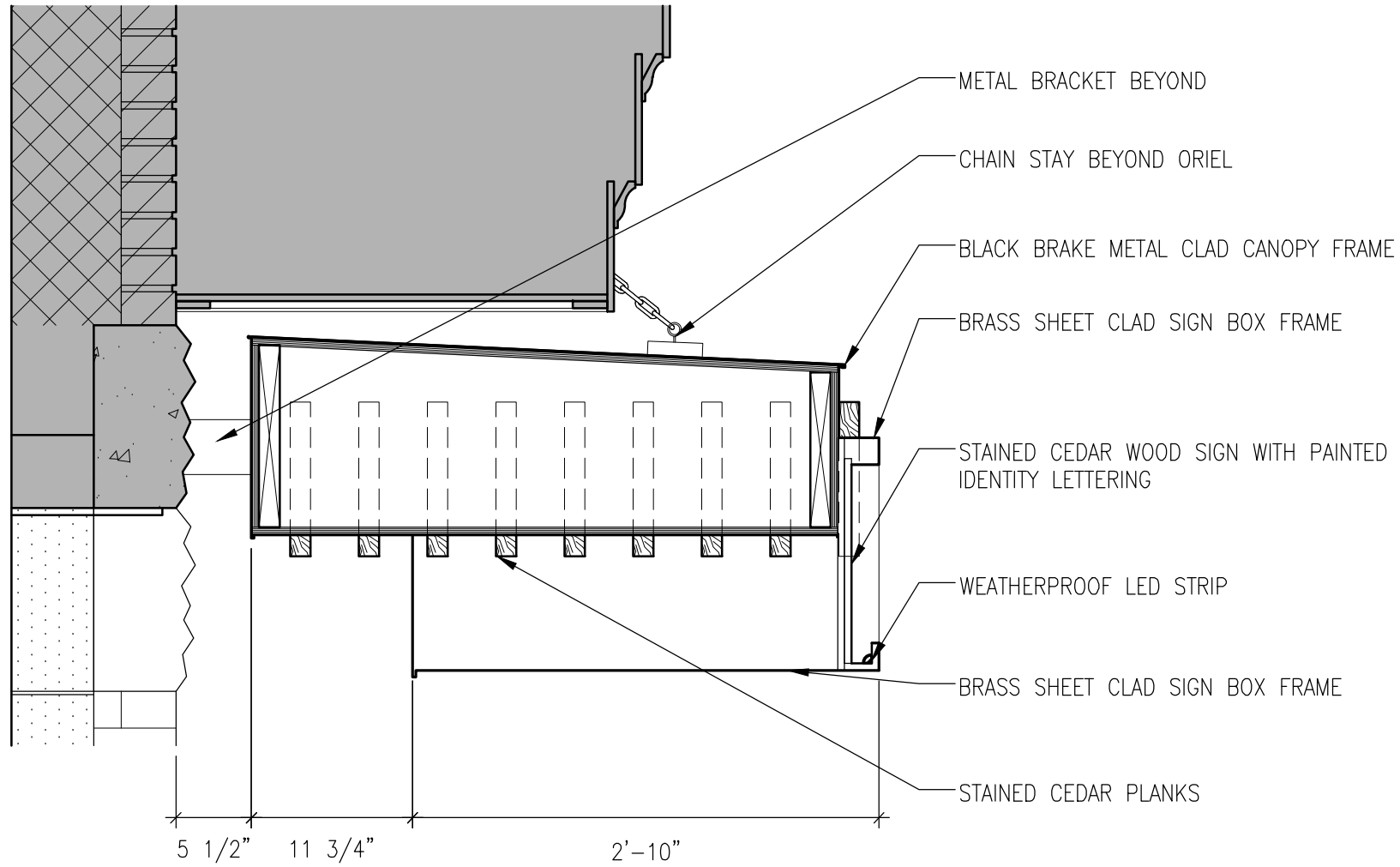


ENLARGED SECTION @ ENTRY LOOKING EAST

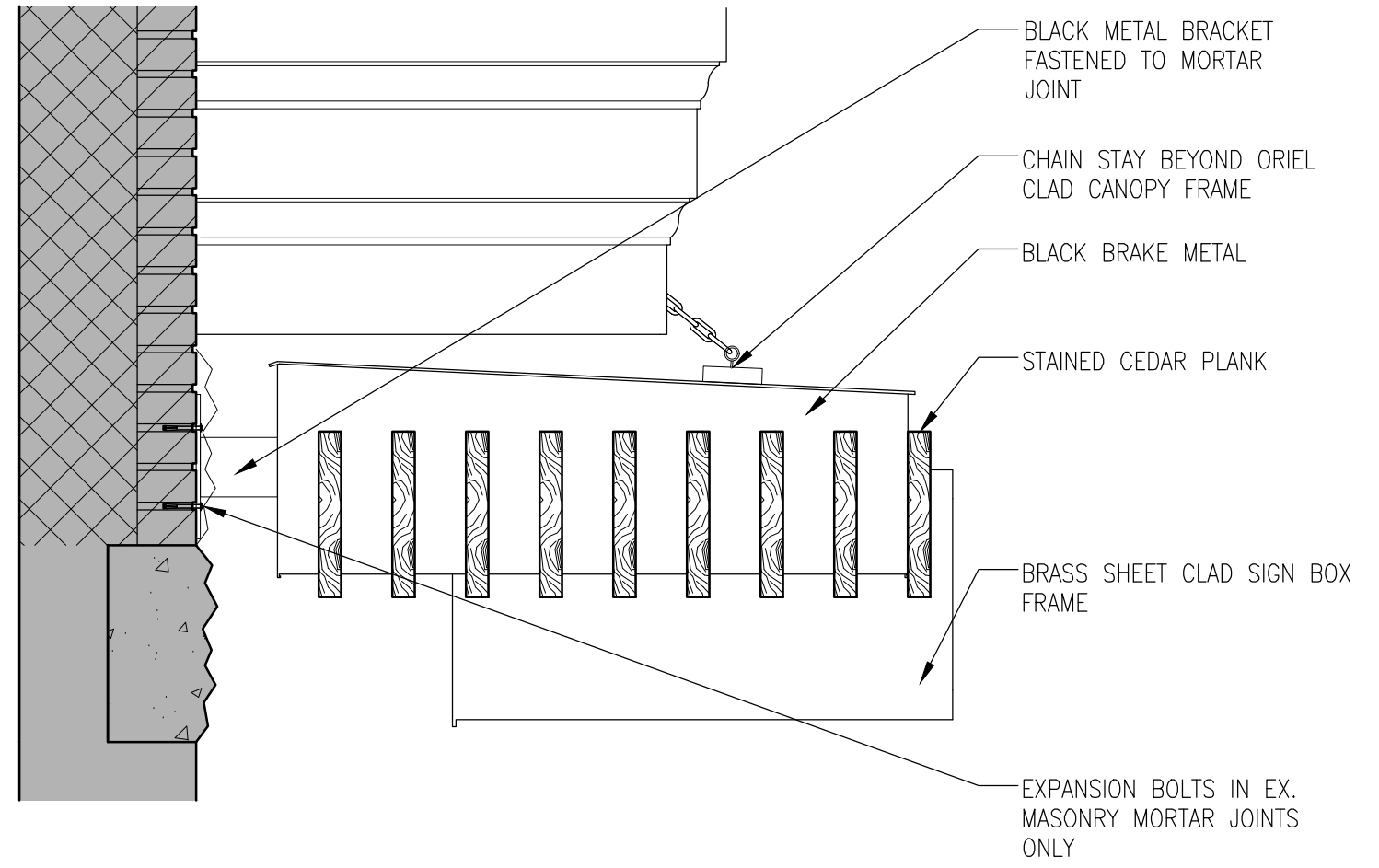


ENLARGED SECTION @ ENTRY LOOKING WEST

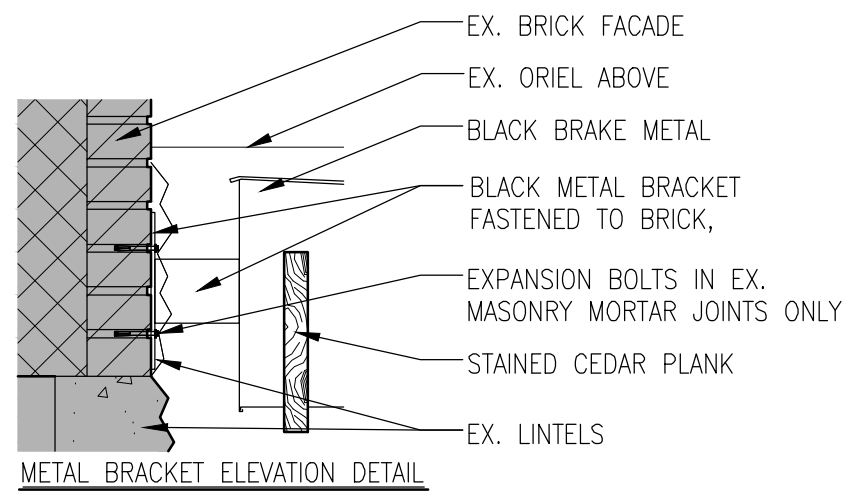
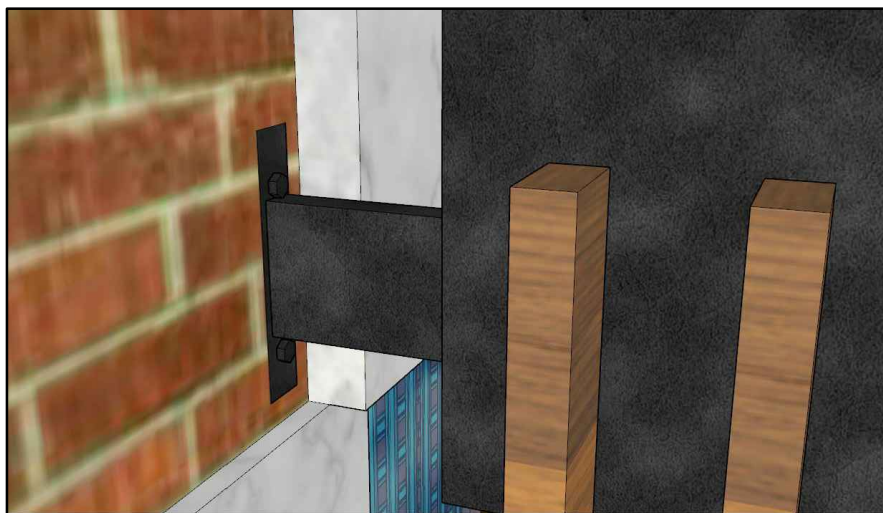




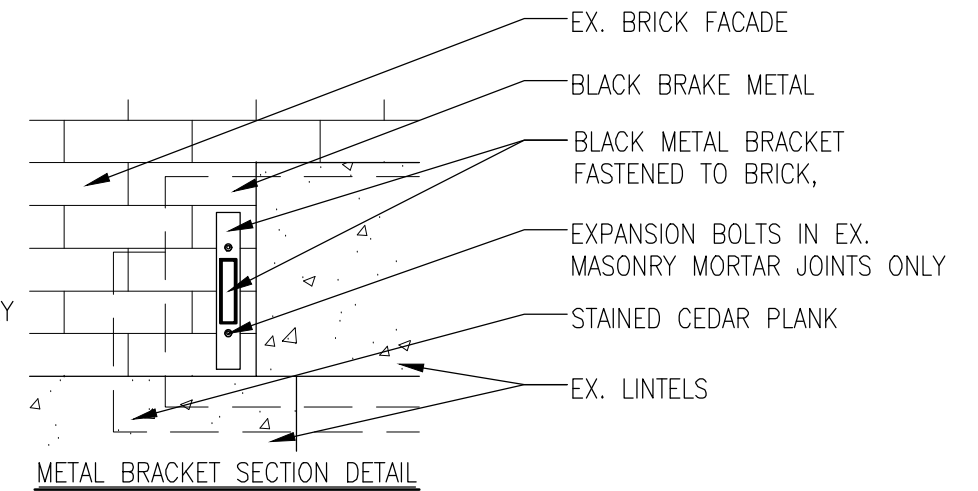
ENTRY CANOPY SECTION @ IDENTITY SIGN BOX



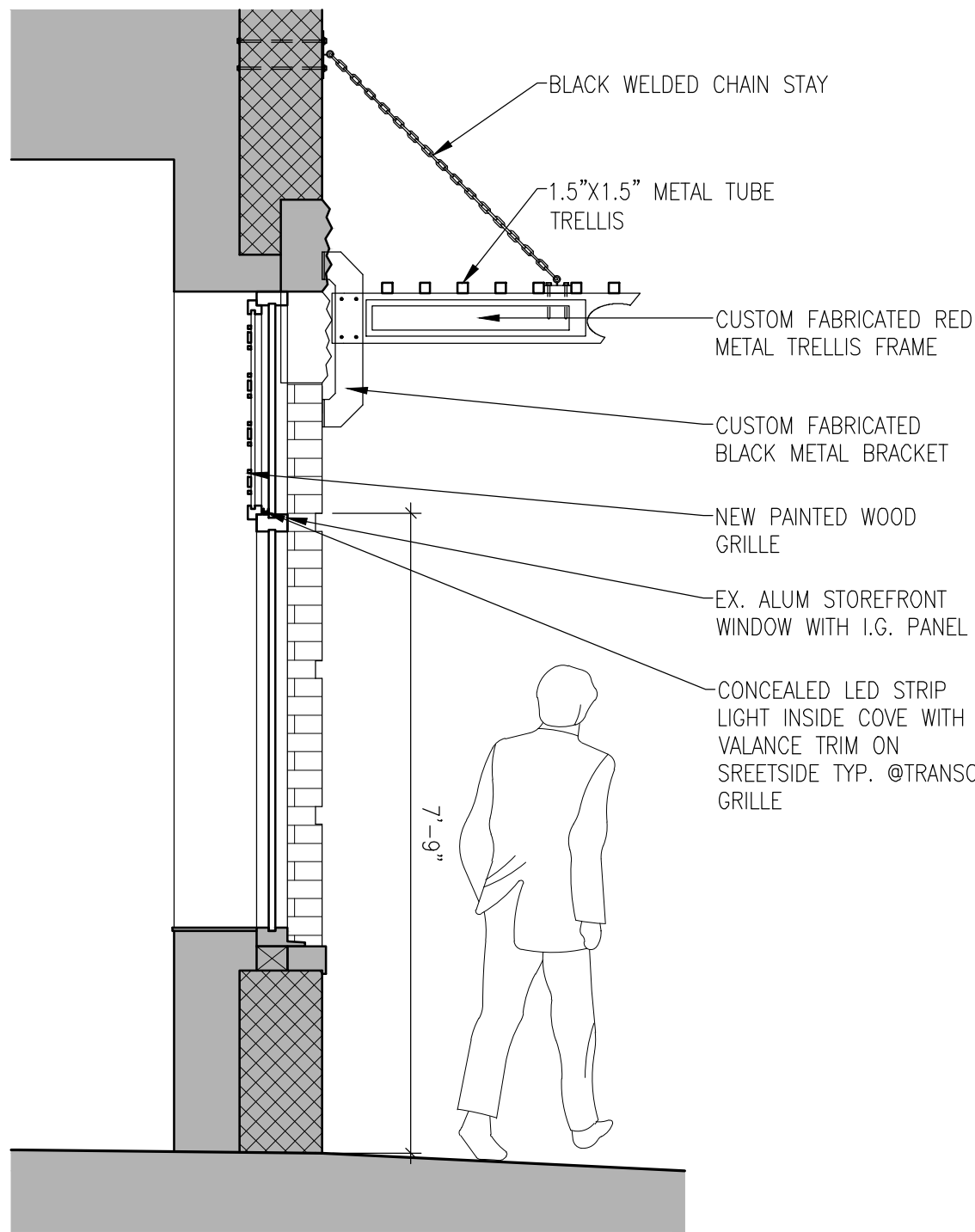
ENTRY CANOPY END ELEVATION



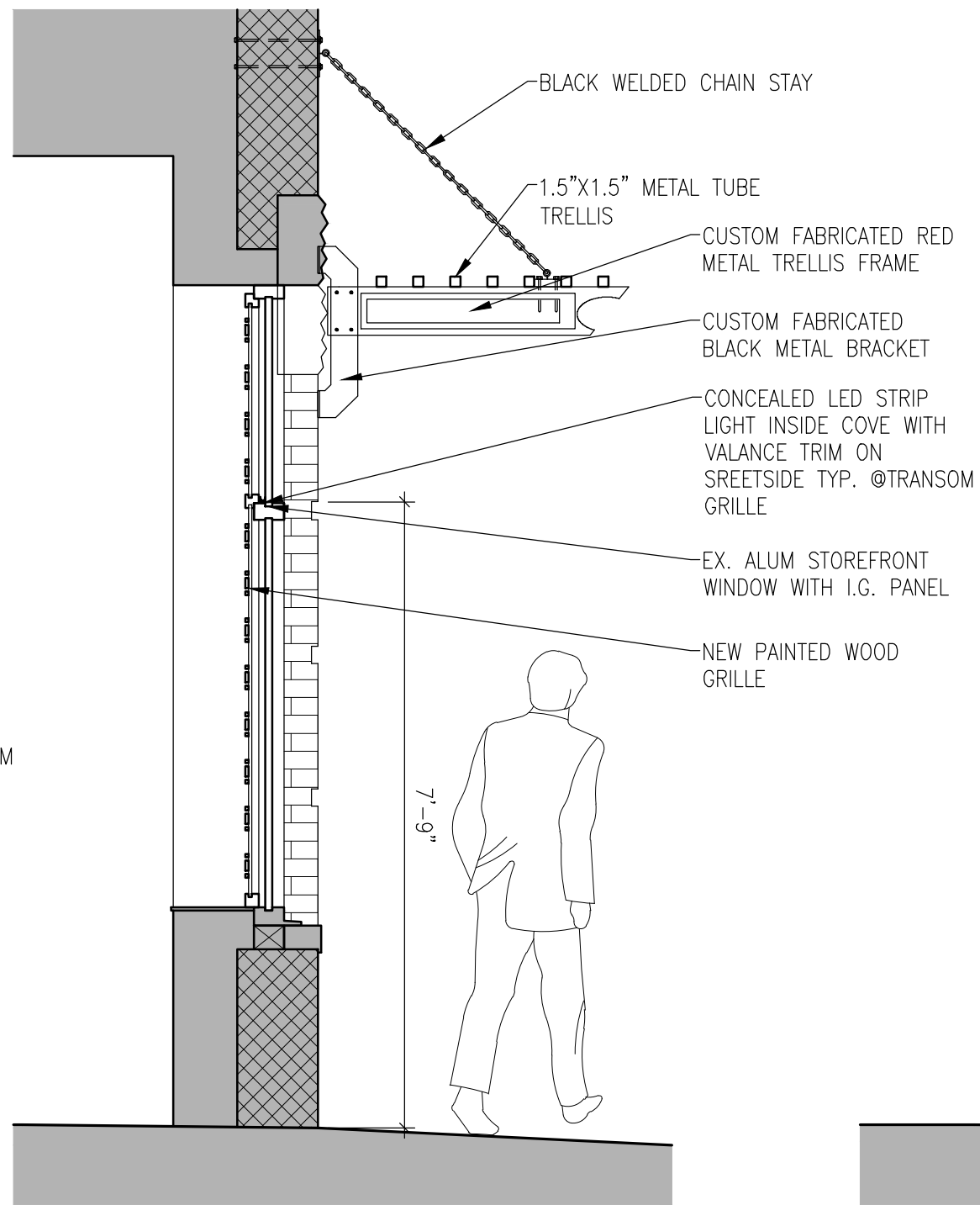
METAL BRACKET ELEVATION DETAIL



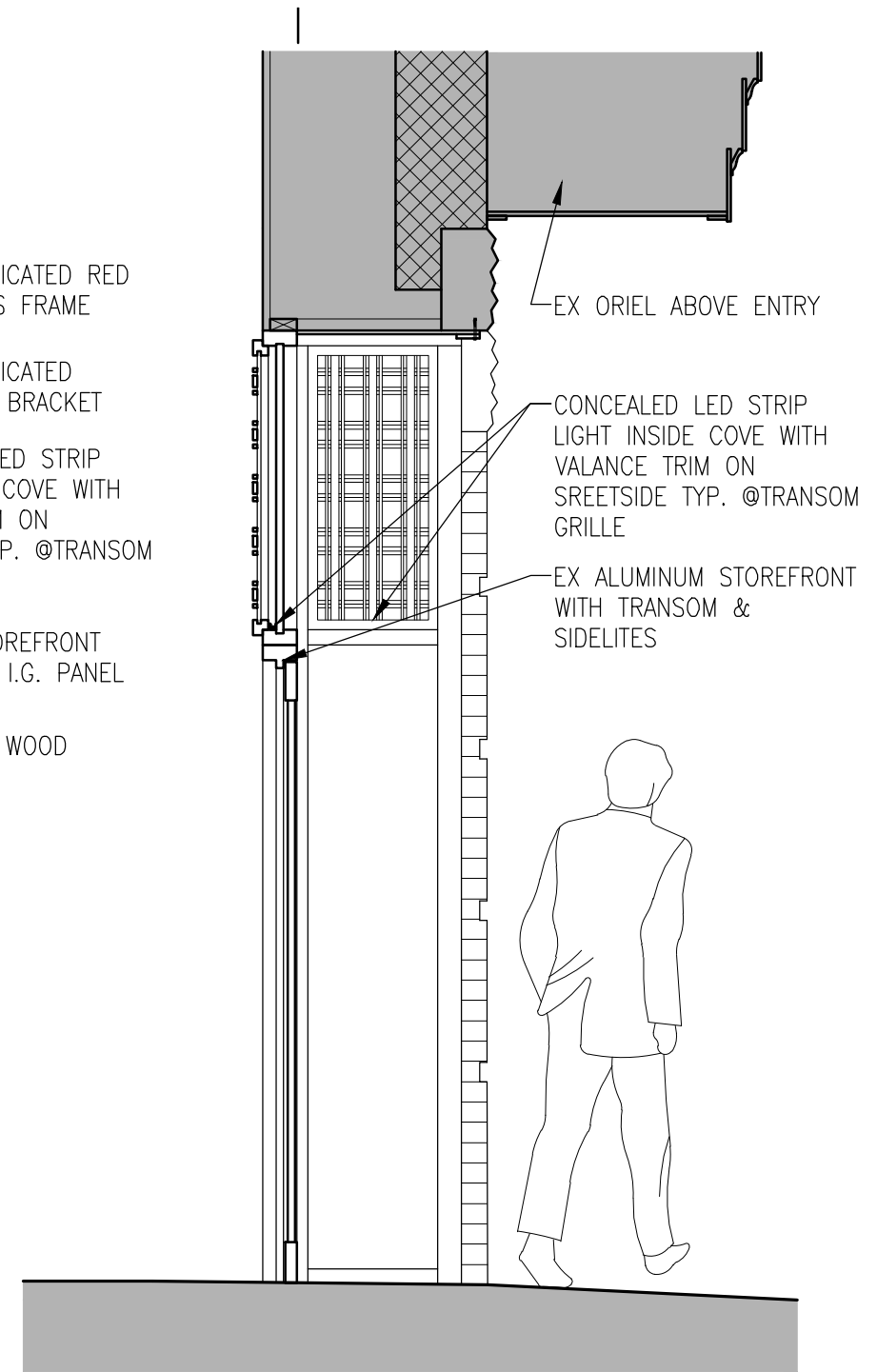
METAL BRACKET SECTION DETAIL



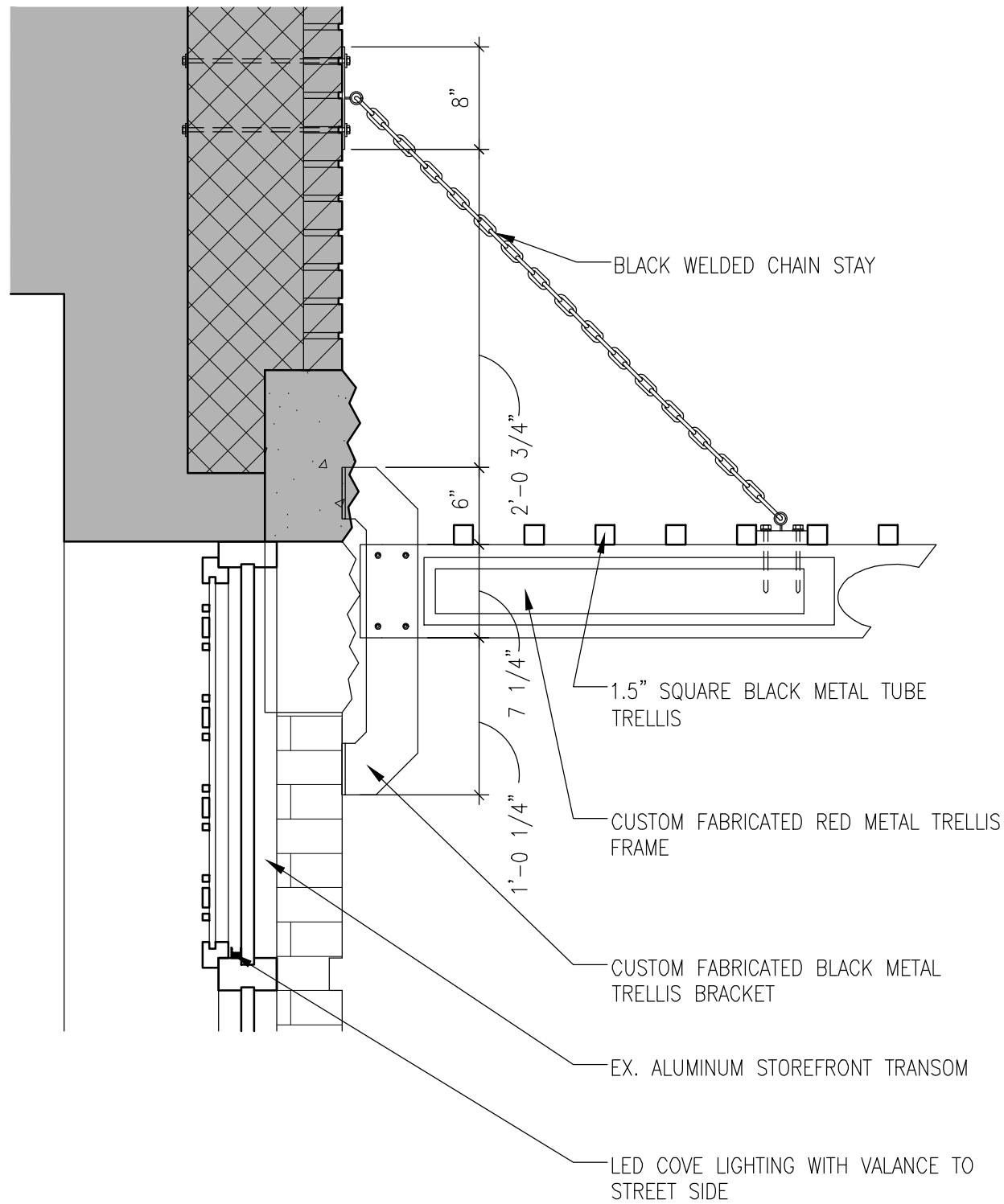
ENLARGED SECTION @ TYP. WOOD GRILL @ TRANSOM



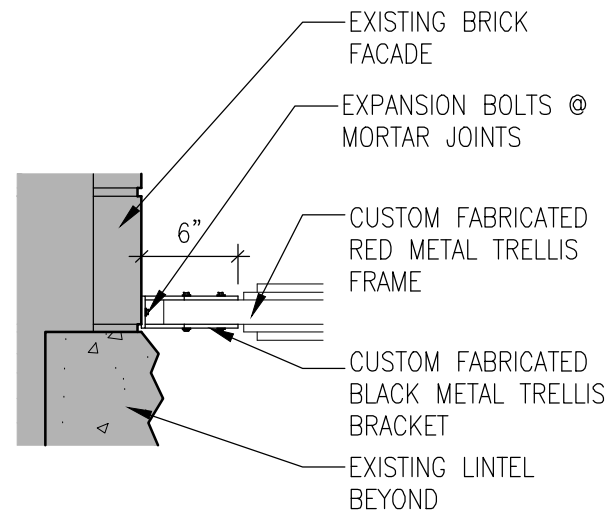
ENLARGED SECTION @ LARGE WOOD GRILL



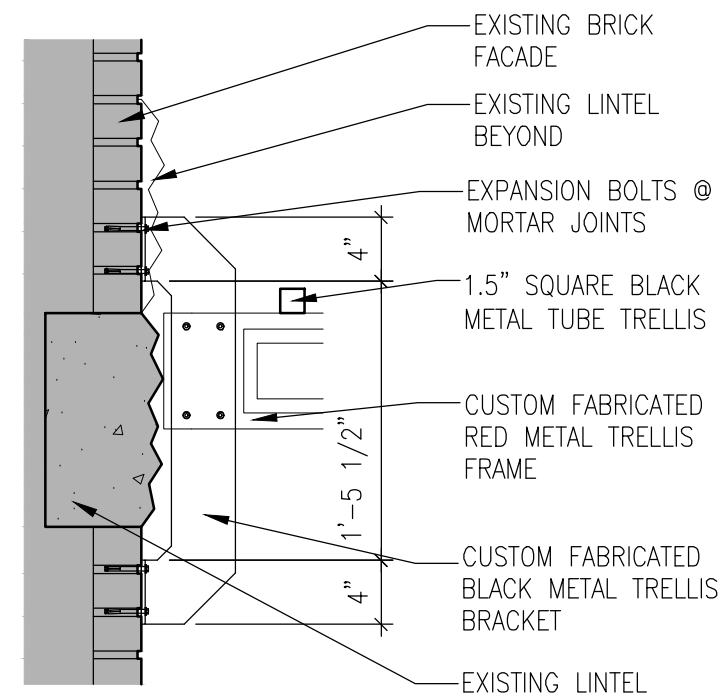
ENLARGED SECTION @ PATIO ENTRY LOOKING EAST



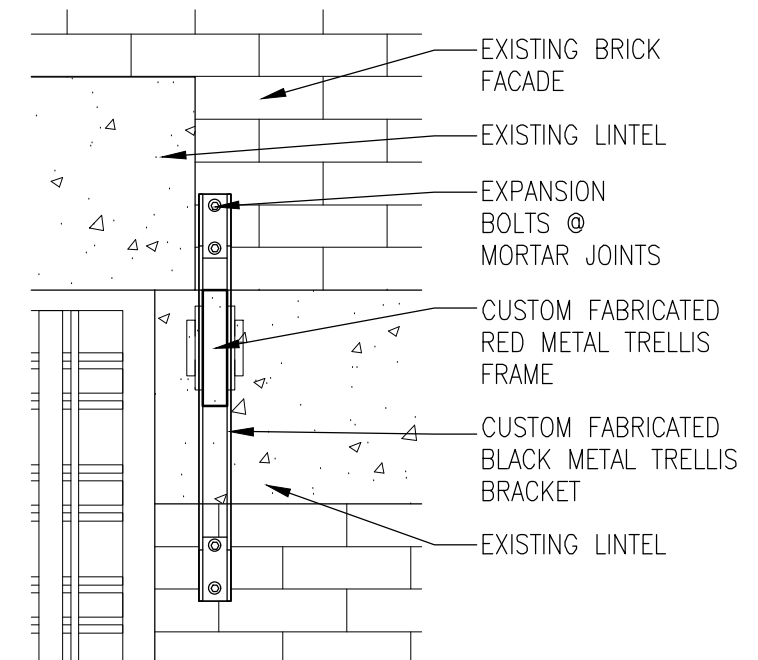
METAL TRELLIS SECTION



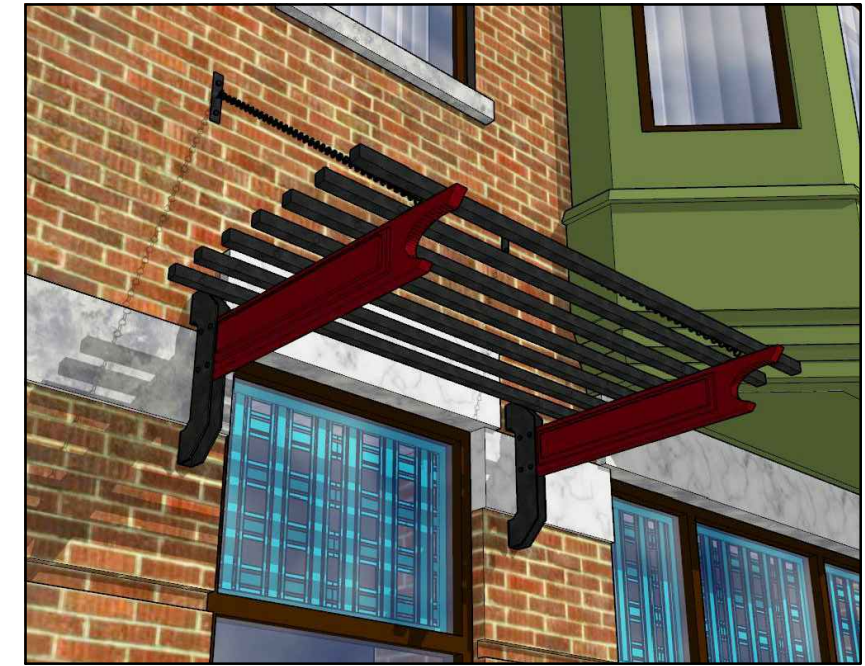
CUSTOM METAL BRACKET PLAN DETAIL

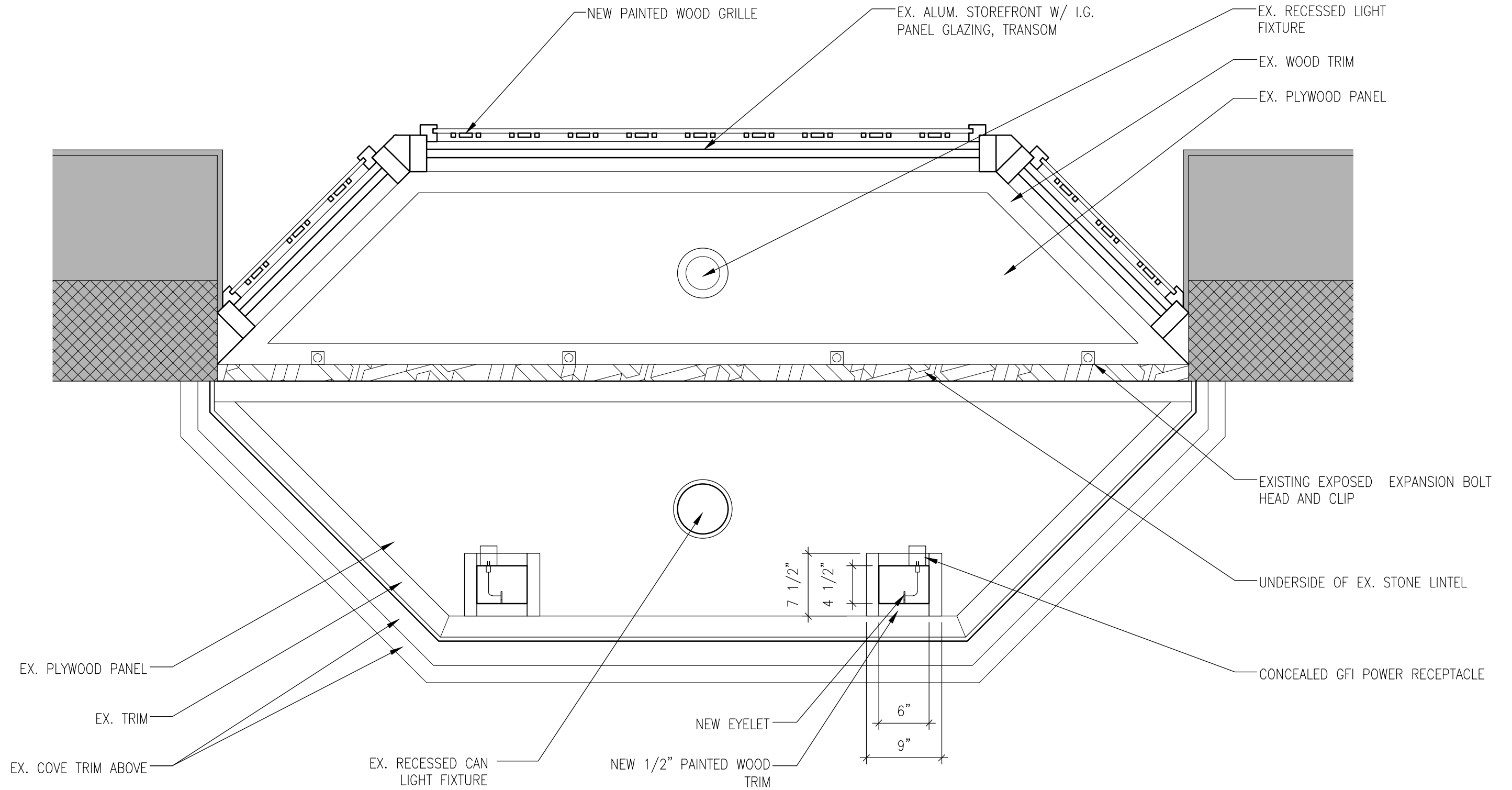


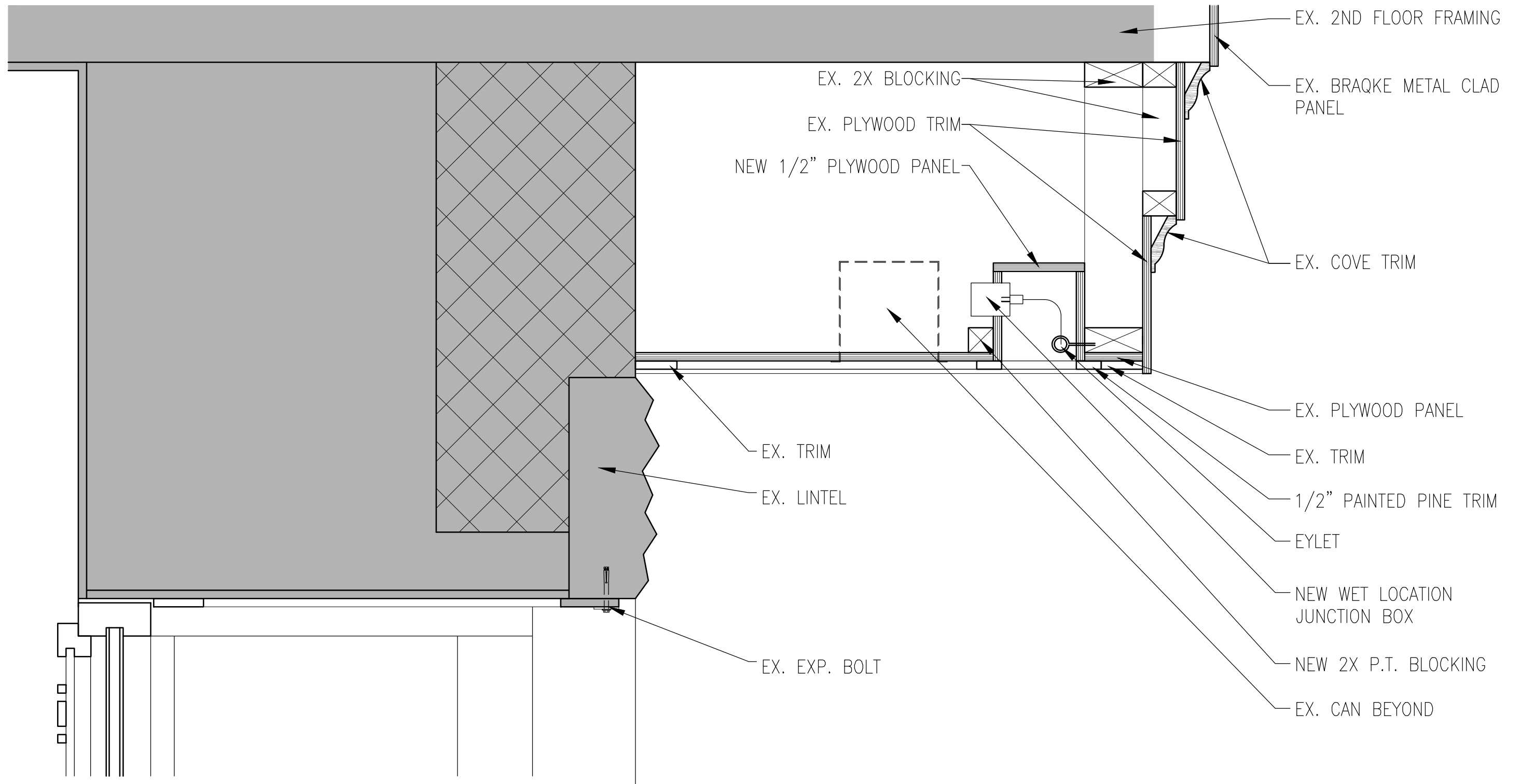
CUSTOM METAL BRACKET ELEVATION DETAIL

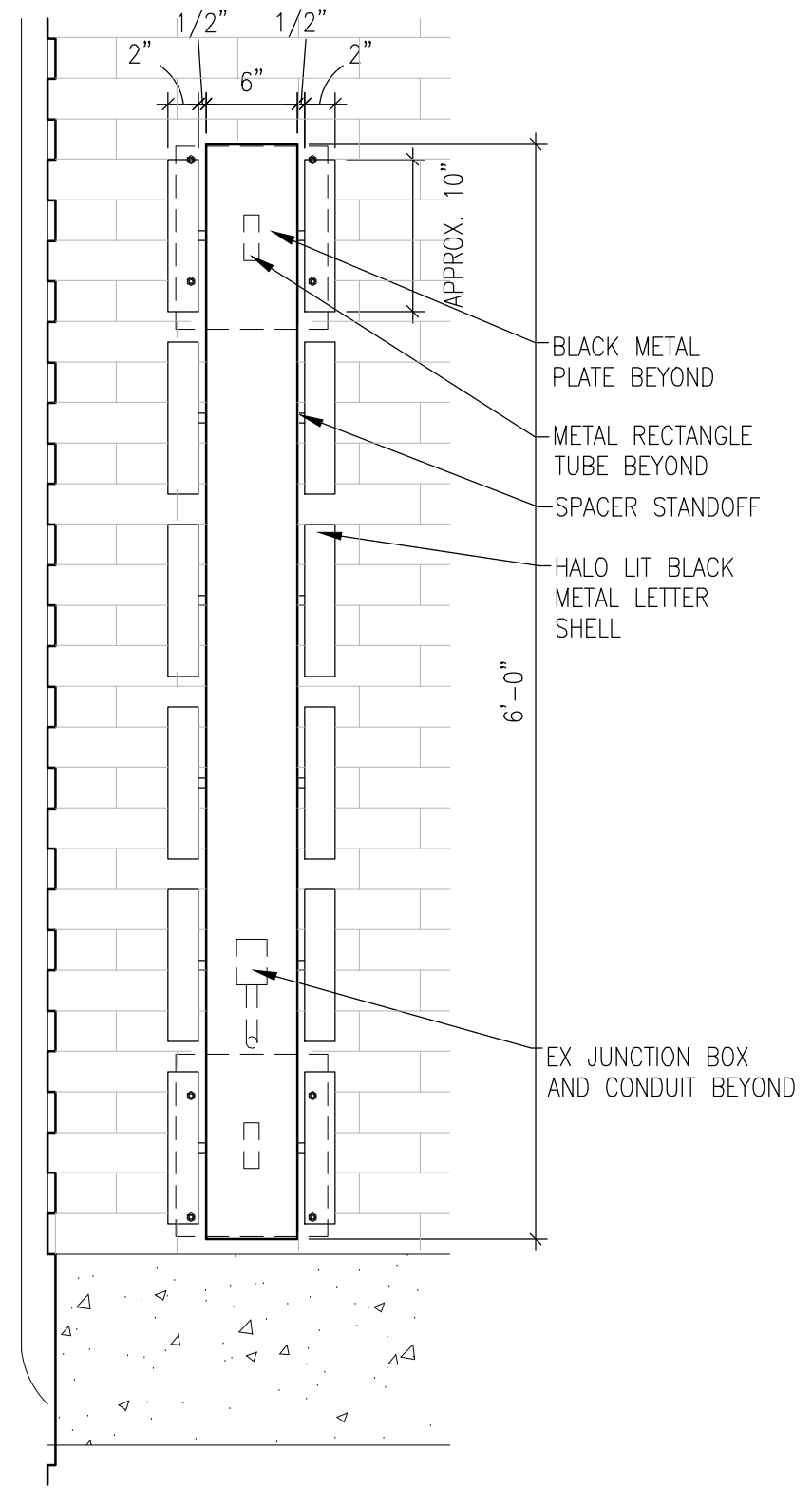
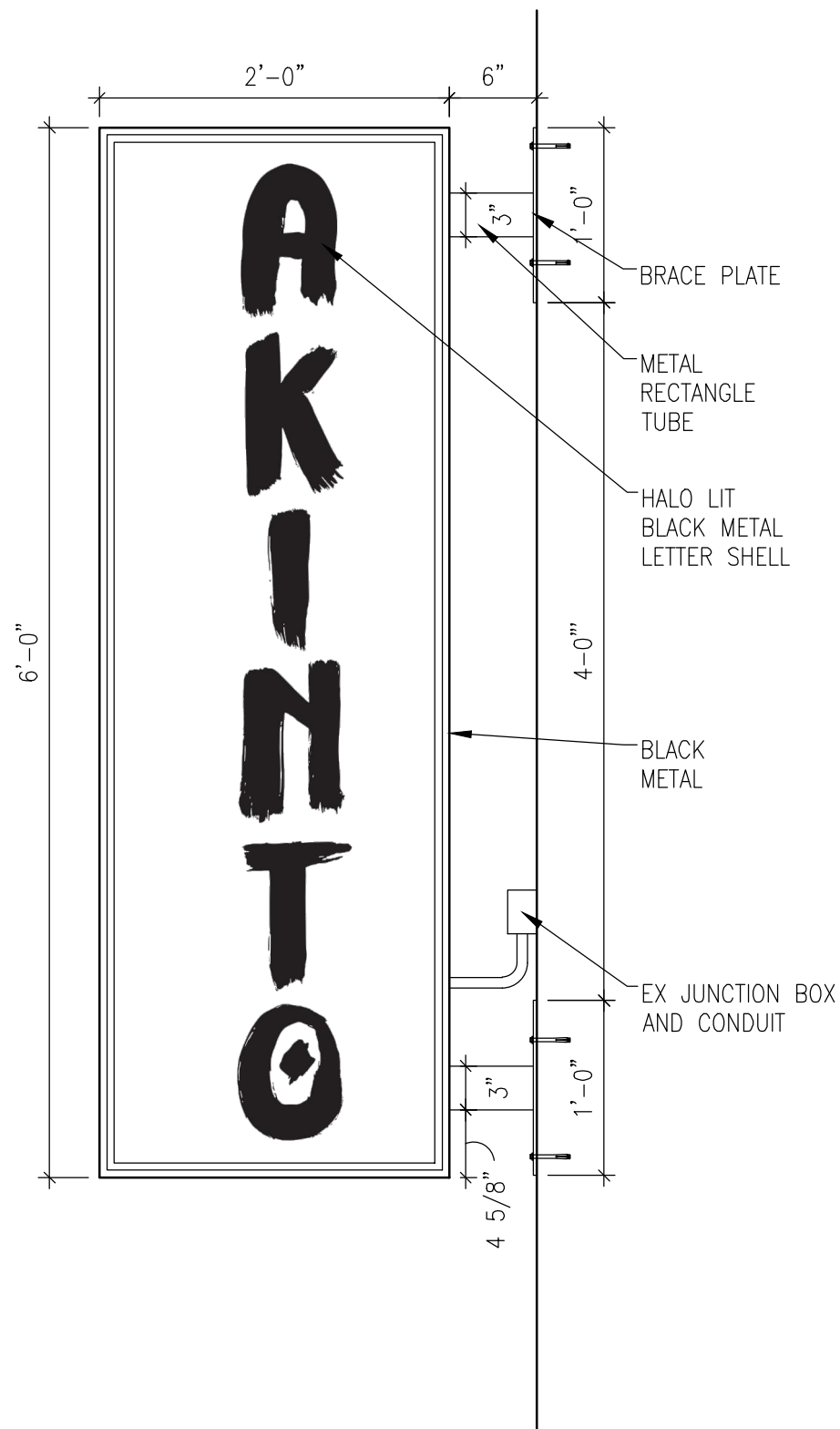
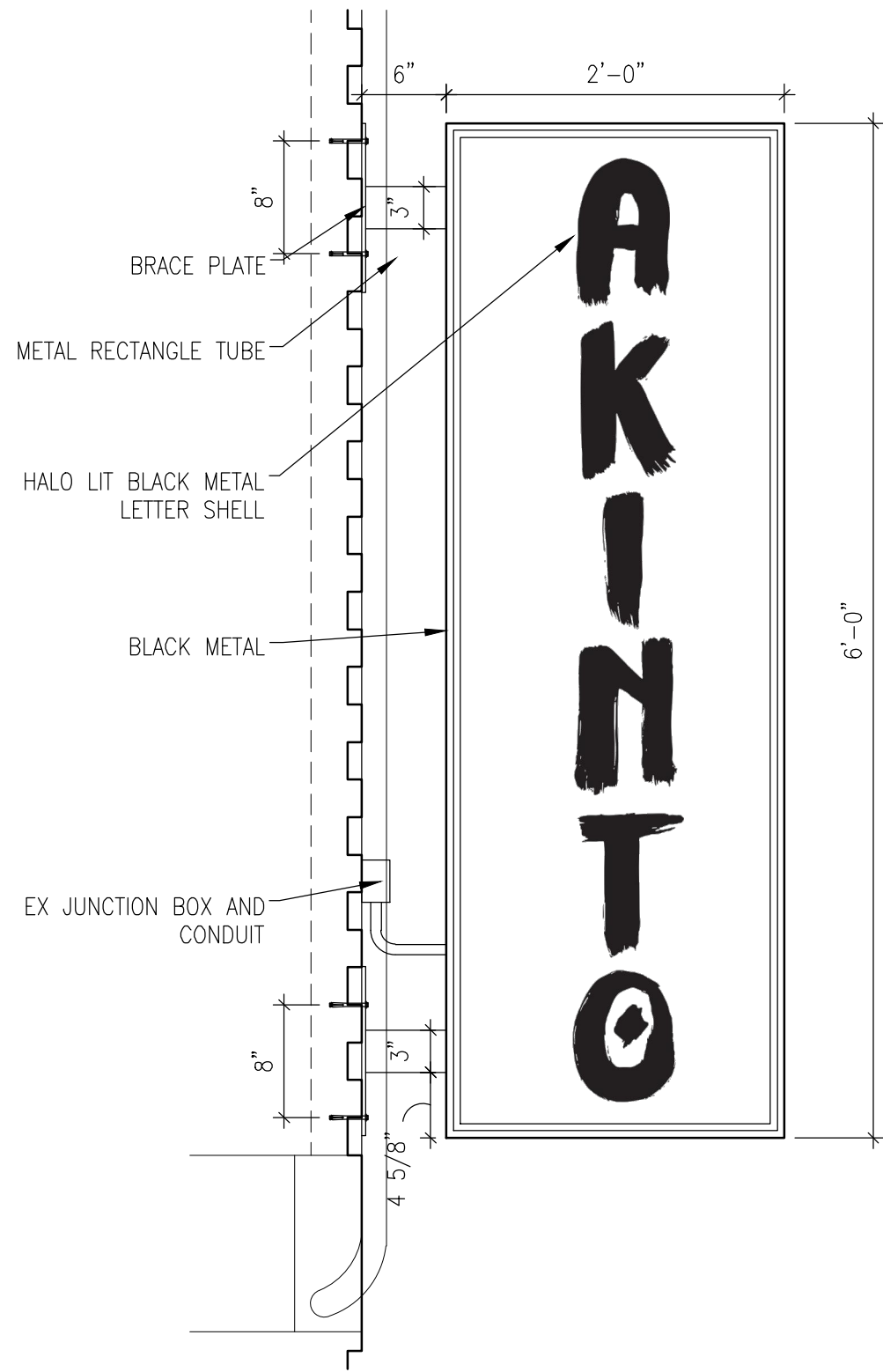


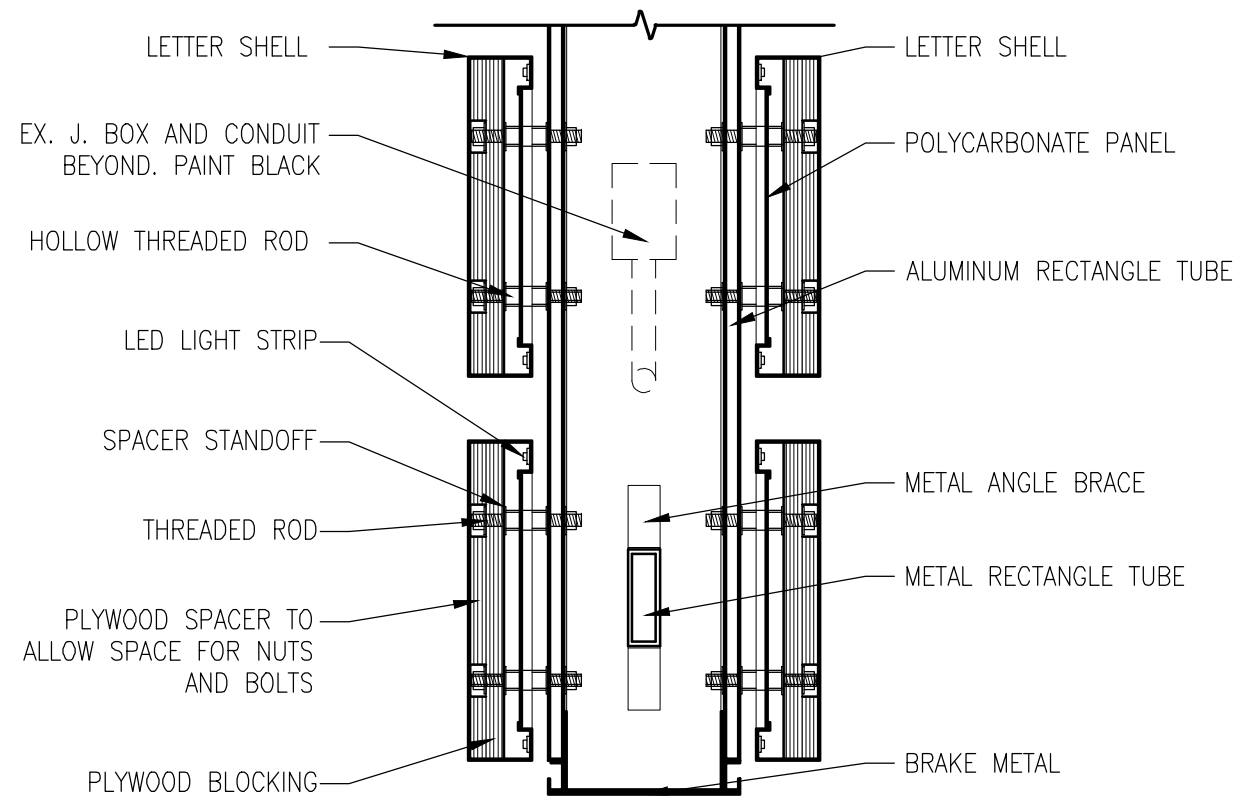
CUSTOM METAL BRACKET SECTION DETAIL



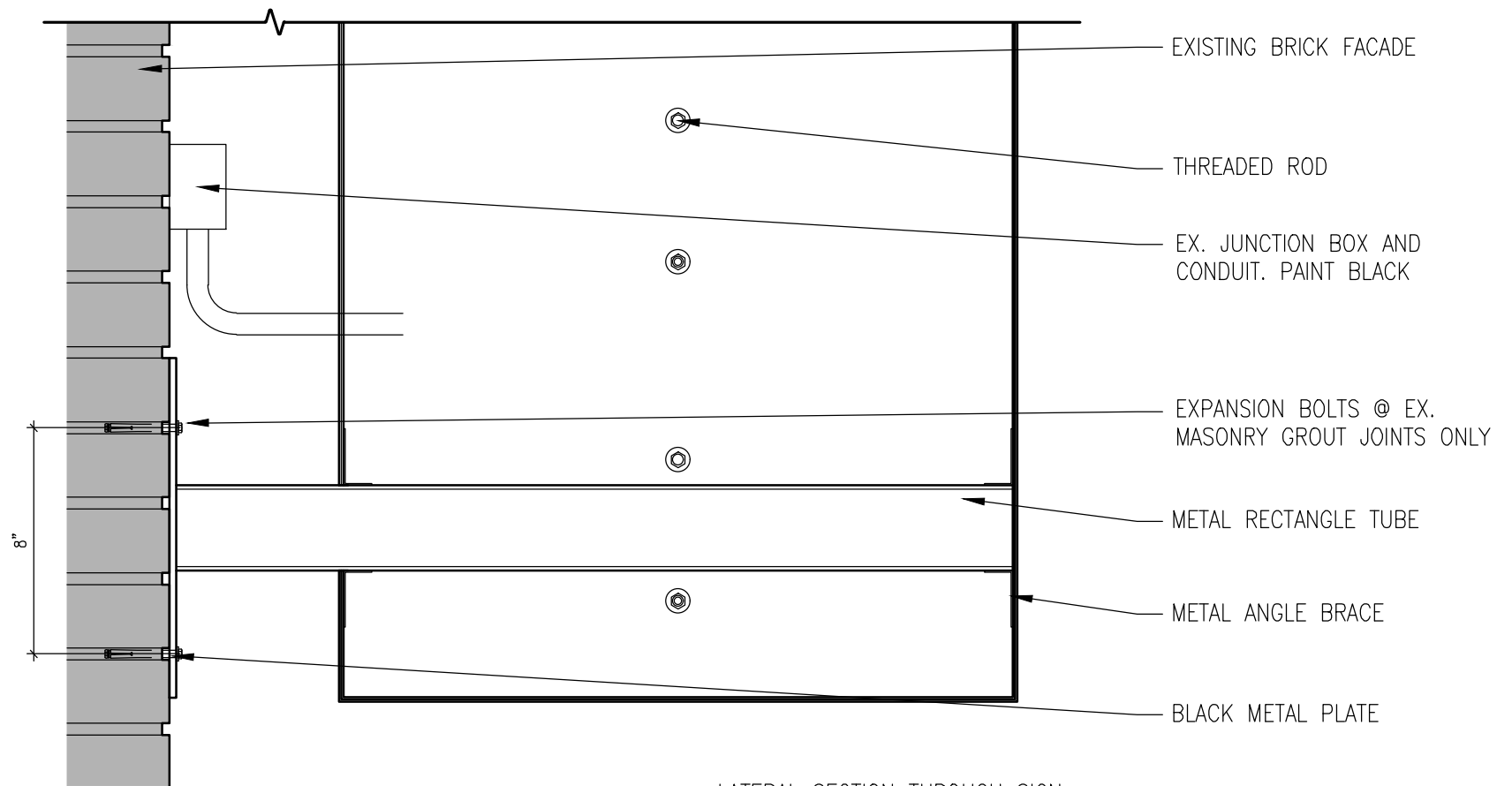




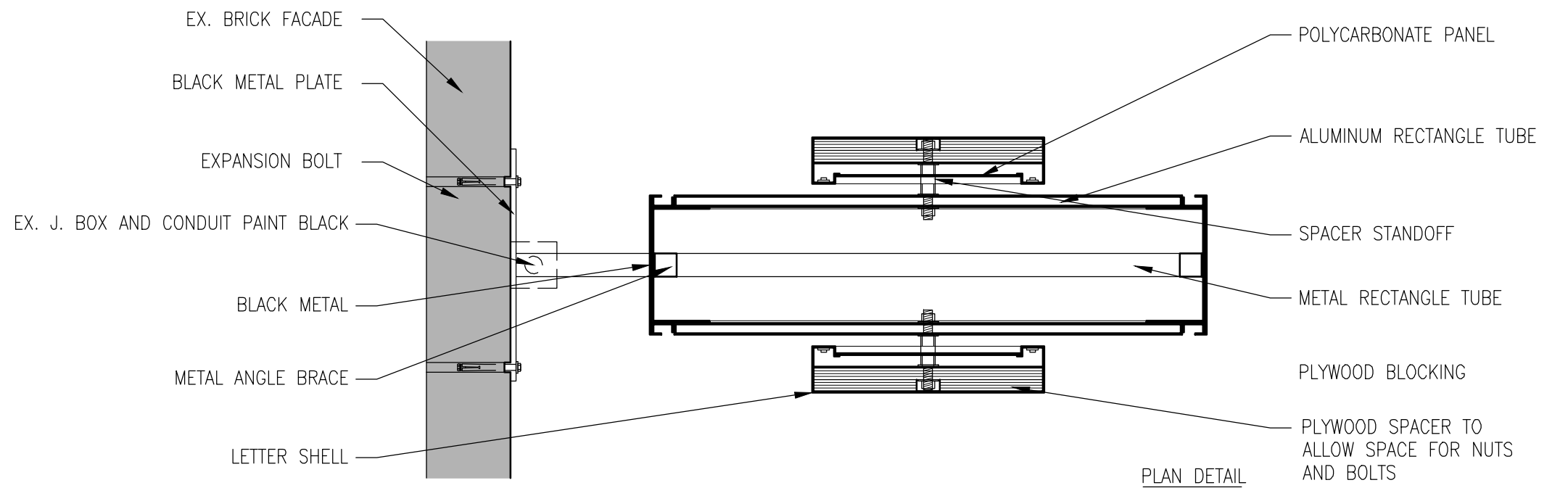




VERTICAL SECTION THROUGH SIGN



LATERAL SECTION THROUGH SIGN

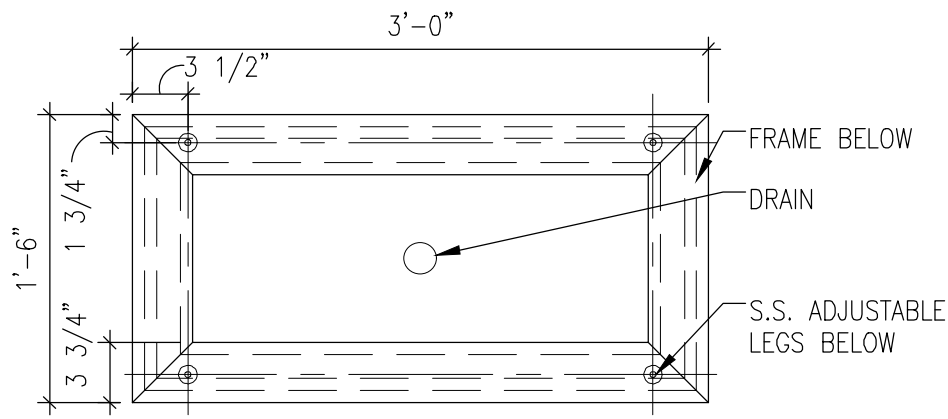


PLAN DETAIL

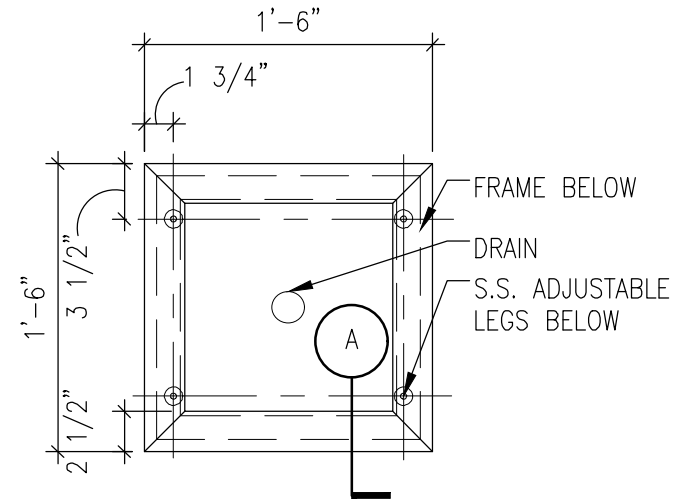
AKINTO
1 APPLETON STREET

SCALE: 1"=6"

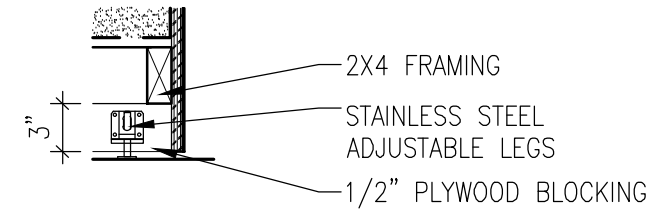




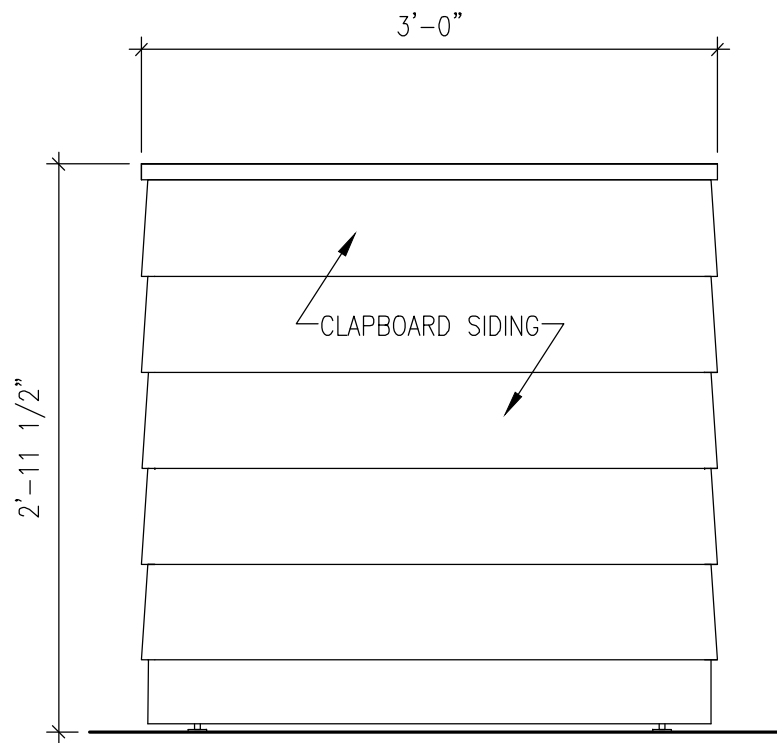
PLANTER 1 PLAN



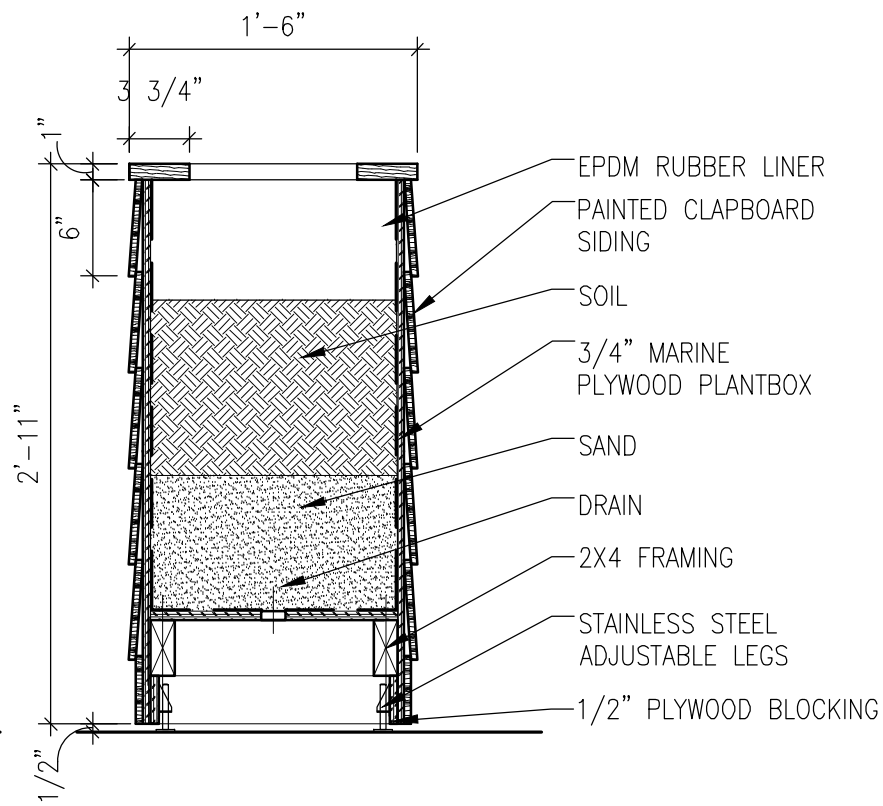
PLANTER 2 PLAN



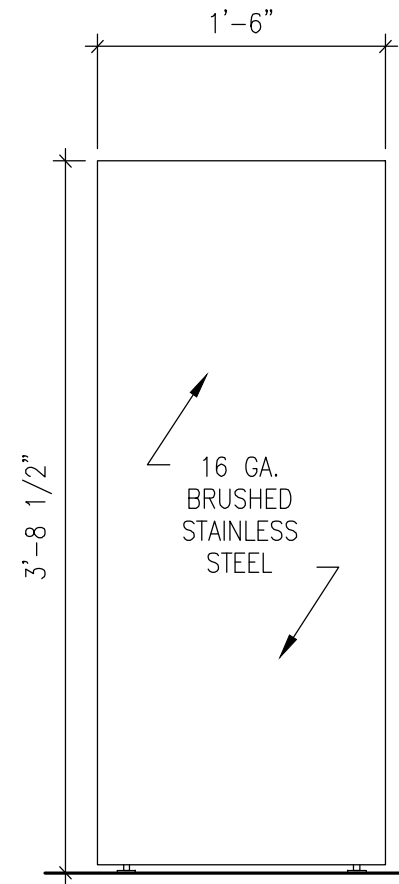
DETAIL A



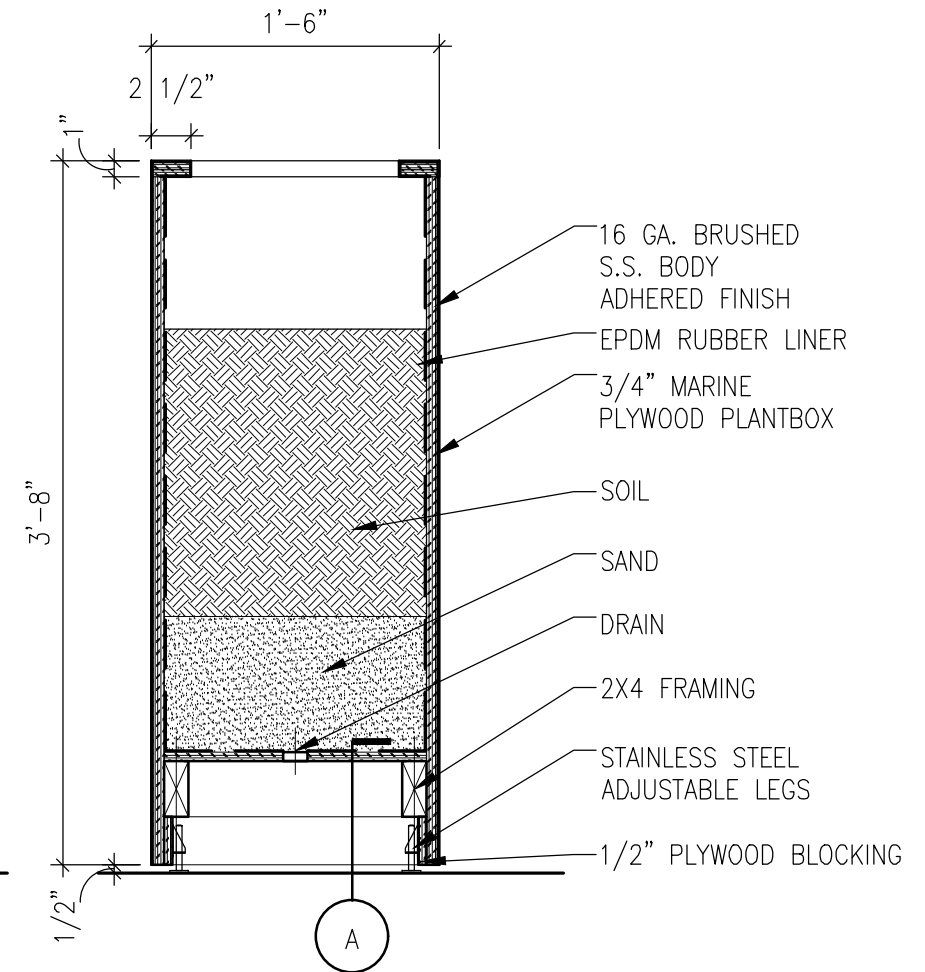
PLANTER 1 ELEVATION



PLANTER 1 SECTION



PLANTER 2 ELEVATION



PLANTER 2 SECTION

