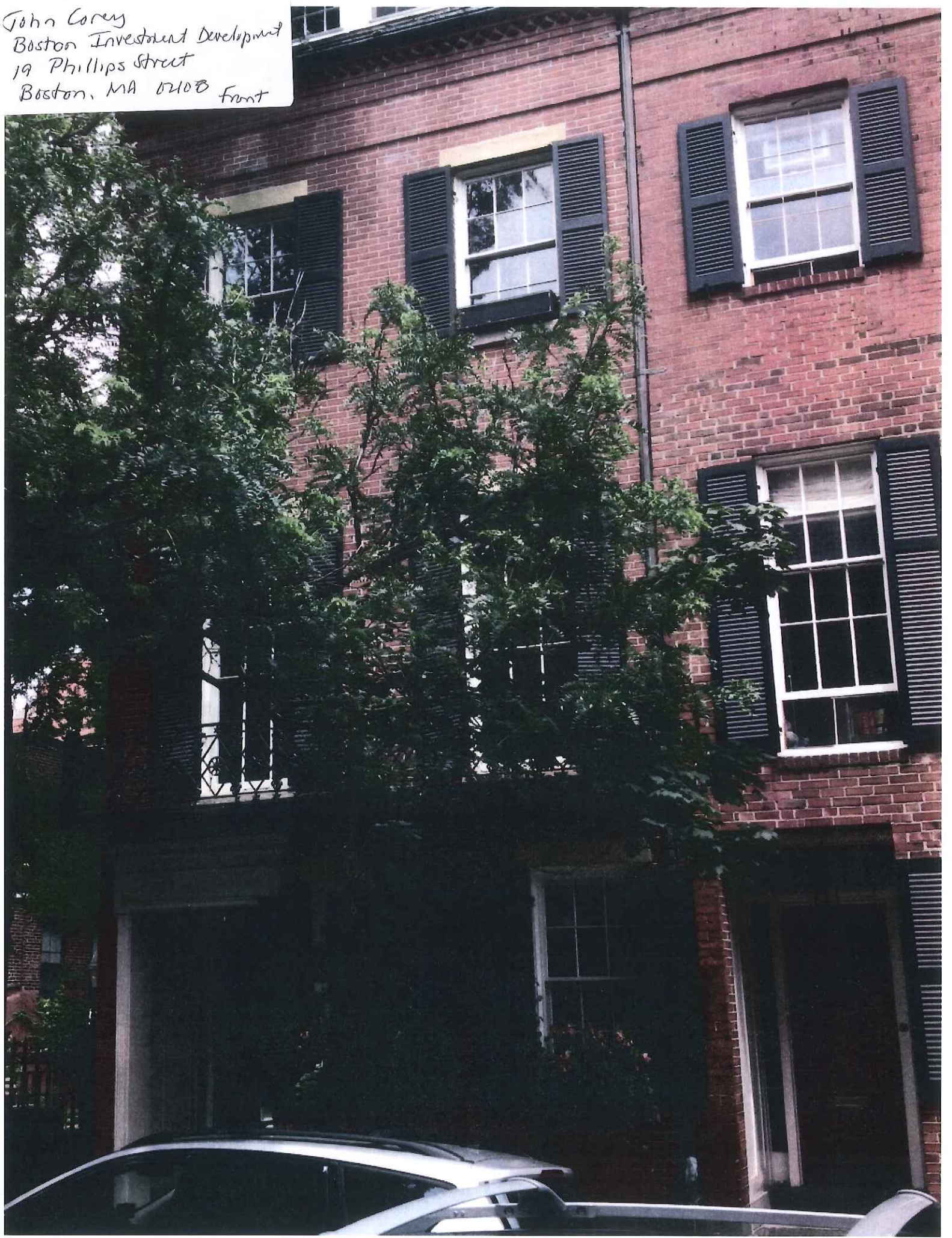


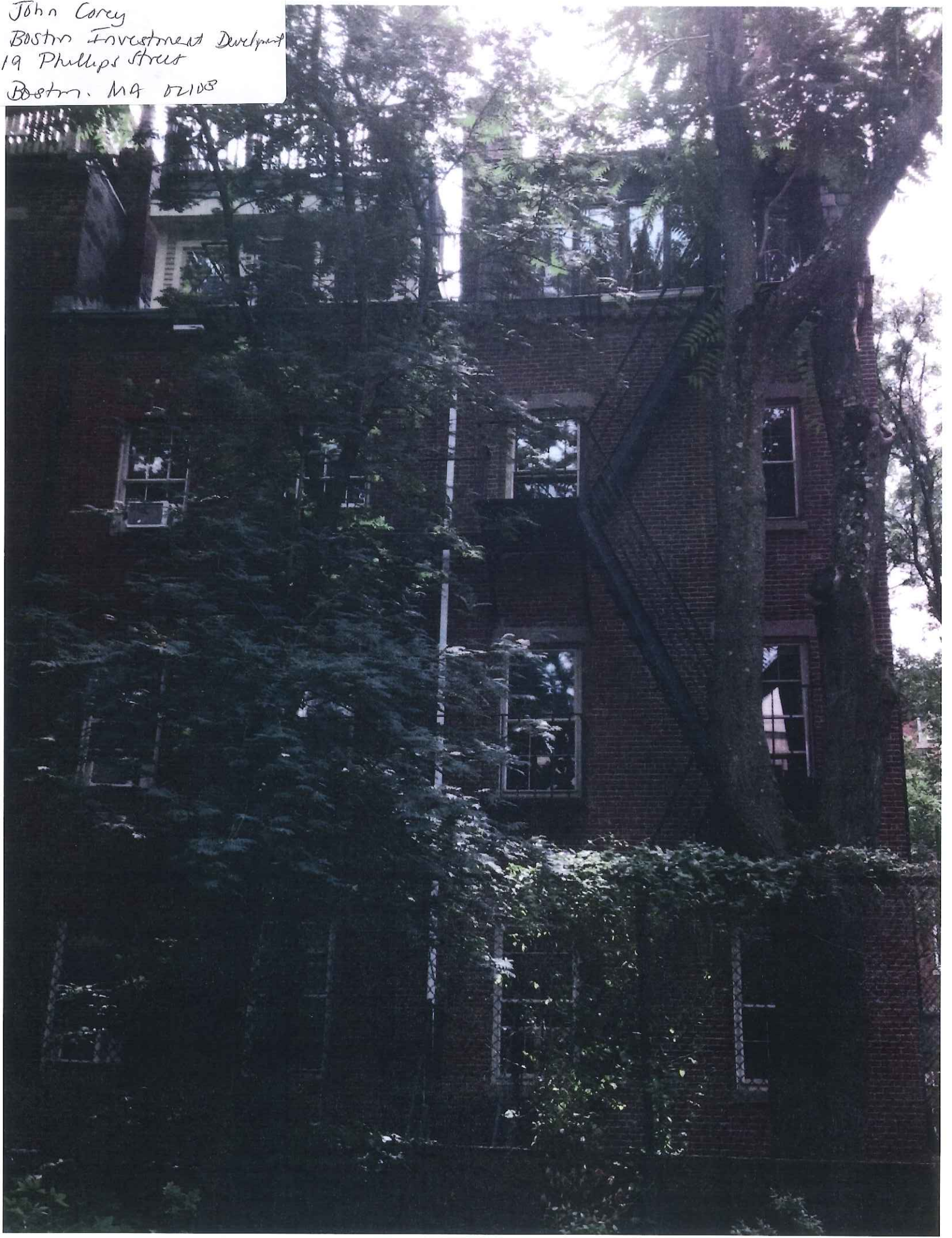
John Corey
Boston Investment Development
19 Phillips Street
Boston, MA 02108



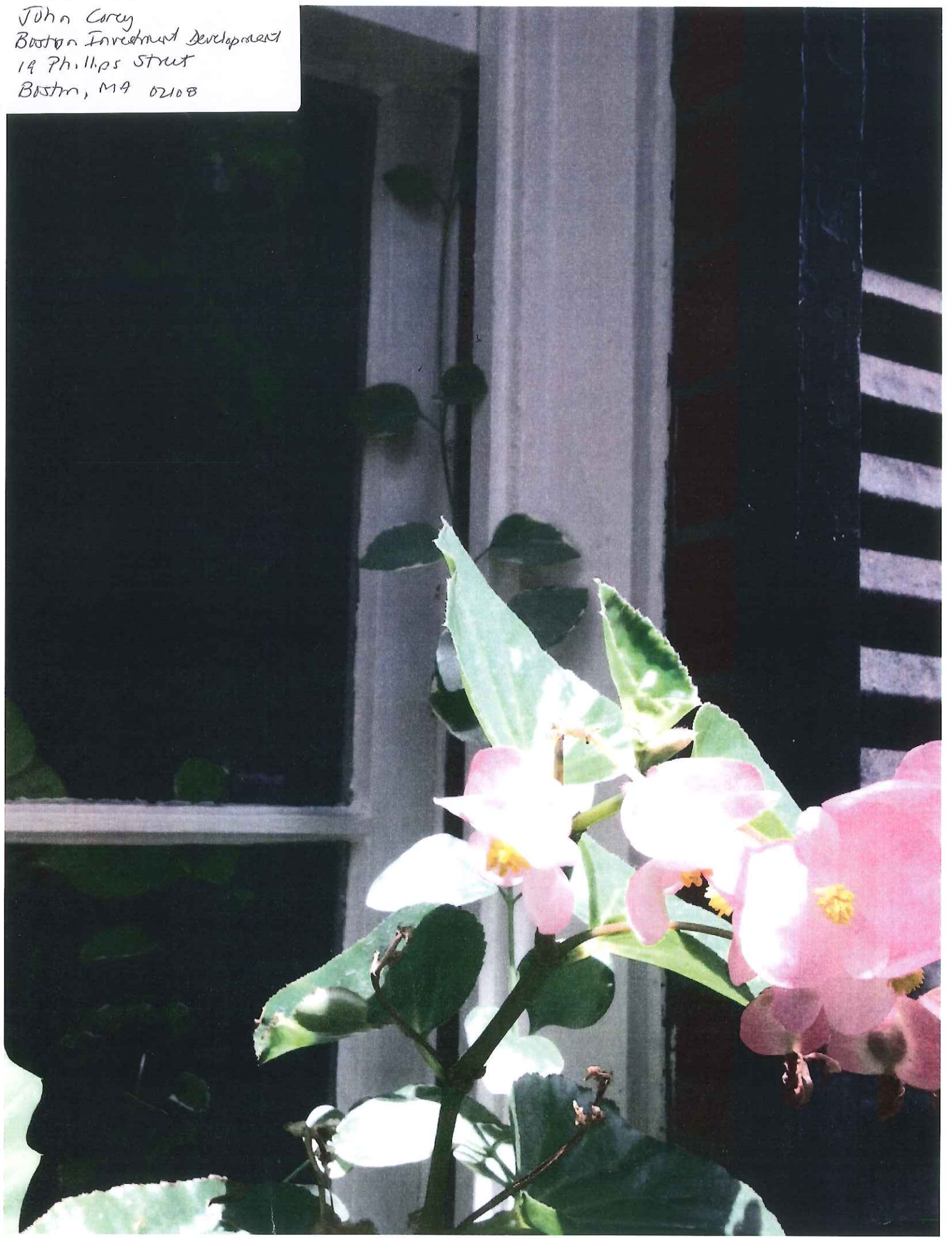
John Corey
Boston Investment Development
19 Phillips Street
Boston, MA 02108 Front



John Corey
Boston Investment Development
19 Phillips Street
Boston, MA 02108

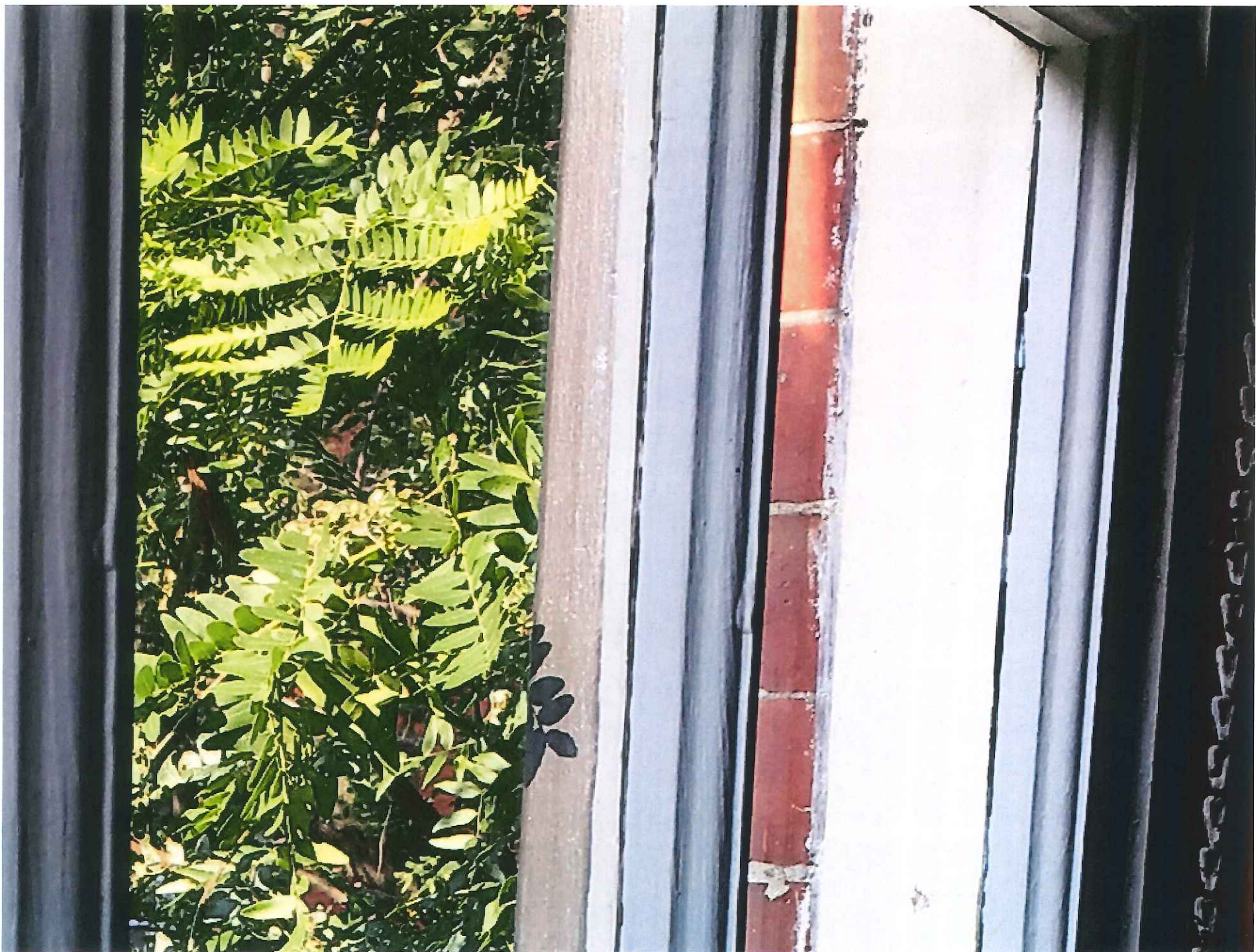


John Carey
Boston Investment Development
19 Phillips Street
Boston, MA 02108







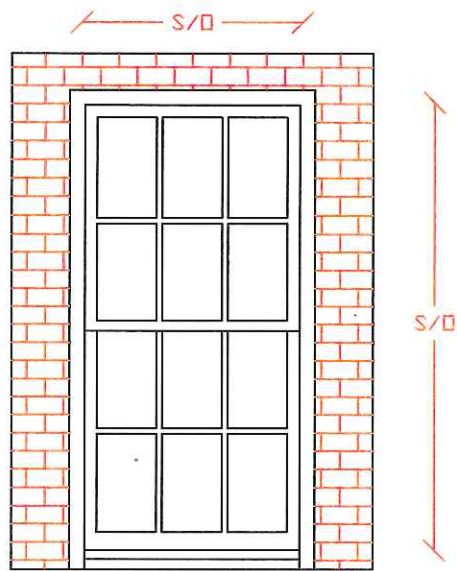




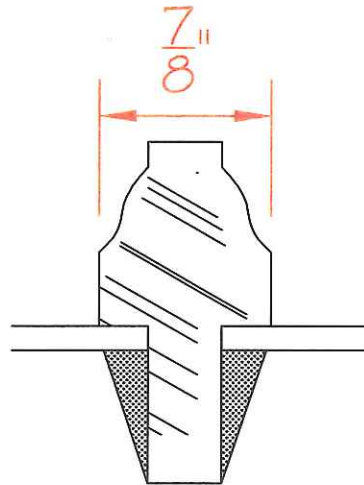
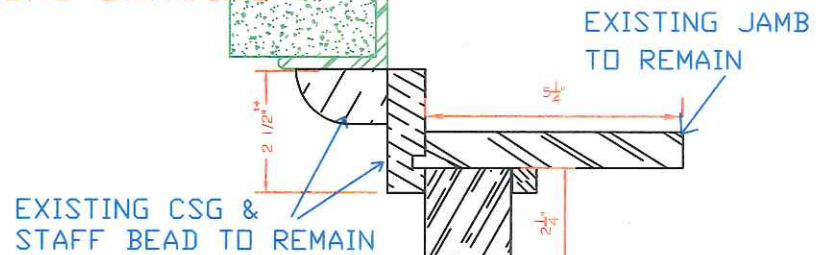




SSB WT & CHORD SASH - EXISTING CONDITIONS DRAWING

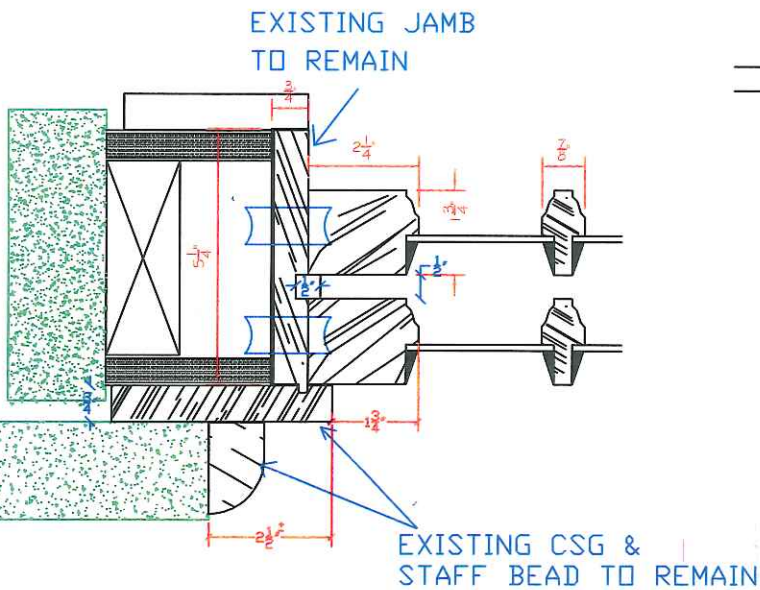
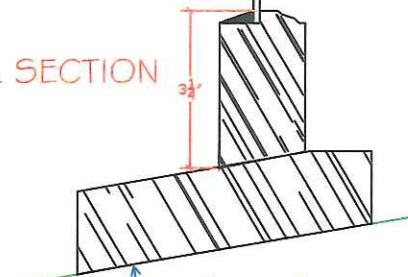


HEAD SECTION



T.D.L. BAR
FULL SCALE

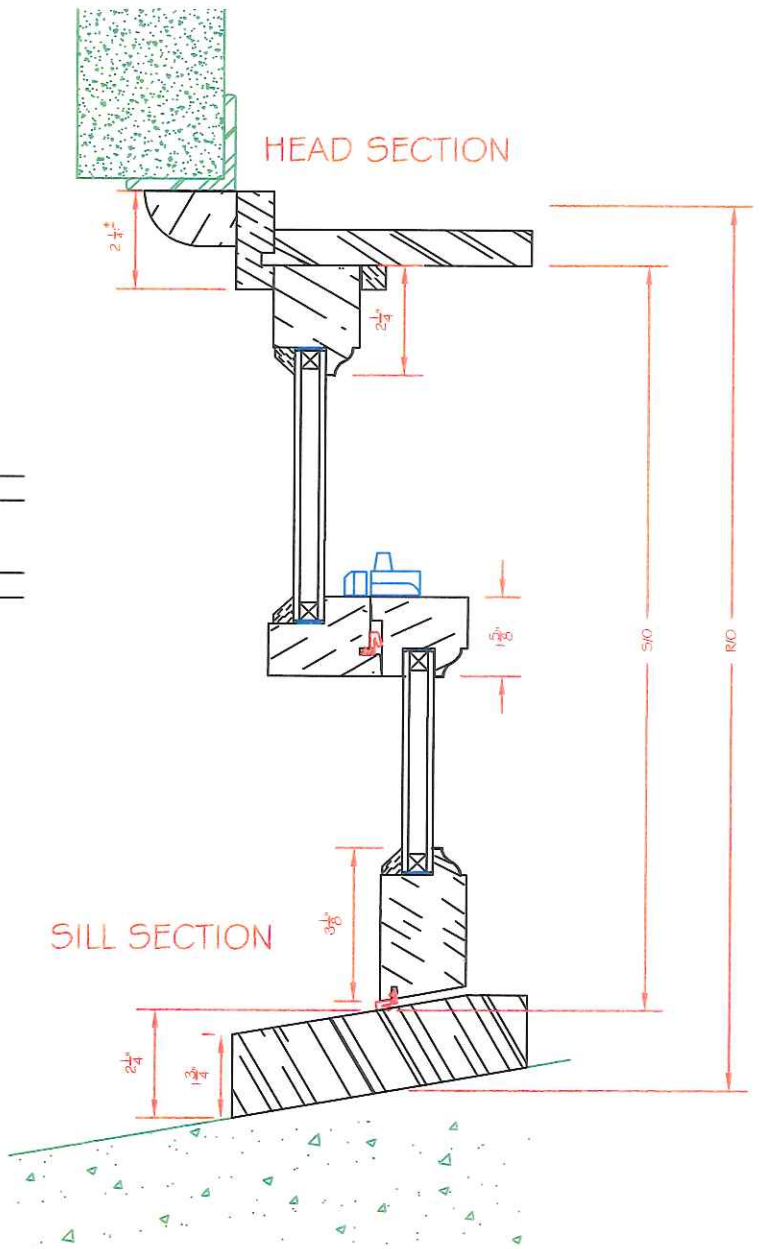
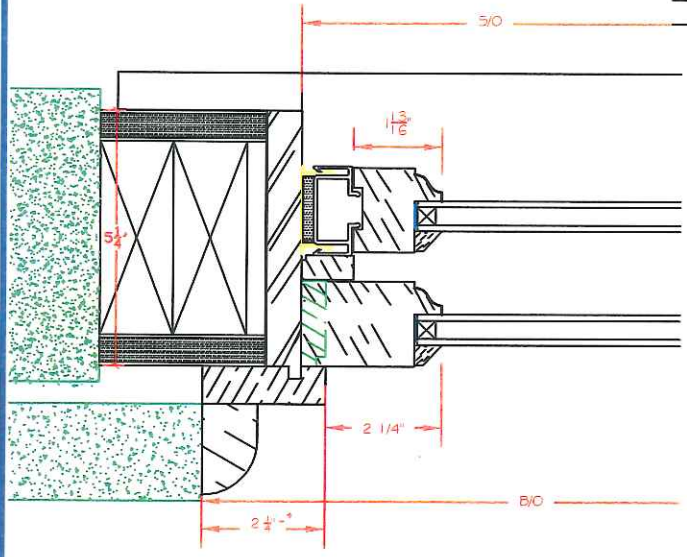
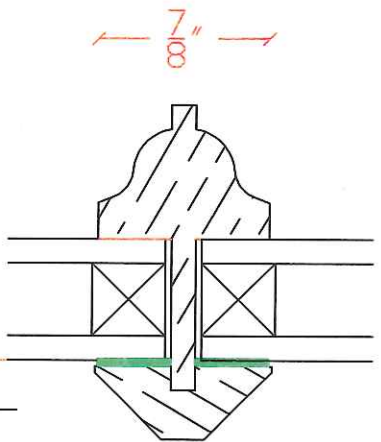
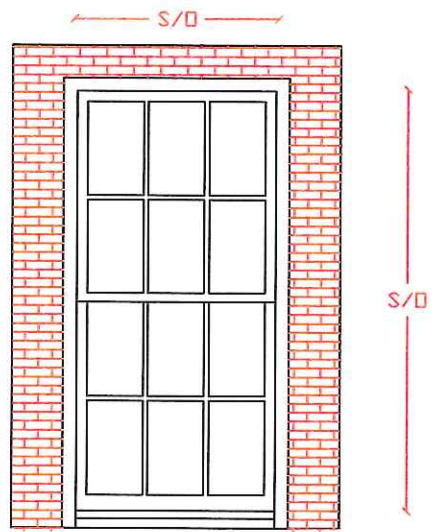
SILL SECTION



John Corey
Boston Investment Development
19 Phillips Street
Boston, MA 02108

John Corey
 Boston Investment Development
 19 Phillips Street
 Boston, MA 02108

JB PROPER BOSTONIAN SH WINDOW UNIT



DEALER: JB SASH & DOOR CO., INC.

NUMBER:

DRAWN: R.L.B.

DATE: 02/26/16

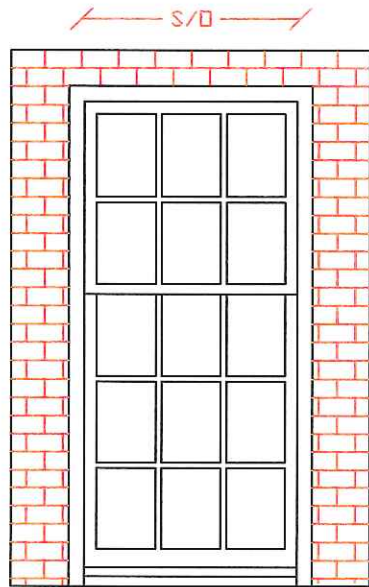
CHECK:

JBPB SH REPL/UNIT - 6/6

SHEET 1

OF 1

SSB WT & CHORD SASH - EXISTING CONDITIONS DRAWING

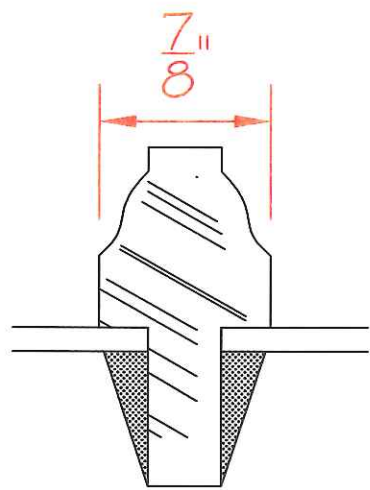


S/D
S/D

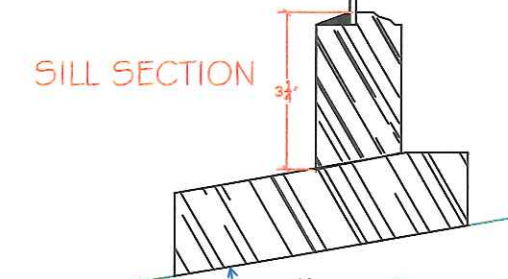


EXISTING CSG & STAFF BEAD TO REMAIN

EXISTING JAMB TO REMAIN

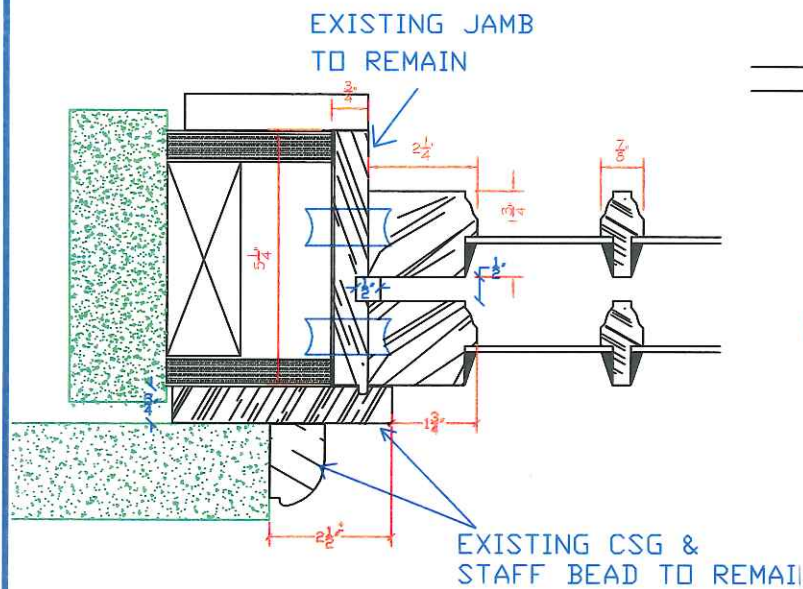


T.D.L. BAR FULL SCALE



SILL SECTION

EXISTING SILL TO REMAIN



EXISTING JAMB TO REMAIN

EXISTING CSG & STAFF BEAD TO REMAIN

John Corey
Boston Investment Development
19 Phillips Street
Boston, MA 02108

SHEET 1
OF 1

EXISTING CONDITIONS

DEALER: JB SASH & DOOR CO., INC.
NUMBER: DATE: 05/25/16
DRAWN: R.L.B. CHECK:

John Corey
 Boston Investment Development
 19 Phillips Street
 Boston, MA 02108

JB PROPER BOSTONIAN SH WINDOW UNIT

SHEET 1

OF 1

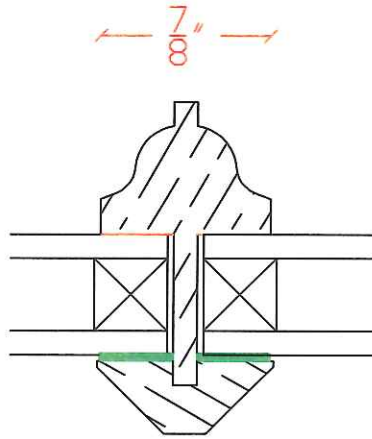
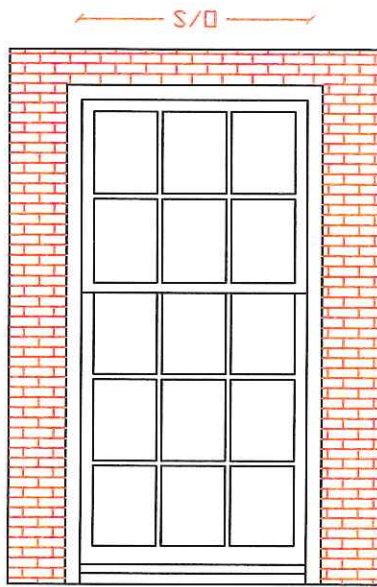
JBPB SH-REPL WIN

6/9 LAYOUT

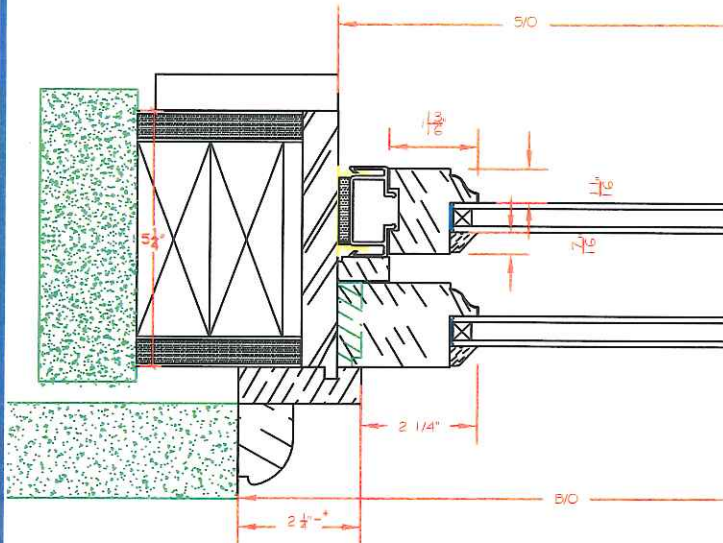
DEALER: JB SASH & DOOR CO., INC.

NUMBER: DATE: 06/14/16

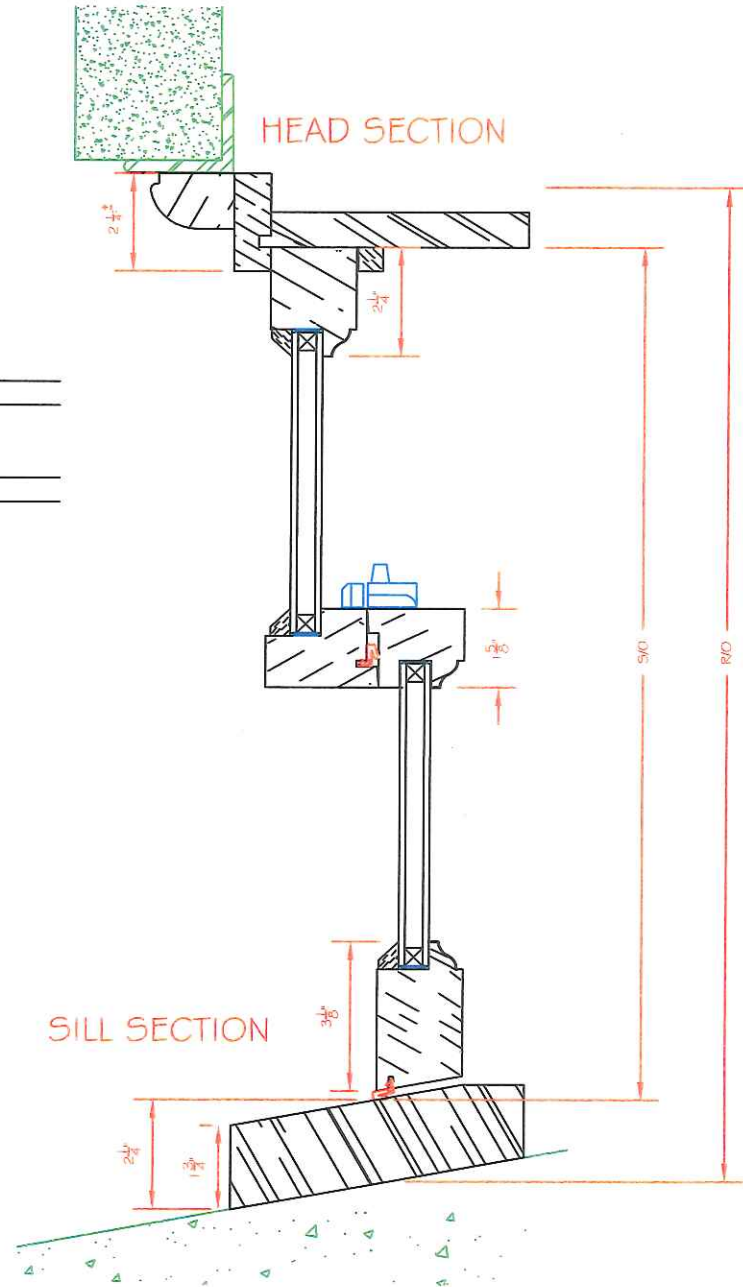
DRAWN: R.L.B. CHECK:



T.D.L. BAR
 FULL SCALE



JAMB SECTION



HEAD SECTION

SILL SECTION