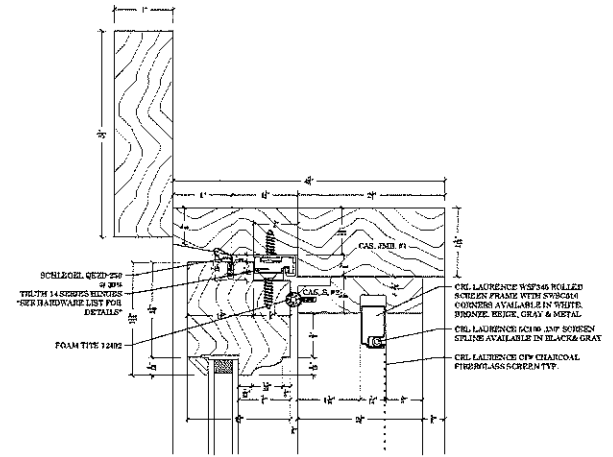


EXISTING 57 MT VERMONT ST UNIT #5



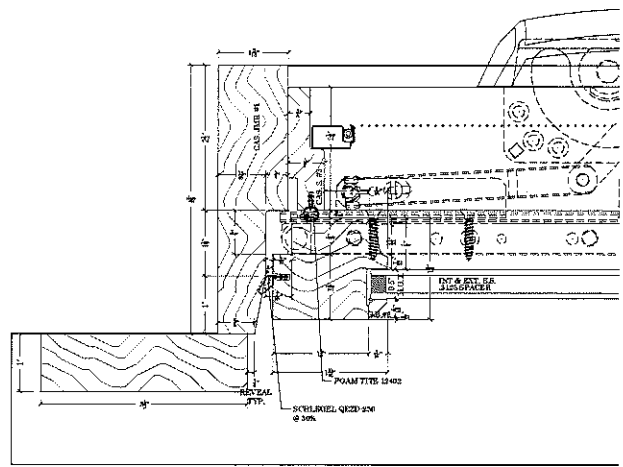


EXISTING ST. MT. VERNON ST. UNIT #5

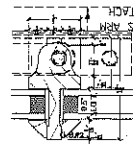


D4  
2B  
DETAIL  
SCALE 1/4"

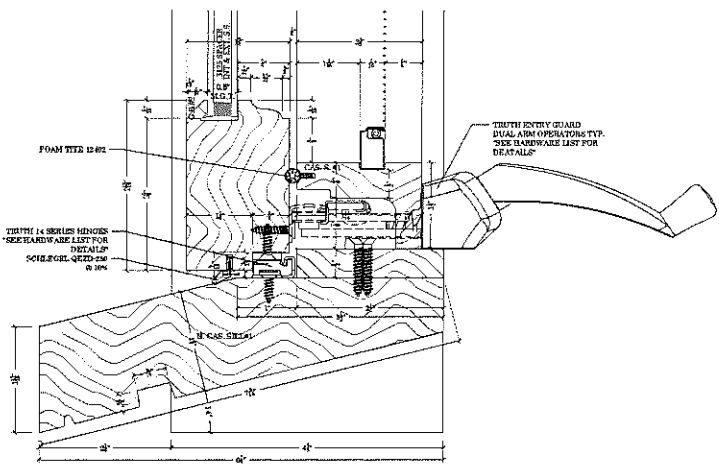
CRL LAURENCE WSP346 ROLLED  
SCREENS FRAME WITH SPECIALLY  
COINING AVAILABLE IN WHITE,  
BRONZE, RED, GRAY & METAL  
CRL LAURENCE 60140 1/2" SCREEN  
SPRING AVAILABLE IN BLACK & GRAY  
CRL LAURENCE 60140 CHARCOAL  
FIBERGLASS SCREEN TYP.



D6  
2B  
DETAIL  
SCALE 1/4"



D7  
2B  
DETAIL  
SCALE 1/4"



D9  
2B  
DETAIL  
SCALE 1/4"

TRUTH ENTRY GUARD  
DUAL ARM OPERATORS TYP.  
SEE HARDWARE LIST FOR  
DETAILS



**BOSTON**  
**SASH & MILLWORK**  
607 SPRING STREET  
NORTH BOSTON, MA 02704  
PHONE # (617) 880-8808  
FAX # (617) 880-8828  
WWW.BOSTONSASH.COM

SUB./REVISION	
1	2/22/2017 FOR APPROVAL
2	3/16/2017 FOR APPROVAL

PROJECT	17-019-008 LADLAW
QUALITY	WINDOWS CASPIENT DETAILS
DESIGNER	G.A.F.C.
ARCHITECT	
PROJECT	PAUL SIPES
DESIGNED BY	KEITH RUTHAN
DATE	3/22/2017
SCALE	3A
NOTED	

