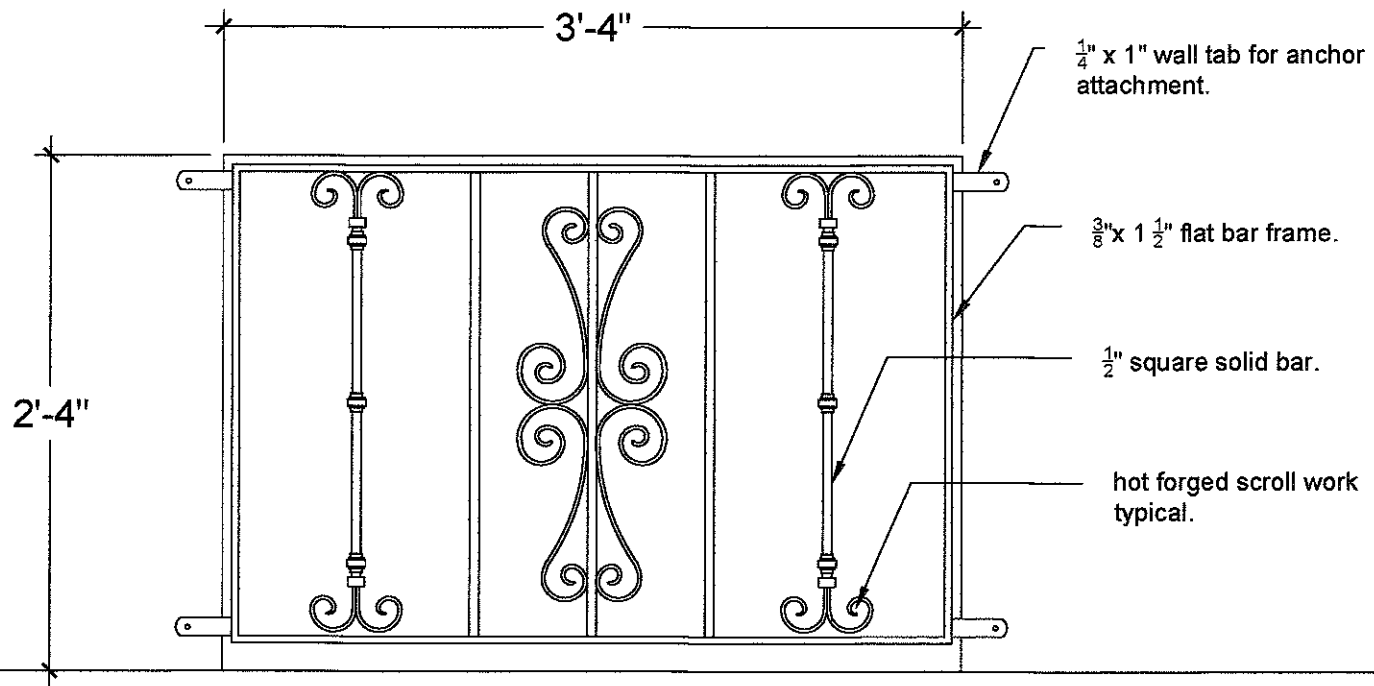


# Exhibit A



WOVENSTEEL  
 DISTINCTIVE IRONWORK  
 E. BOSTON MA .  
 617.567.5166

5/2/17
PROJECT: 62 Pinckney ST
CLIENT: Lynne Gleason
JOB: front basement window
#2.

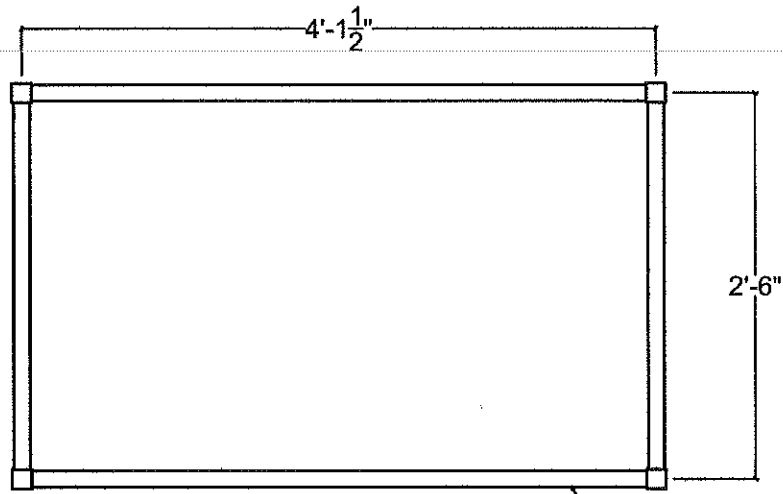






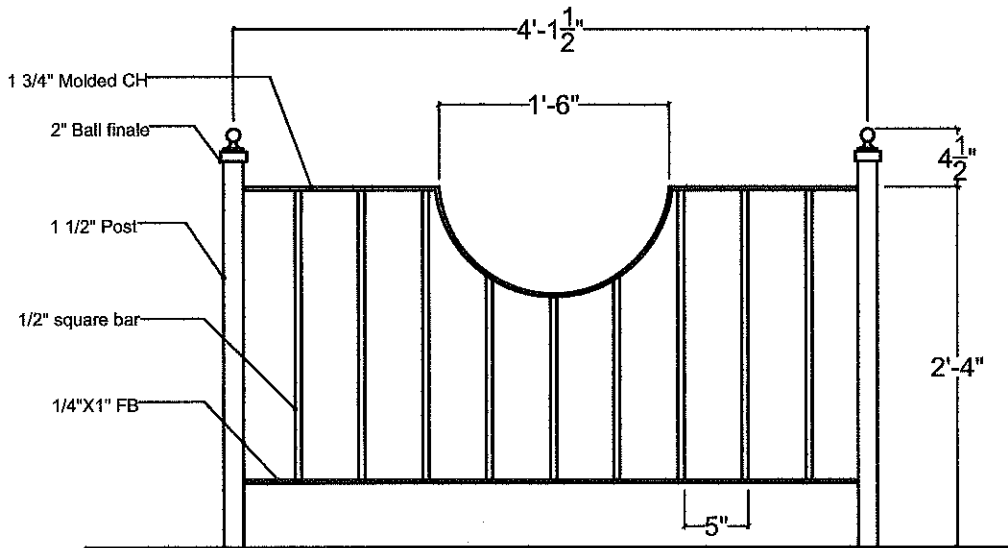
# **Exhibit B**

Notes:



Plan view

Length and width  
may vary according  
to site layout



Elevation, Curve

WOVENSTEEL  
DISTINCTIVE IRONWORK  
E. BOSTON MA .  
617.567.5166

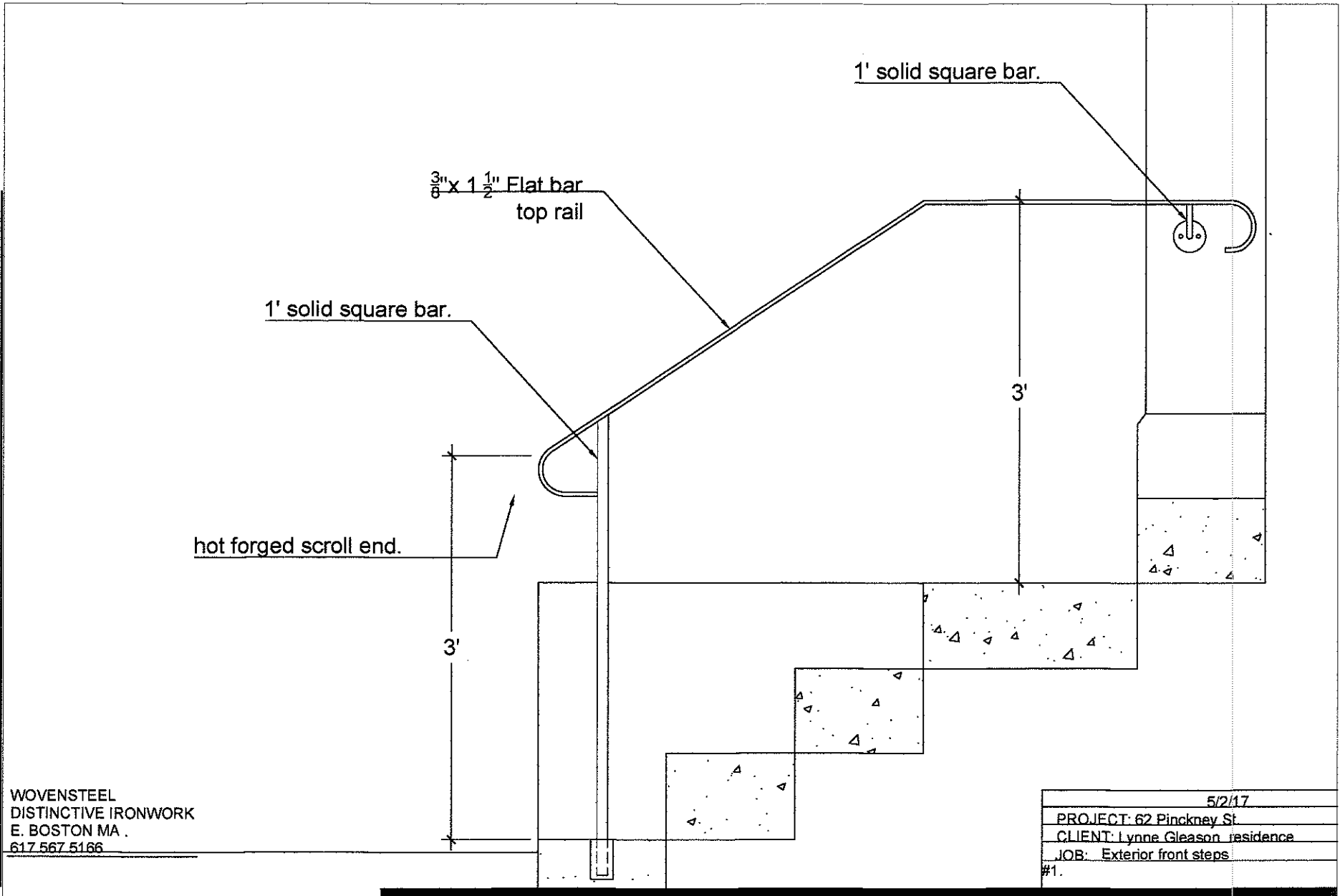
1/3/11
PROJECT: Neighborhood ironwork
CLIENT: Beacon Hill Tree Assoc.
JOB: Tree Guards
#1. Curve







# **Exhibit C**



1' solid square bar.

$\frac{3}{8}$ " x 1  $\frac{1}{2}$ " Flat bar  
top rail

1' solid square bar.

hot forged scroll end.

3'

3'

WOVENSTEEL  
DISTINCTIVE IRONWORK  
E. BOSTON MA .  
617.567.5166

5/2/17
PROJECT: 62 Pinckney St.
CLIENT: Lynne Gleason residence
JOB: Exterior front steps
#1.



